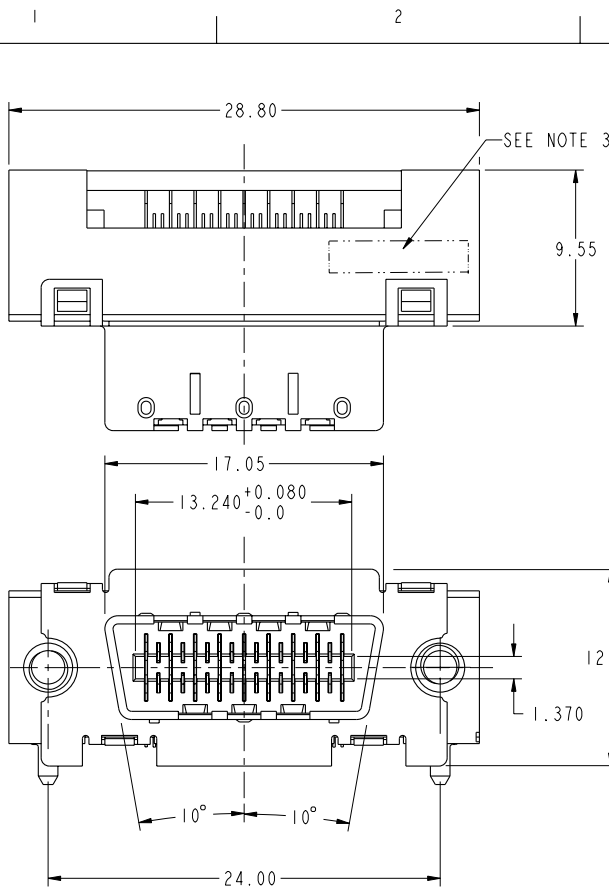
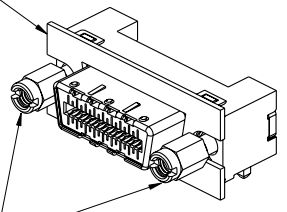




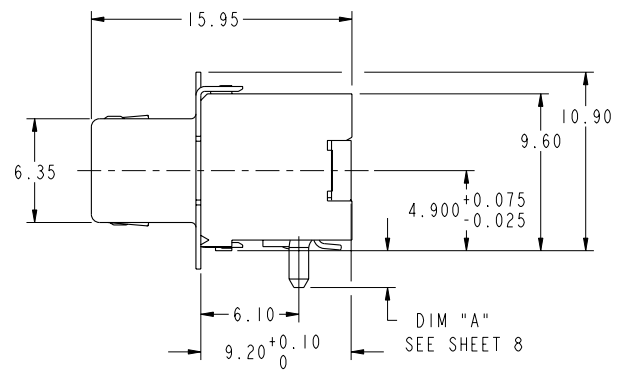
Copyright FCI.



AVAILABLE WITH OR WITHOUT EMI GASKET.
 FOAM GASKET P/N 10019396-001 CAN BE PURCHASED SEPARATELY.
 METAL GASKET P/N 10043517 MUST BE PURCHASED ALREADY ASSEMBLED.



P/N 10009634-001, 2X
 THREADED STANDOFFS SOLD SEPARATELY



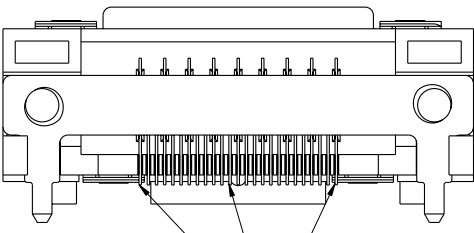
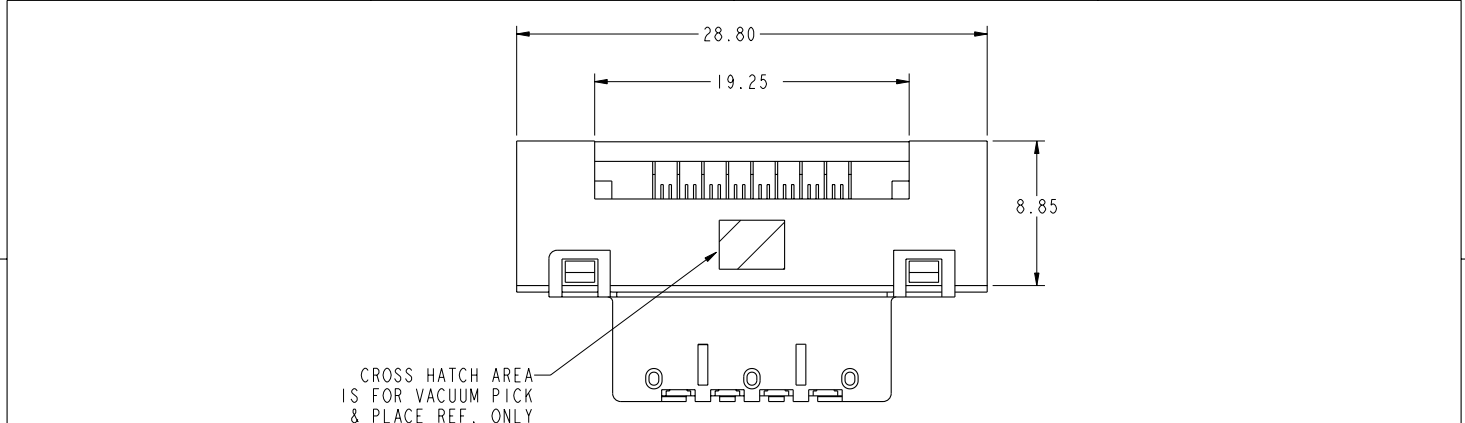
rev	ecn no	dr	date
D	V04-0460	DAI	2004/06/08
E	V04-0830	TAB	2004/08/18
F	V04-1005	DAI	2004/10/06
G	V05-0063	TAB	2005/02/14
H	105-0141	HVN	2005/08/12
J	06-0123	HVN	2006/07/26
K	08-0048	RPK	2008/03/28

www.fciconnect.com		surface 3.2 / ASME Y14.5	tolerance std ASME Y14.5	projection	MM
Dr G. PETERS 2003/08/13		ANGULAR	0.X ±.30	size A4	Scale 3:1
Eng D. BRANN 2003/08/13		LINEAR	0.XX ±.10	ECN 108-0048	
Chr RAMESH P K 2008/03/27		0° ±2°	0.XXX ±.050	Spec ref	
Appr RAMESH P K 2008/03/27		Product family EyeMax (Im)			
FCI		4X R/A THUMBSCREW RECPT ASSEMBLY, w/ 7 KEY SLOTS		diag no 10009629	Rev. K
catalog no		CUSTOMER		sheet 1 of 9	

REV F - 2004-04-17

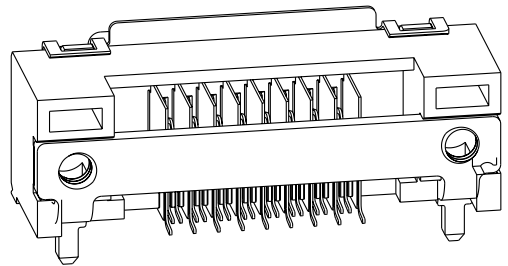


Copyright FCI.



0.13 D

COPLANARITY MEASUREMENT TO BE TAKEN AT THE BOTTOM MOST POINT ON CONTACT TAILS
COPLANARITY ZONE IS BELOW DATUM D.

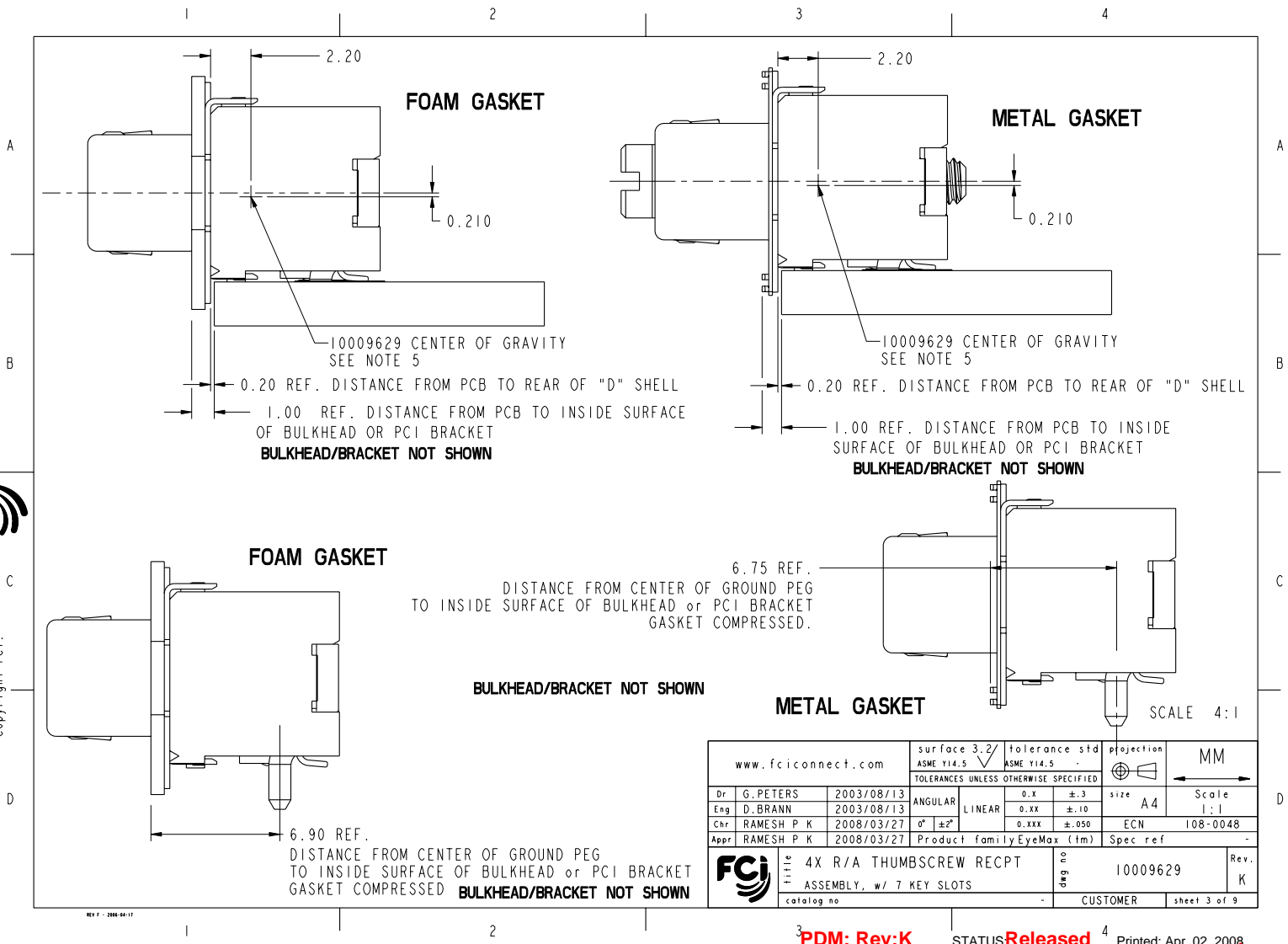


www.fciconnect.com		surface 3.2 ASME Y14.5	tolerance std ASME Y14.5	projection MM
TOLERANCES UNLESS OTHERWISE SPECIFIED		ANGULAR	LINEAR	size A4
Dr	G. PETERS	2003/08/13	0.X ±.30	Scale 3:1
Eng	D. BRANN	2003/08/13	0.XX ±.10	ECN 108-0048
Chr	RAMESH P K	2008/03/27	0.XXX ±.050	Spec ref -
Appr	RAMESH P K	2008/03/27	Product family EyeMax (Im)	
FCI		title 4X R/A THUMBSCREW RECPT ASSEMBLY, w/ 7 KEY SLOTS		Rev. K
catalog no		-		10009629
		CUSTOMER		sheet 2 of 9

REV F - 2006-04-17



Copyright FCI.

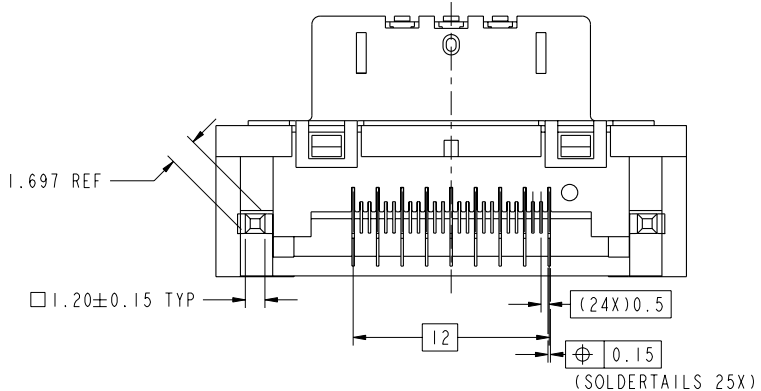


www.fciconnect.com		surface 3.2 ASME Y14.5	tolerance std ASME Y14.5	projection	MM
		TOLERANCES UNLESS OTHERWISE SPECIFIED			
Dr	G. PETERS	2003/08/13	ANGULAR	0.X ±.3	size A4
Eng	D. BRANN	2003/08/13	LINEAR	0.XX ±.10	Scale 1:1
Chr	RAMESH P K	2008/03/27	0° ±2°	0.XXX ±.050	ECN 108-0048
Appr	RAMESH P K	2008/03/27	Product family	EyeMax (Im)	Spec ref -
		title		4X R/A THUMBSCREW RECPT ASSEMBLY, w/ 7 KEY SLOTS	Rev. K
		catalog no	10009629		sheet 3 of 9

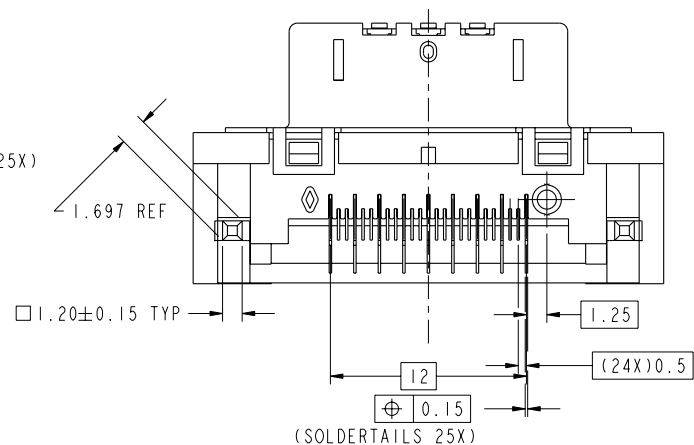


Copyright FCI.

REV 1 - 2006-03-17



10009629-1XX0XX PRODUCT WITHOUT PEGS

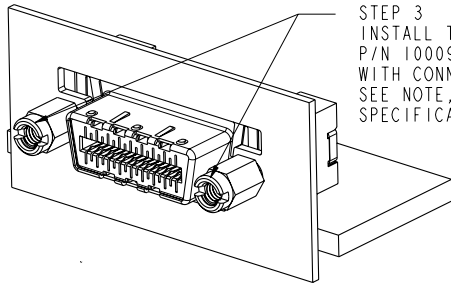


10009629-1XX1XX PRODUCT WITH PEGS

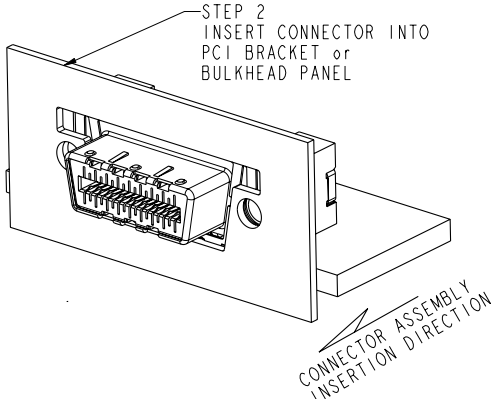
www.fciconnect.com		surface 3.2/ ASME Y14.5	tolerance std ASME Y14.5	projection MM
TOLERANCES UNLESS OTHERWISE SPECIFIED		ANGULAR	LINEAR	size A4
Dr G. PETERS	2003/08/13	0° ± 2°	0.X ± .3 0.XX ± .10 0.XXX ± .050	Scale 3:1
Eng D. BRANN	2003/08/13			ECN 108-0048
Chr RAMESH P K	2008/03/27			Spec ref -
Appr RAMESH P K	2008/03/27	Product family EyeMax (Im)		
	Title 4X R/A THUMBSCREW RECPT ASSEMBLY, w/ 7 KEY SLOTS		dwg no 10009629	Rev. K
catalog no		CUSTOMER		sheet 4 of 9



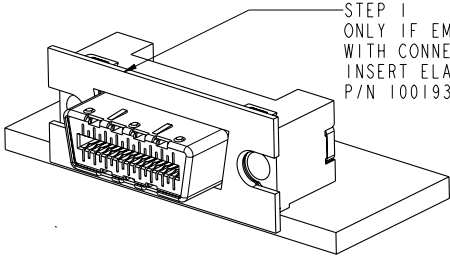
Copyright FCI.



STEP 3
INSTALL THREADED STANDOFFS
P/N 10009634-001, NOT SUPPLIED
WITH CONNECTOR ASSEMBLY
SEE NOTE, SHEET 8, FOR TORQUE
SPECIFICATION.

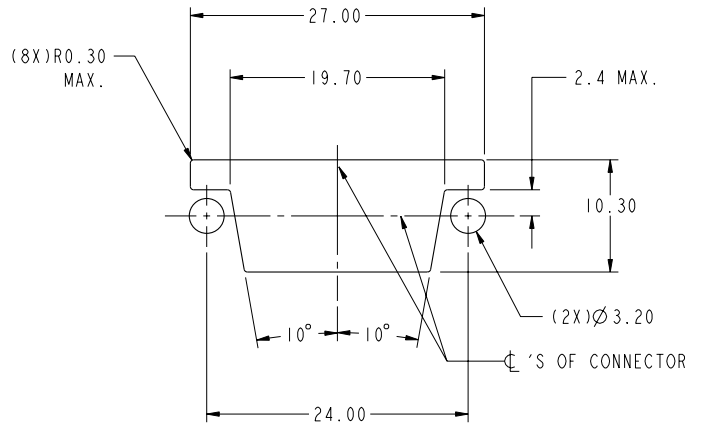


STEP 2
INSERT CONNECTOR INTO
PCI BRACKET or
BULKHEAD PANEL



STEP 1
ONLY IF EMI GASKET NOT SUPPLIED
WITH CONNECTOR ASSEMBLY,
INSERT ELASTOMERIC EMI GASKET,
P/N 10019396-001.

CONNECTOR APPLICATION TO PCI BRACKET/PANEL



RECOMMENDED PANEL CUTOUT

www.fciconnect.com			surface 3.2 ASME Y14.5	tolerance std ASME Y14.5	projection MM	Scale 1:1	
TOLERANCES UNLESS OTHERWISE SPECIFIED			ANGULAR	LINEAR	size A4	ECN 108-0048	
Dr	G. PETERS	2003/08/13	0.X	±.30	Product family EyeMax (Im)		
Eng	D. BRANN	2003/08/13	0.XX	±.10	Spec ref -		
Chr	RAMESH P K	2008/03/27	0°	±2°	-		
Appr	RAMESH P K	2008/03/27	-		-		
FCI		4X R/A THUMBSCREW RECPT ASSEMBLY, w/ 7 KEY SLOTS		cat no	10009629	Rev. K	
-		CUSTOMER		sheet 5 of 9			

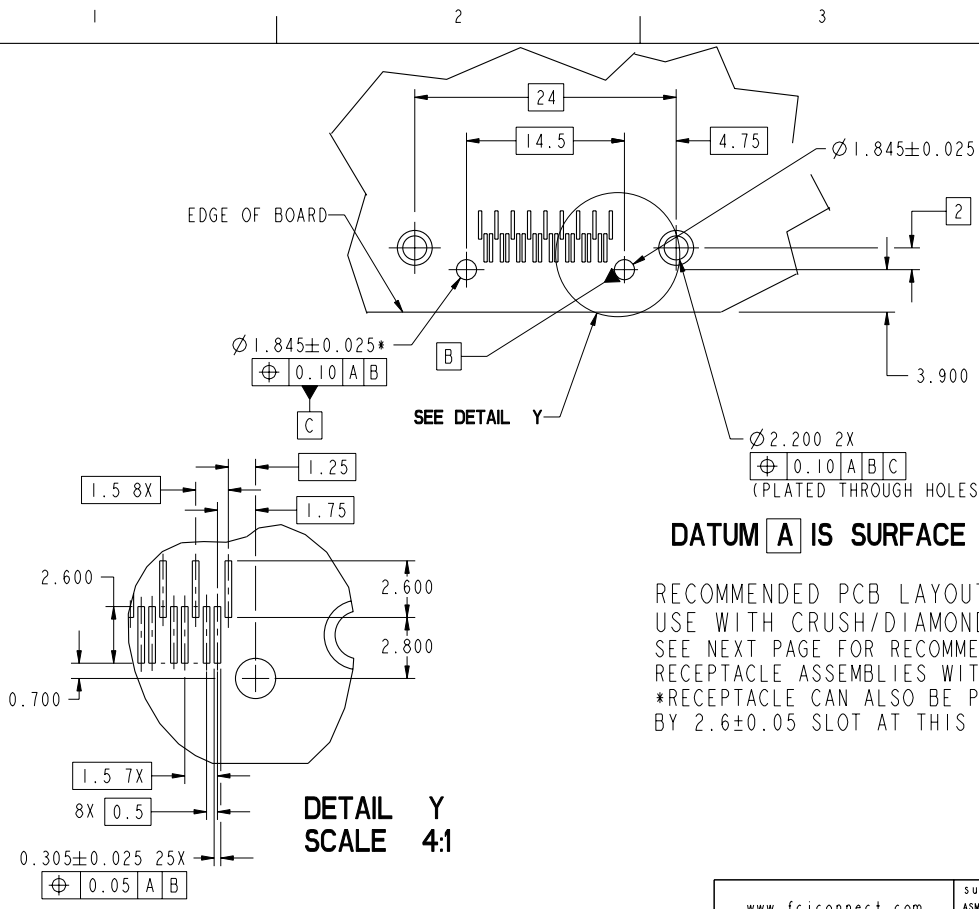
PDM: Rev:K

STATUS Released

Printed: Apr 02, 2008



Copyright FCI.



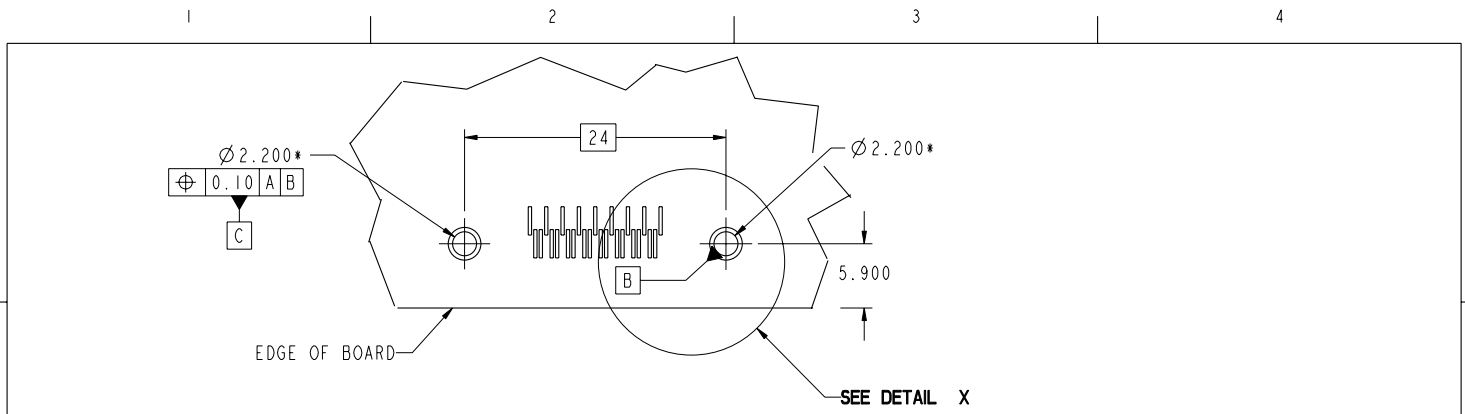
RECOMMENDED PCB LAYOUT, COMPONENT SIDE FOR USE WITH CRUSH/DIAMOND PEGS (10009629-1XX1XX) SEE NEXT PAGE FOR RECOMMENDED PCB LAYOUT FOR RECEPTACLE ASSEMBLIES WITHOUT CRUSH/DIAMOND PEGS. *RECEPTACLE CAN ALSO BE PLACED WITH 1.82±0.05/-0.0 BY 2.6±0.05 SLOT AT THIS LOCATION ON THE PCB

www.fciconnect.com		surface 3.2/ ASME Y14.5	tolerance std ASME Y14.5	projection MM
Dr G. PETERS 2003/08/13		TOLERANCES UNLESS OTHERWISE SPECIFIED		size A4
Eng D. BRANN 2003/08/13		ANGULAR	LINEAR	Scale 1:1
Chr RAMESH P K 2008/03/27		0° ±2°	0.X ±.30 0.XX ±.10 0.XXX ±.050	ECN 108-0048
Appr RAMESH P K 2008/03/27		Product family EyeMax (Im)		Spec ref -
FCI		Title 4X R/A THUMBSCREW RECPT ASSEMBLY, w/ 7 KEY SLOTS		Rev. K
catalog no		-		10009629
		CUSTOMER		sheet 6 of 9

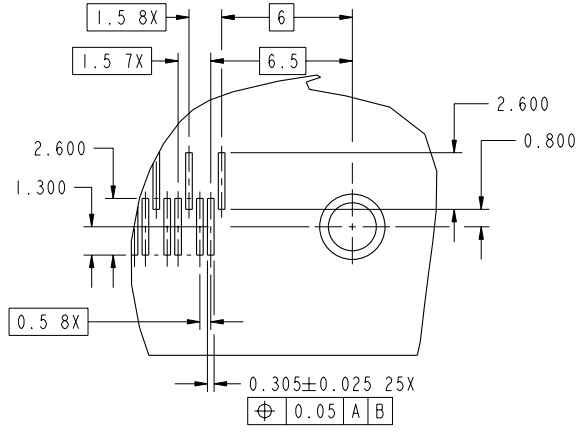
REV F - 2006-04-17



Copyright FCI.



DATUM A IS SURFACE OF PCB



DETAIL X
SCALE 4:1

RECOMMENDED PCB LAYOUT, COMPONENT SIDE FOR USE WITHOUT CRUSH/DIAMOND PEGS (10009629-1XX0XX)
 SEE PREVIOUS PAGE FOR RECOMMENDED PCB LAYOUT FOR RECEPTACLE ASSEMBLIES WITH CRUSH/DIAMOND PEGS.
 *PLATED THROUGH HOLES

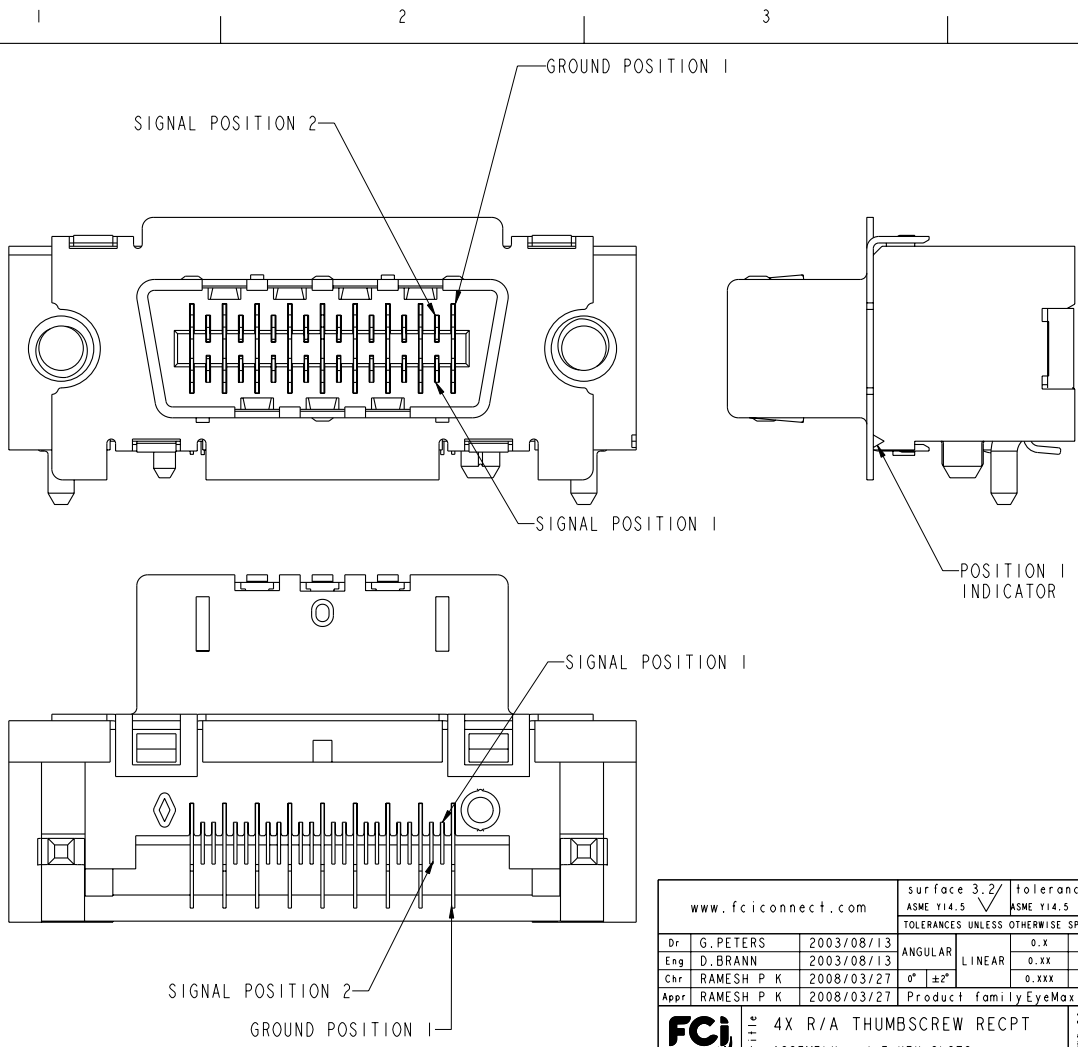
www.fciconnect.com		surface 3.2/ ASME Y14.5	tolerance std ASME Y14.5	projection MM
TOLERANCES UNLESS OTHERWISE SPECIFIED		ANGULAR	LINEAR	size A4
Dr G. PETERS	2003/08/13	0°	0.X ±.30	Scale 1:1
Eng D. BRANN	2003/08/13	0° ±2°	0.XX ±.10	ECN 108-0048
Chr RAMESH P K	2008/03/27		0.XXX ±.050	Spec ref -
Appr RAMESH P K	2008/03/27	Product family EyeMax (Im)		
FCI		Title 4X R/A THUMBSCREW RECPT ASSEMBLY, w/ 7 KEY SLOTS		Rev. K
catalog no		-		10009629
		CUSTOMER		sheet 7 of 9

REV 1 - 2006-04-17



Copyright FCI.

REV 1 - 2006-03-17



www.fciconnect.com		surface 3.2 ASME Y14.5	tolerance std ASME Y14.5	projection MM
TOLERANCES UNLESS OTHERWISE SPECIFIED		ANGULAR	LINEAR	size A4
Dr G. PETERS	2003/08/13	0° ±2°	0.X ±.30 0.XX ±.10 0.XXX ±.050	Scale 1:1
Eng D. BRANN	2003/08/13			ECN 108-0048
Chr RAMESH P K	2008/03/27			Spec ref -
Appr RAMESH P K	2008/03/27	Product family EyeMax (Im)		
FCI		4X R/A THUMBSCREW RECPT ASSEMBLY, w/ 7 KEY SLOTS		Rev. K
catalog no		-		10009629
		CUSTOMER		sheet 8 of 9

3 PDM: Rev:K STATUS Released 4 Printed: Apr 02, 2008



Copyright FCI.

PRODUCT NUMBER
10009629-1XXXX

10009629-1XXXXYY

- SOLDERTAIL PLATING
BLANK-TIN-LEAD
LF-LEAD FREE (SEE NOTE 2)
- KEYING OPTIONS
0-NONE
- PACKAGING
1-TAPE & REEL
2-TRAY
3-TAPE & REEL WITH THREADED STAND-OFFS INCLUDED
(PACKAGED SEPERATELY). 2 PER CONNECTOR.
4-TRAY WITH THREADED STAND-OFFS INCLUDED
(PACKAGED SEPERATELY). 2 PER CONNECTOR.
- PEGS
0-NONE
1-CRUSH/DIAMOND PEGS
- PCB THICKNESS
1-1.6mm
2-2.4mm
3-4.0mm
- EMI GASKET
0-WITH FOAM GASKET
1-WITHOUT GASKET
2-WITH METAL GASKET (NOT TOOLED)
- PLATING
GOLD OVER NICKEL IN CONTACT AREA

PRODUCT NUMBER	BOARD THICKNESS	DIM A
10009629-1X1XXX	1.6mm	2.3mm
10009629-1X2XXX	2.4mm	3.1mm
10009629-1X3XXX	4.0mm	4.7mm

CONNECTOR NOTES:

1. HOUSING MATERIAL: UL94 V-0 LCP RESIN.
SIGNAL PIN MATERIAL: COPPER ALLOY.
GROUND CONTACT MATERIAL: COPPER ALLOY.
2. PLATING: LEAD FREE SOLDER TAILS 2μm (80μin) MIN MATTE TIN
OVER 1.27μm (50μin) MIN NICKEL UNDERPLATE.
3. P/N AND DATE CODE TO APPEAR
ON THIS SURFACE.
4. PRODUCT SPECIFICATION GS-12-209.
APPLICATION SPECIFICATION GS-20-025.
5. CONNECTOR WEIGHT = 5.465 grams
6. PACKAGING SPECIFICATION GS-14-794. PACKAGING OF LEAD FREE
PRODUCTS MEETS LABELING AND PACKAGING SPECIFICATION GS-14-920.
7. MAXIMUM PANEL THICKNESS 1.70mm
8. MAXIMUM TORQUE 0.45 N-m (4.0 lbf-in)

PCB NOTES:

9. ALL DIMENSIONS ARE BASIC UNLESS OTHERWISE
SPECIFIED.
10. ALL HOLE DIAMETERS ARE FINISHED HOLE SIZE
11. MATES WITH EYEMAX® PLUG 58443 (WITHOUT PCB), 58638
(WITH UNEQUALIZED PCB) OR 10026692 (WITH EQUALIZED PCB).
12. LEAD FREE PRODUCTS MEET EUROPEAN UNION DIRECTIVES AND
OTHER COUNTRY REGULATIONS AS DESCRIBED IN GS-22-008.
13. THE HOUSING WILL WITHSTAND EXPOSURE TO 260°C PEAK TEMPERATURE
FOR 15 SECONDS IN A CONVECTION, INFRARED OR VAPOR PHASE REFLOW
OVEN.

www.fciconnect.com		surface 3.2 ASME Y14.5	tolerance std ASME Y14.5	projection MM
		TOLERANCES UNLESS OTHERWISE SPECIFIED		
Dr	G. PETERS	2003/08/13	ANGULAR	0.X ±.30
Eng	D. BRANN	2003/08/13	LINEAR	0.XX ±.10
Chr	RAMESH P K	2008/03/27	0° ±2°	0.XXX ±.050
Appr	RAMESH P K	2008/03/27	Product family	EyeMax (Im)
FCI		4X R/A THUMBSCREW RECPT ASSEMBLY, w/ 7 KEY SLOTS		Rev. K
catalog no		-		sheet 9 of 9
		-		CUSTOMER

REV F - 2006-04-17