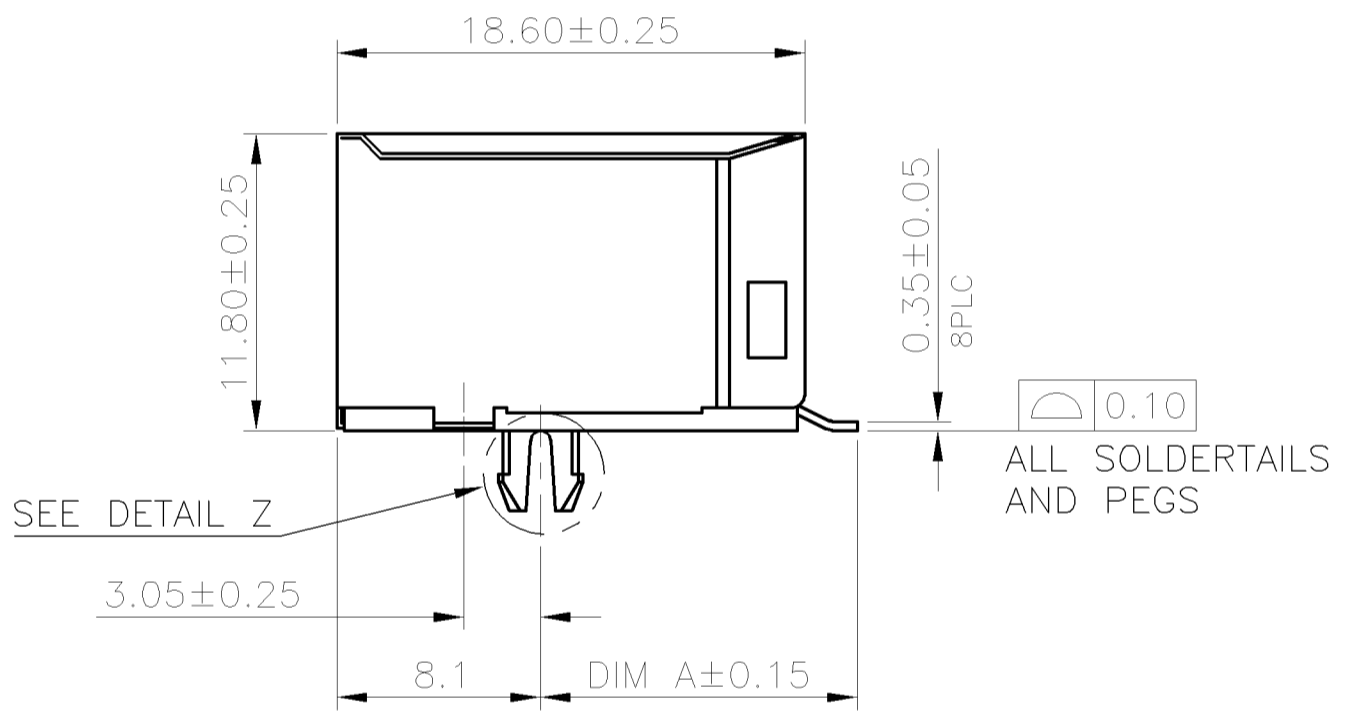
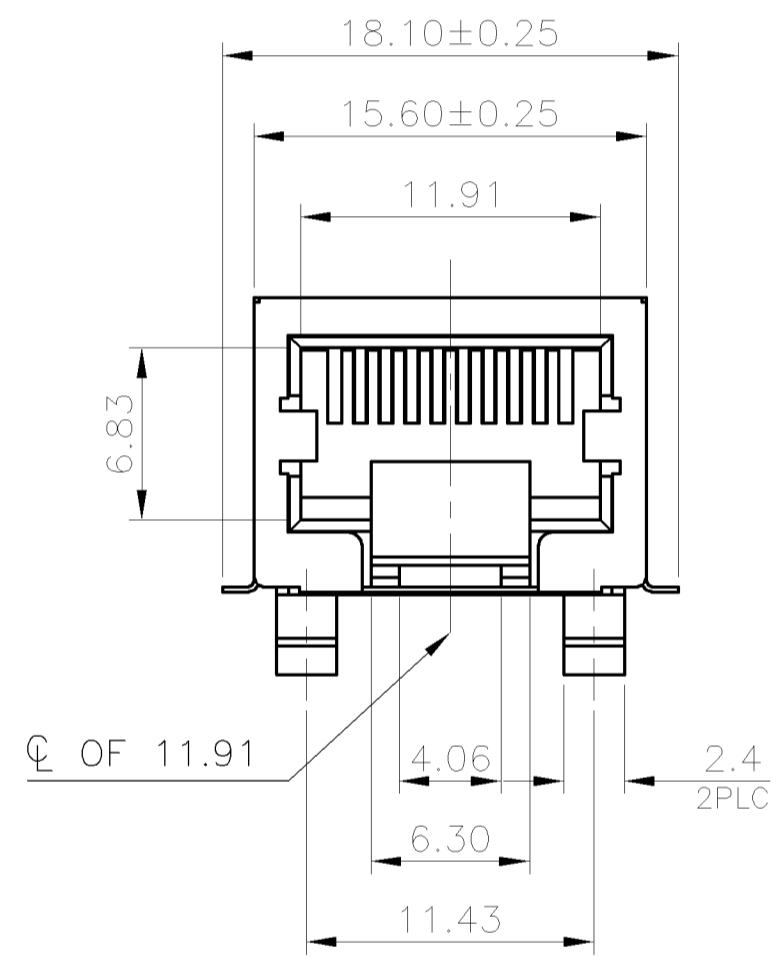
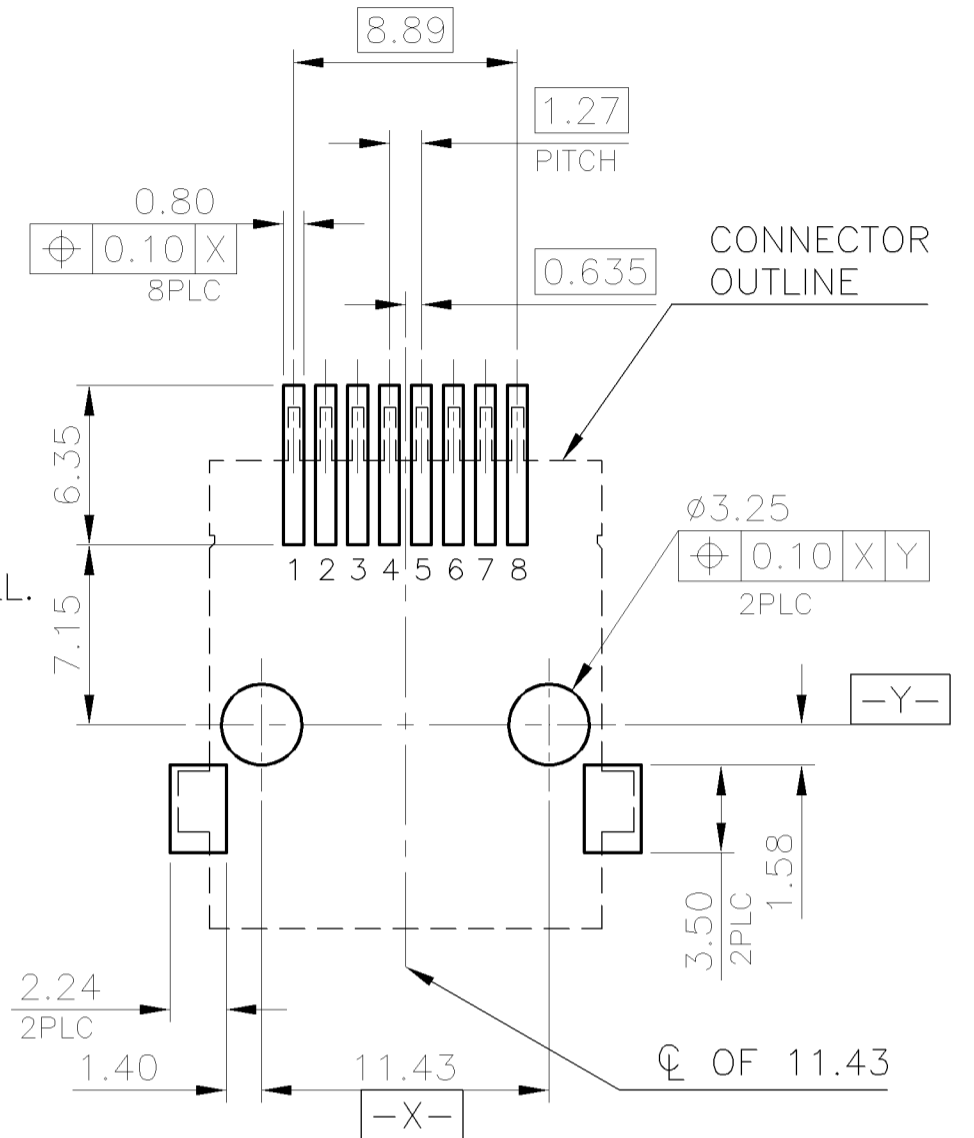
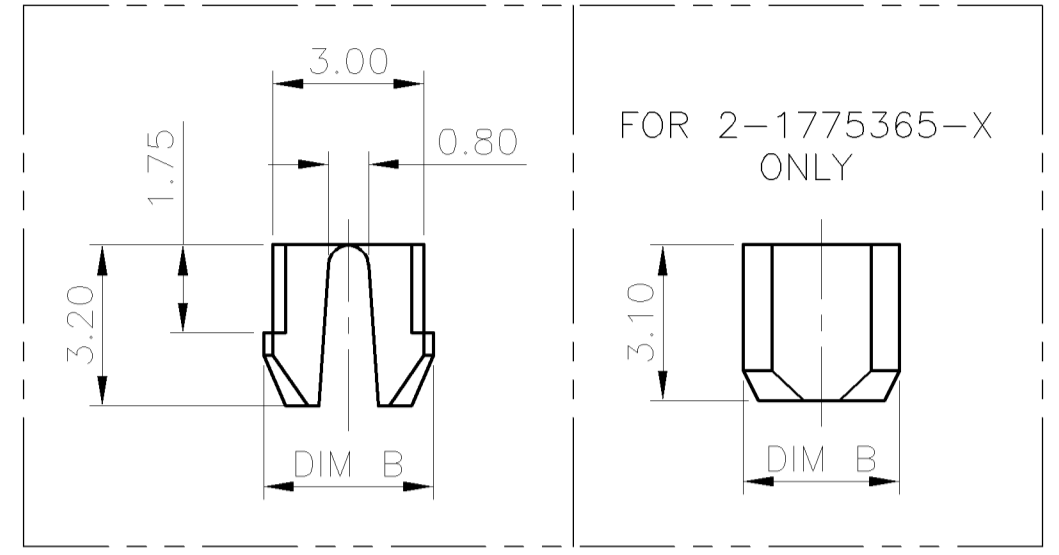
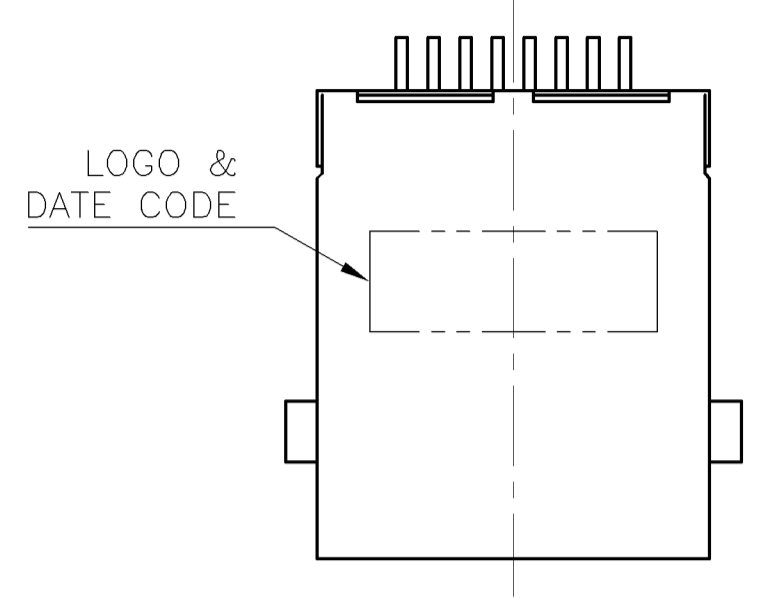


THIS DRAWING IS UNPUBLISHED. RELEASED FOR PUBLICATION  
 © COPYRIGHT 2011 BY TYCO ELECTRONICS CORPORATION. ALL RIGHTS RESERVED.

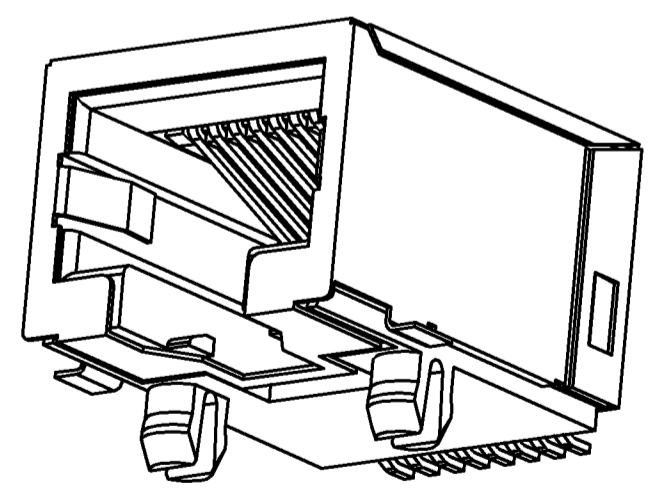
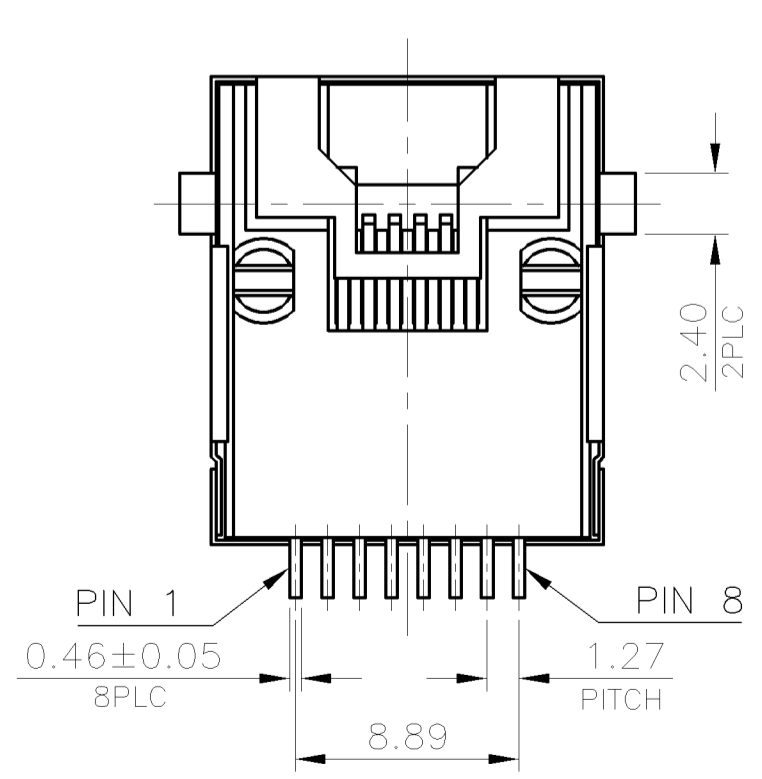
LOC		DIST		REVISIONS					
DW				P	LTR	DESCRIPTION	DATE	DWN	APVD
				F		REVISED (ECR-11-006036, 1. ADD P/N 2-1775365-5, 2. CHANGE RESIN MATERIAL TO PA9T, 3. DRAWING REDRAW)	23MAR'11	E.L.	W.K.

NOTES:

- MATERIAL:
  - HOUSING : PA9T WITH 30% GF, UL94 V-0, BLACK COLOR.
  - INSERT HOUSING: PA46 WITH 30% GF, UL94 V-0, BLACK COLOR.
  - CONTACT: PHOSPHOR BRONZE.
  - SHELL: BRASS.
- FINISH:
  - CONTACT: (SEE TABLE) GOLD PLATED ON CONTACT AREA. GOLD FLASH ON SOLDER TAIL. 1.27um [50u"] MIN. NICKEL UNDERPLATED OVERALL.
  - SHELL: 0.508um [20u"] MIN. NICKEL PLATED.
- REFLOW SOLDER CAPABLE TO 260°C PER TE SPEC. 109-201, CONDITION B.



4.29	REEL TRAY	3.10	12.60	0.152um [6u"]	2-1775365-5
				2-1775365-1	
4.22	REEL	3.38	12.75	1.27um [50u"]	1-1775365-4
				0.762um [30u"]	1-1775365-3
				0.381um [15u"]	1-1775365-2
				0.152um [6u"]	1-1775365-1
				1.27um [50u"]	1775365-4
				0.762um [30u"]	1775365-3
				0.381um [15u"]	1775365-2
				0.152um [6u"]	1775365-1
PRODUCT WEIGHT /PCS (g)	PACKAGE	DIM B	DIM A	MIN. GOLD THICKNESS	PART NUMBER

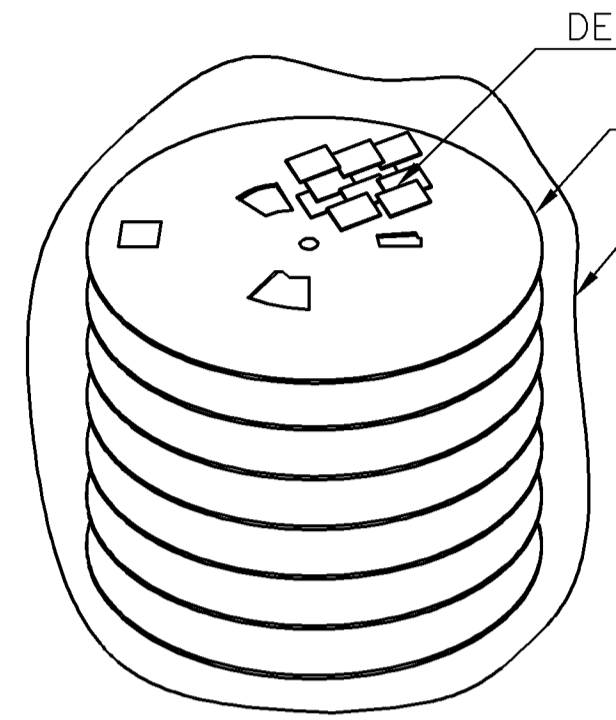
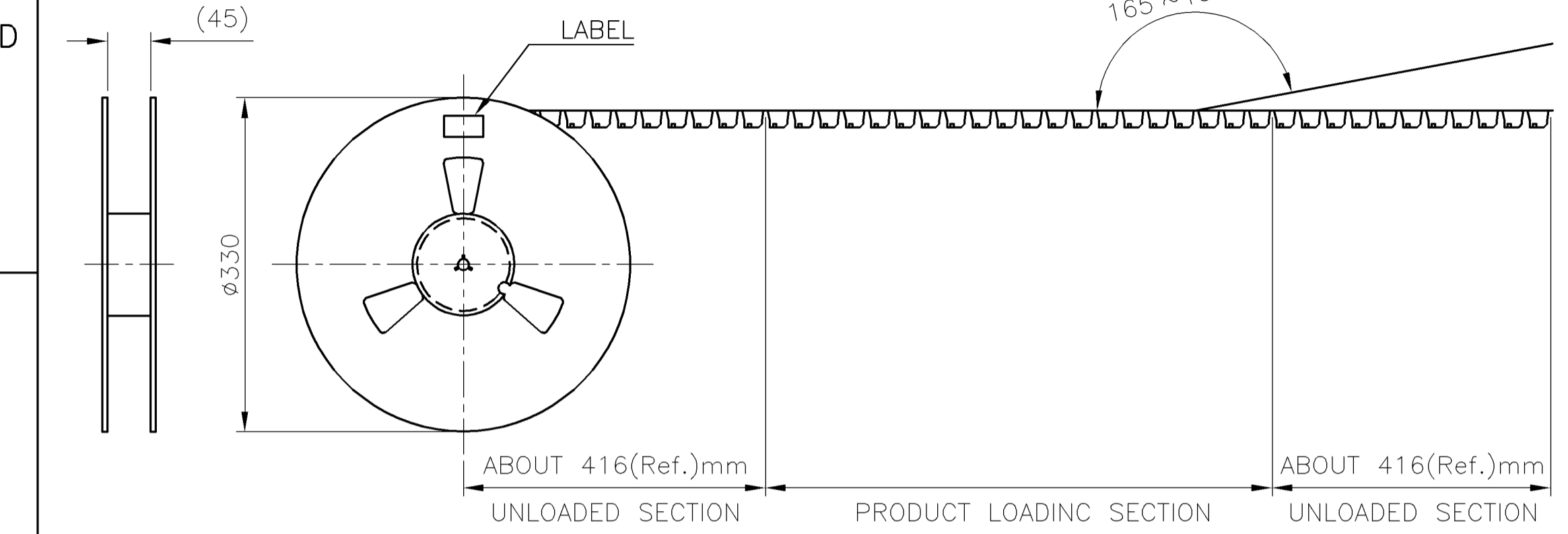


THIS DRAWING IS A CONTROLLED DOCUMENT.

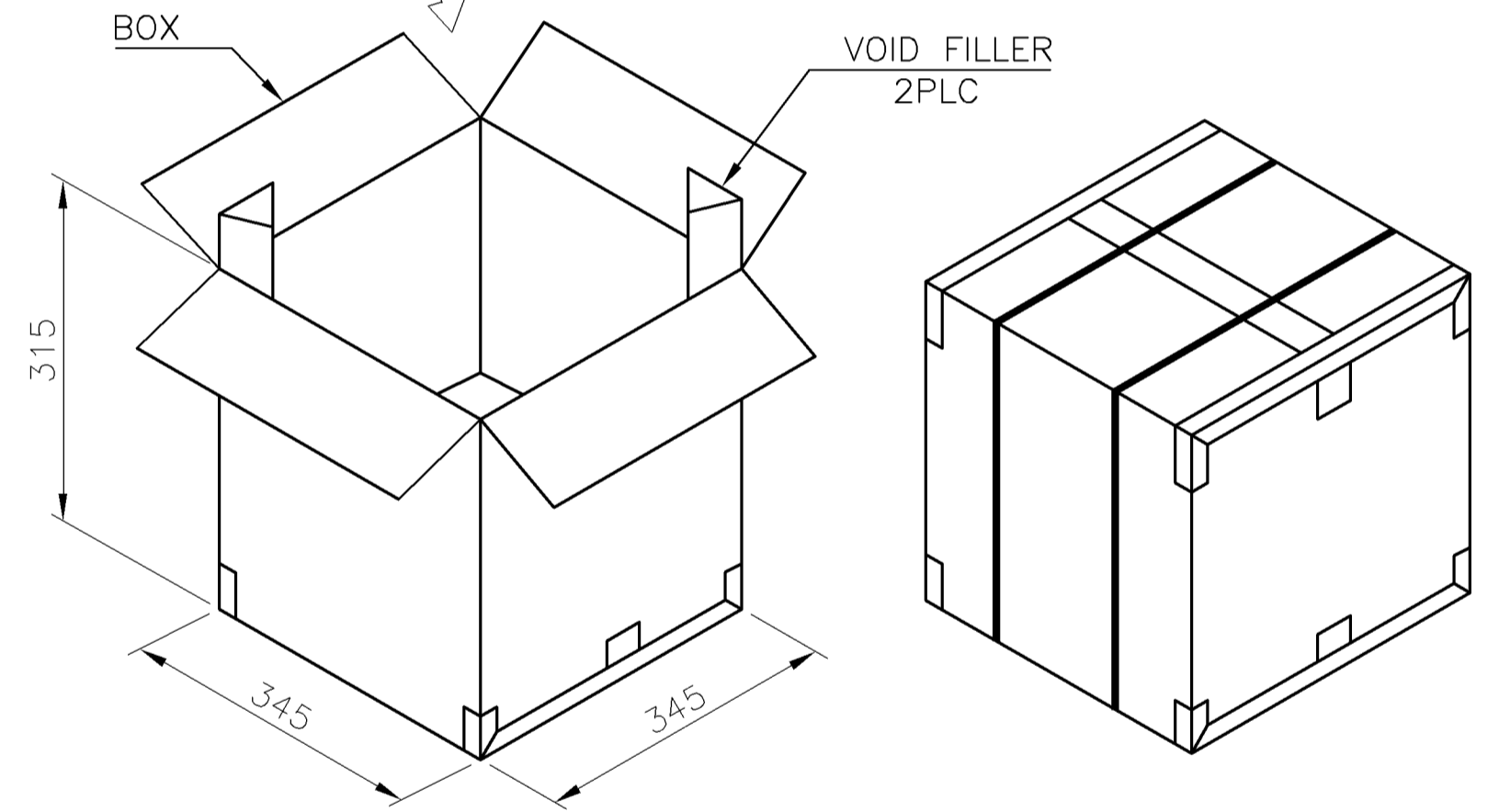
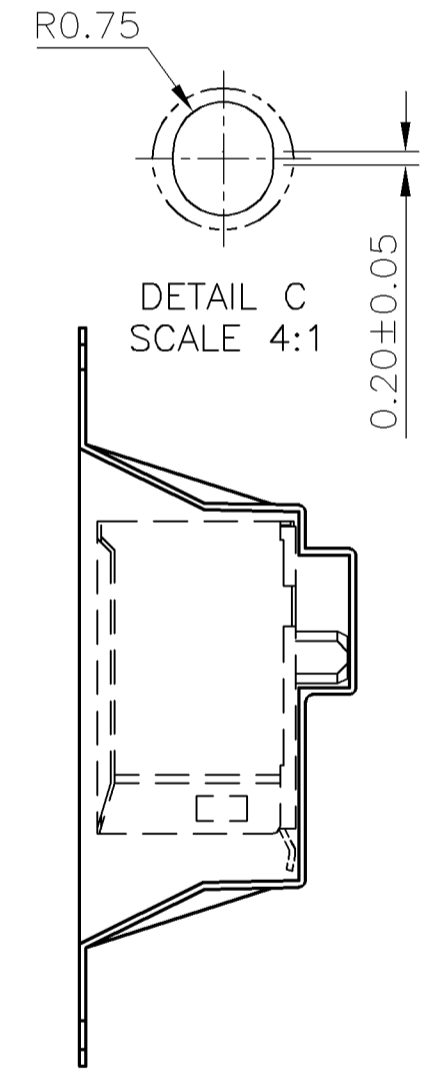
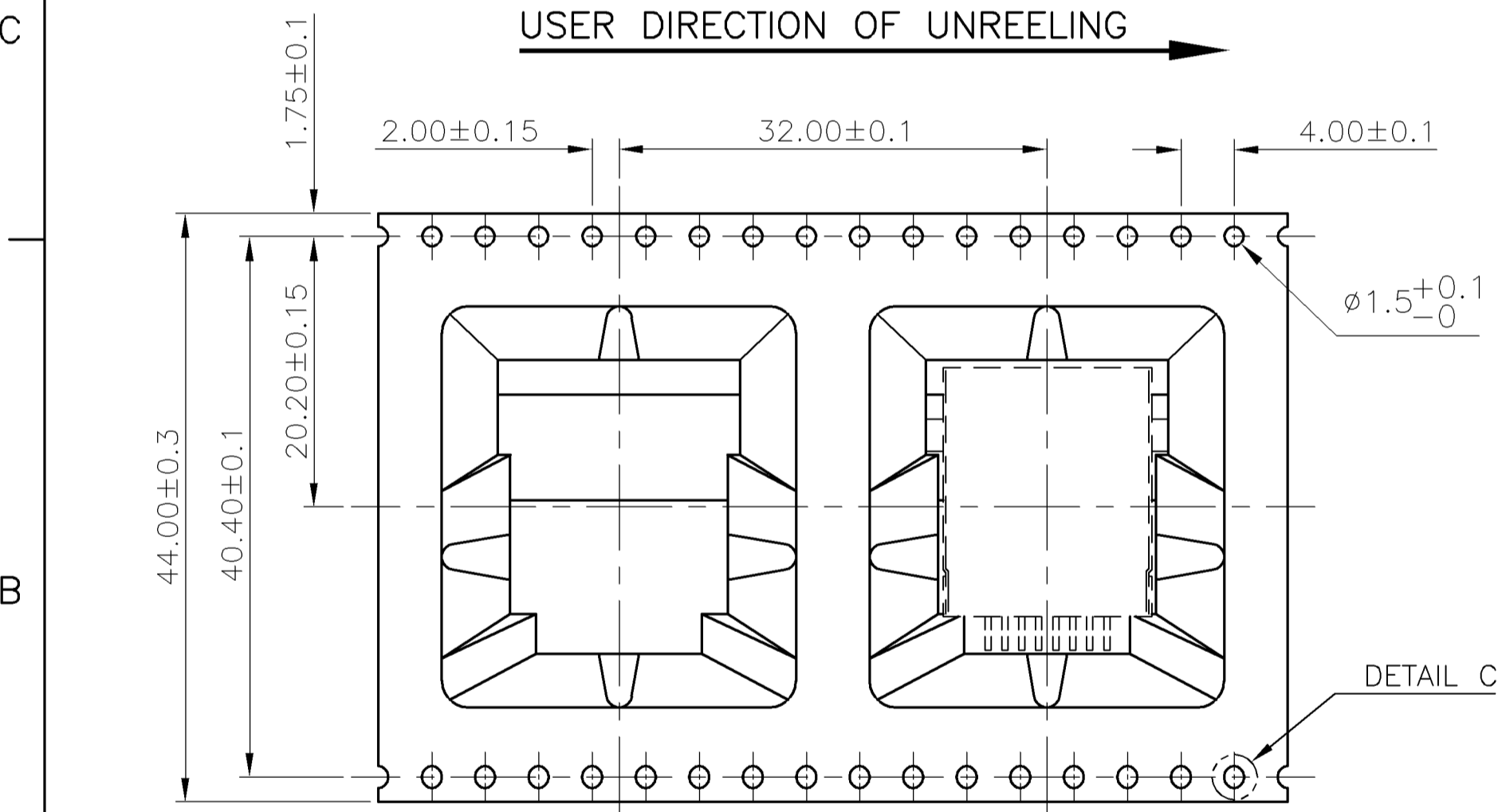
DIMENSIONS: mm	TOLERANCES UNLESS OTHERWISE SPECIFIED:	DWN B. HSING 18SEP2008	<b>STE</b> TE Connectivity			
	0 PLC ± - 1 PLC ± 0.3 2 PLC ± 0.2 3 PLC ± 0.15 4 PLC ± - ANGLES ± 3°	CHK S. CHIEN 18SEP2008				
MATERIAL SEE NOTE	FINISH SEE NOTE	APVD W. KODAMA 18SEP2008	NAME			
		PRODUCT SPEC 108-57535	MODULAR JACK CONNECTOR RJ45 ASSY, SIDE ENTRY, SHIELDED, TAB DOWN, SMT TYPE, H=11.8mm			
		APPLICATION SPEC	SIZE	CAGE CODE	DRAWING NO	RESTRICTED TO
		WEIGHT SEE TABLE	A3	00779	C=1775365	-
		CUSTOMER DRAWING	SCALE -	SHEET 1 OF 3	REV F	

THIS DRAWING IS UNPUBLISHED. RELEASED FOR PUBLICATION  
 © COPYRIGHT 2011 BY TYCO ELECTRONICS CORPORATION. ALL RIGHTS RESERVED.

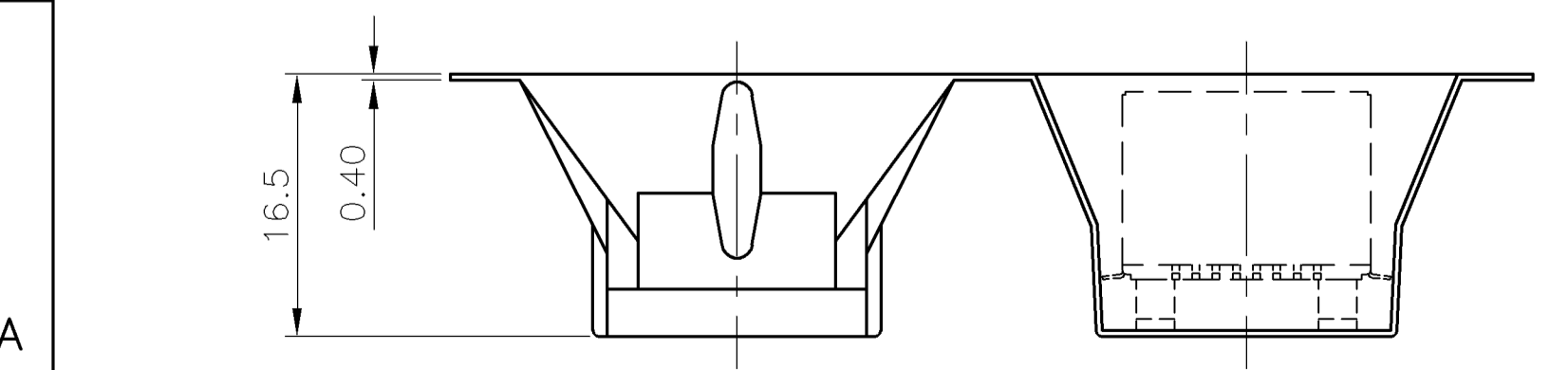
LOC	DIST	REVISIONS			
P	LTR	DESCRIPTION	DATE	DWN	APVD
		SEE SHEET 1.			



- NOTE:
- EACH BAG SHALL BE INCLUDED: \*DESICCANT
  - PEELING STRENGTH: 0.1~1.3N(1~130 GRAMS) FOR 12~56mm WIDE CARRIER TAPES
  - PEELING SPEED: 300mm/MINUTES.
  - PACKAGING MATERIAL:
    - COVER TAPE: COMPOSITE OF POLYETHYLENE TEREPHTHALATE (PET)
    - CARRIER: POLYSTYRENE (PS)
    - CARRIER REEL: POLYSTYRENE



5.9 KG	2.84 KG	110	6	660	2-1775365-5
5.85 KG	2.79 KG				1-1775365-X
					1775365-X
GROSS WEIGHT	NET WEIGHT	PCS/ REEL	REEL/ BOX	PCS/ BOX	PART NUMBER



THIS DRAWING IS A CONTROLLED DOCUMENT.		DWN	TE Connectivity MODULAR JACK CONNECTOR RJ45 ASSY, SIDE ENTRY, SHIELDED, TAB DOWN, SMT TYPE, H=11.8mm				
DIMENSIONS: mm		CHK				NAME	
TOLERANCES UNLESS OTHERWISE SPECIFIED:		APVD				PRODUCT SPEC	
MATERIAL		PRODUCT SPEC				APPLICATION SPEC	
0 PLC ± - 1 PLC ± 0.3 2 PLC ± 0.2 3 PLC ± 0.15 4 PLC ± - ANGLES ± 3° FINISH		WEIGHT	SIZE	CAGE CODE	DRAWING NO		
		CUSTOMER DRAWING	A3	00779	C=1775365		
		SCALE	SHEET	REV			
			2 OF 3	F			

4

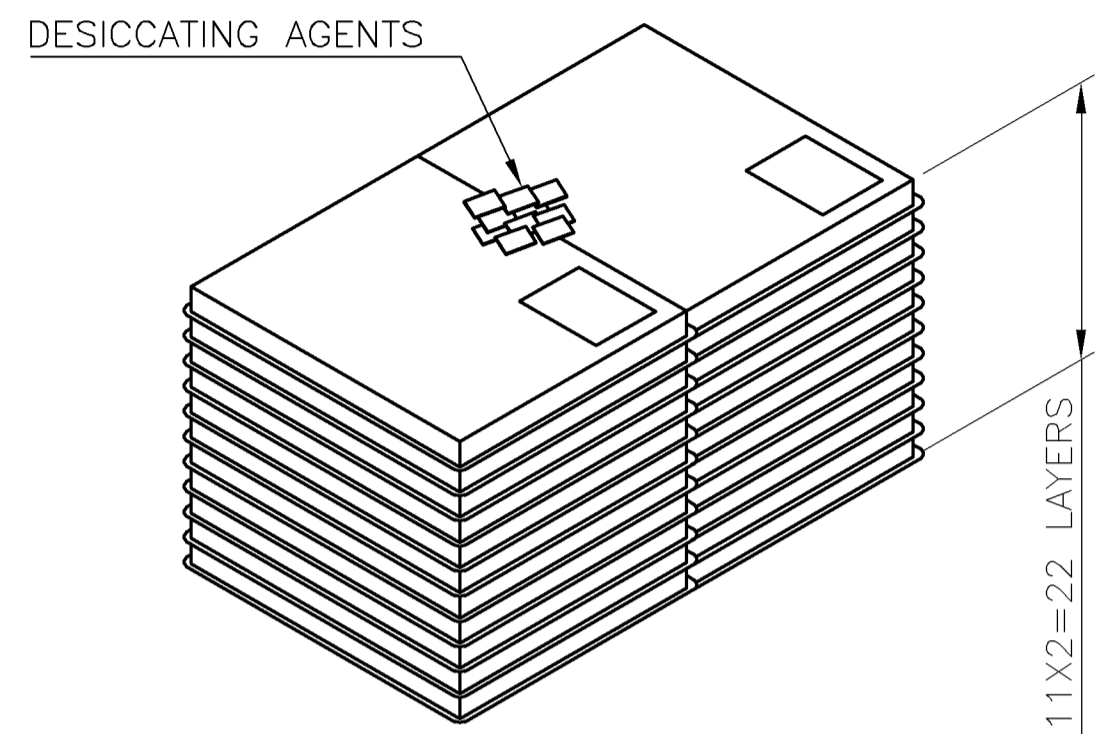
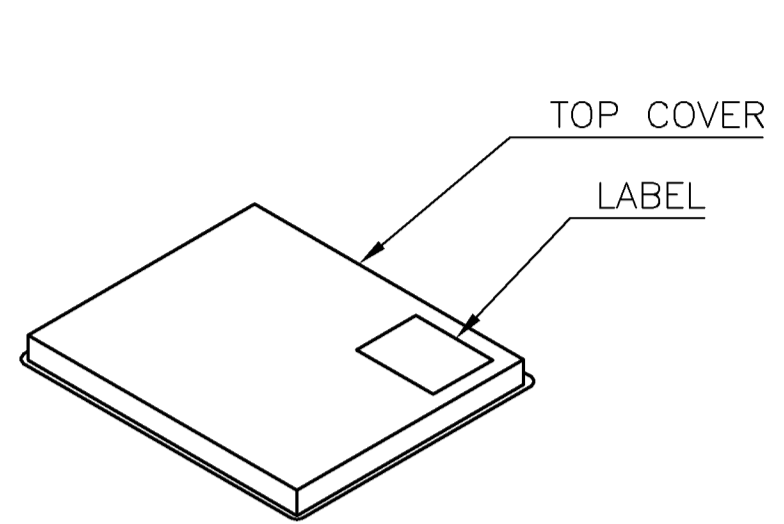
3

2

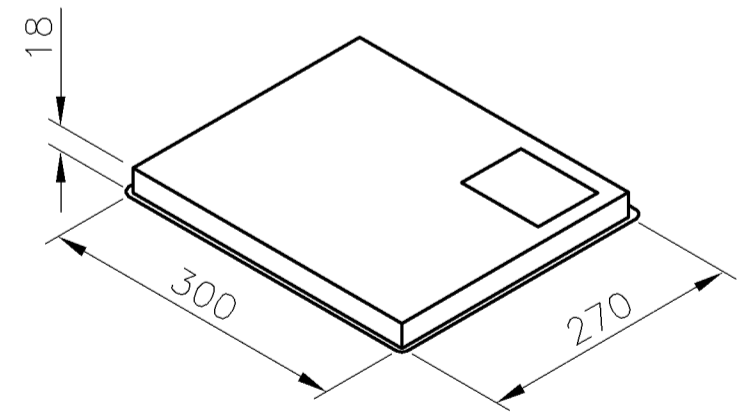
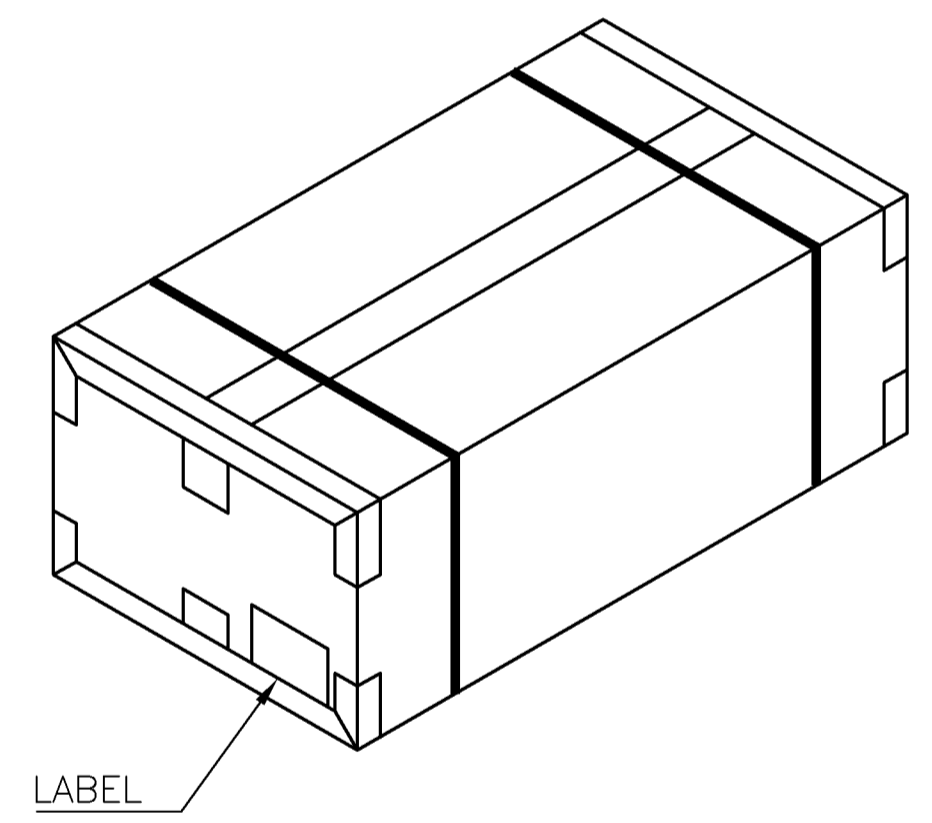
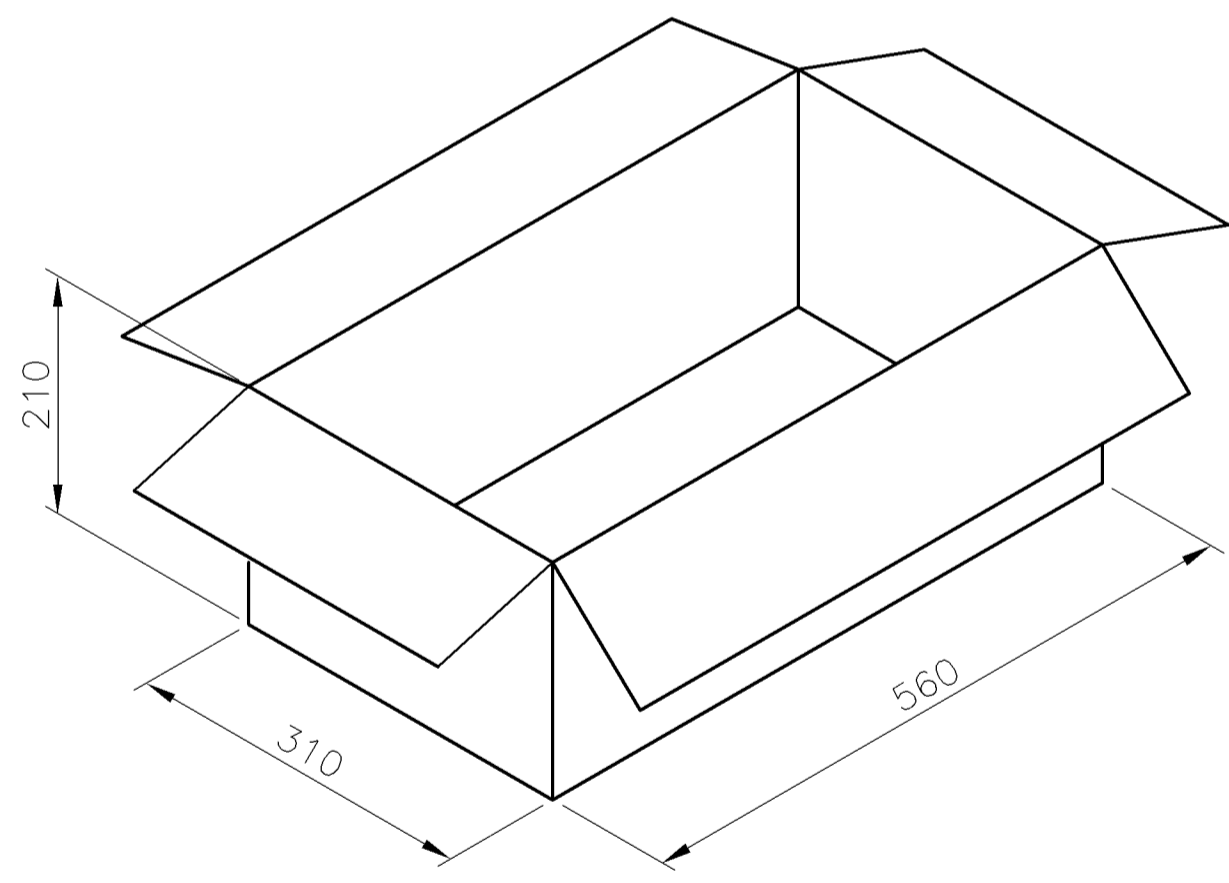
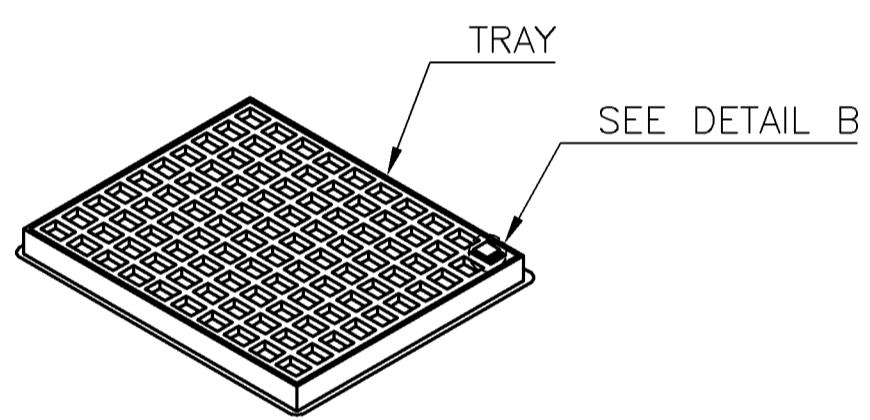
1

THIS DRAWING IS UNPUBLISHED. RELEASED FOR PUBLICATION  
 © COPYRIGHT 2011 BY TYCO ELECTRONICS CORPORATION. ALL RIGHTS RESERVED.

LOC		DIST		REVISIONS				
P	LTR	DESCRIPTION			DATE	DWN	APVD	
		SEE SHEET 1.						



- NOTES:
- MATERIAL:
    - 1.1 TRAY: PVC.
    - 1.2 BOX: CORRUGATED FIBER.
  - DIMENSION: SEE DRAWING
  - QUANTITY: SEE TABLE
  - WEIGHT: SEE TABLE
  - EACH BAG SHALL BE INCLUDED: DESICCANT



14.1 KG	9.5 KG	100	22	2200	2-1775365-1
GROSS WEIGHT	NET WEIGHT	PCS/TRAY	TRAY/BOX	PCS/BOX	PART NUMBER

THIS DRAWING IS A CONTROLLED DOCUMENT.		DWN	TE Connectivity NAME <b>MODULAR JACK CONNECTOR</b> <b>RJ45 ASSY, SIDE ENTRY, SHIELDED,</b> <b>TAB DOWN, SMT TYPE, H=11.8mm</b>				
DIMENSIONS: mm		CHK					
		APVD					
TOLERANCES UNLESS OTHERWISE SPECIFIED: 0 PLC ± - 1 PLC ± 0.3 2 PLC ± 0.2 3 PLC ± 0.15 4 PLC ± - ANGLES ± 3°		PRODUCT SPEC					
MATERIAL		FINISH	APPLICATION SPEC	SIZE	CAGE CODE	DRAWING NO	RESTRICTED TO
CUSTOMER DRAWING			WEIGHT	A3	00779	C=1775365	
				SCALE	SHEET	REV	
					3 OF 3	F	