

# Honeywell

---



*Representative photograph, actual product appearance may vary.*

*Due to regional agency approval requirements, some products may not be available in your area. Please contact your regional Honeywell office regarding your product of choice.*

## 12TW1-1E

**TW Series Toggle Switch, 2 pole, 3 position, Solder terminal, Locking Lever, Military Part Number MS27721-21-1E**

### Features

- Qualified to MIL-S-83731
- Save space and weight
- SPDT and DPDT circuitry
- Temperature range: -85°F to +160°F (-65°C to +71°C)
- Sealed bushing versions
- Choice of ¼ in. or 15/32 in. bushing
- Color tab available on 15/32 in. bushing
- UL recognized

### Typical Applications

- Industrial machinery and equipment
- Military and commercial aviation
- Construction equipment
- Test instruments
- Agricultural machinery
- Process control
- Medical instrumentation

### Description

Miniature toggle switches in two bushing sizes. Molded-in terminals are plated for soldering. Momentary and maintained circuitry closures available. Special on-on-on circuitries are also available. Pull-to-unlock levers prevent accidental operation.



## 12TW1-1E

TW Series Toggle Switch, 2 pole, 3 position, Solder terminal, Locking Lever, Military  
Part Number MS27721-21-1E

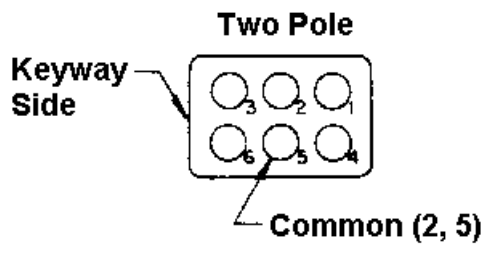
Product Specifications	
Product Type	Toggle
Ampere/Voltage Range (Resistive Load)	0.1 A to 5.0 A at 0.5 Vac to 115 Vac, 0.1 A to 5.0 A at 0.5 Vdc to 28 Vdc
Circuitry	DPDT
Action	3 position
Circuitry/Operating action	
Mounting	Bushing 15/32 in
Termination	Solder
Military Part Number	MS27721-21-1E
Lever Type	Locking
Lever Lock	
UL/CSA Rating Code	L117: 5 A at 125 Vac
Comment	Fine silver contacts
Availability	Global
UNSPSC Code	30211908
UNSPSC Commodity	30211908 Toggle switches
Series Name	TW Series

# Honeywell

---

## 12TW1-1E

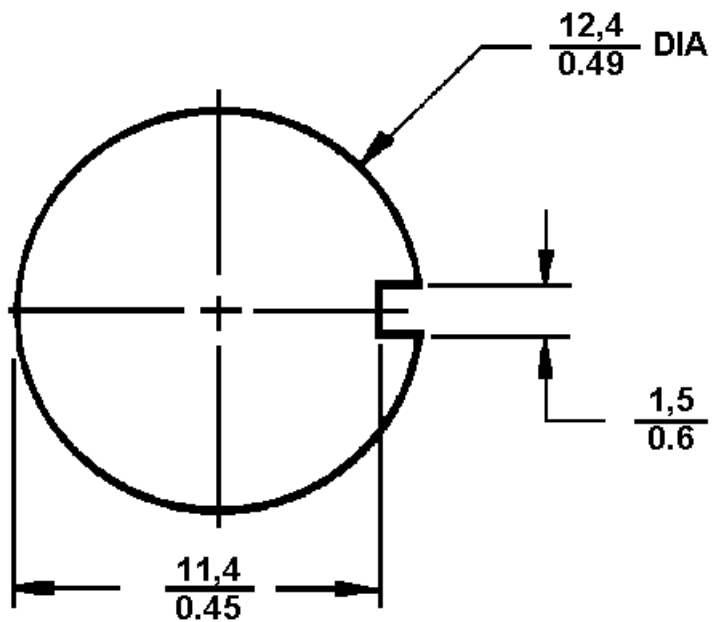
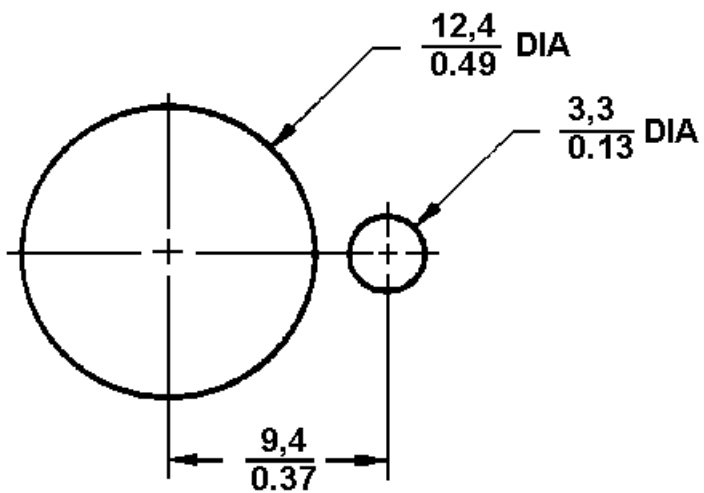
TW Series Toggle Switch, 2 pole, 3 position, Solder terminal, Locking Lever, Military  
Part Number MS27721-21-1E



# Honeywell

## 12TW1-1E

TW Series Toggle Switch, 2 pole, 3 position, Solder terminal, Locking Lever, Military  
Part Number MS27721-21-1E



# Honeywell

---

## 12TW1-1E

TW Series Toggle Switch, 2 pole, 3 position, Solder terminal, Locking Lever, Military  
Part Number MS27721-21-1E

### WARNING

#### PERSONAL INJURY

DO NOT USE these products as safety or emergency stop devices, or in any other application where failure of the product could result in personal injury.

**Failure to comply with these instructions could result in death or serious injury.**

### WARNING

#### MISUSE OF DOCUMENTATION

- The information presented in this product sheet (or catalog) is for reference only. DO NOT USE this document as product installation information.
- Complete installation, operation and maintenance information is provided in the instructions supplied with each product.

**Failure to comply with these instructions could result in death or serious injury.**

*© Copyright Honeywell Inc. 1998-2004 All rights reserved.*