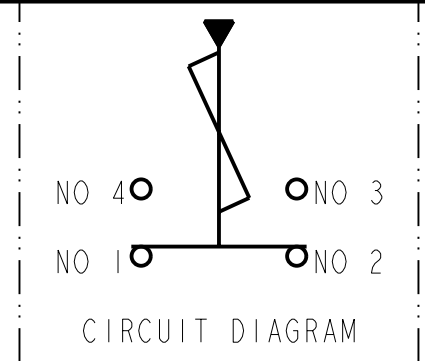
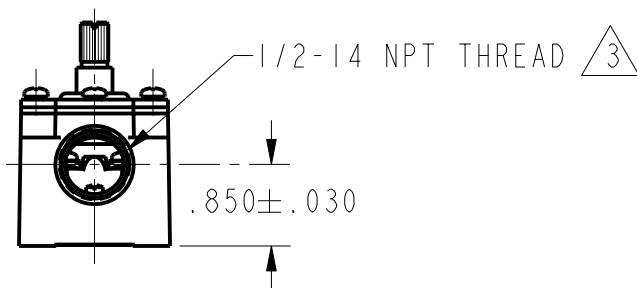
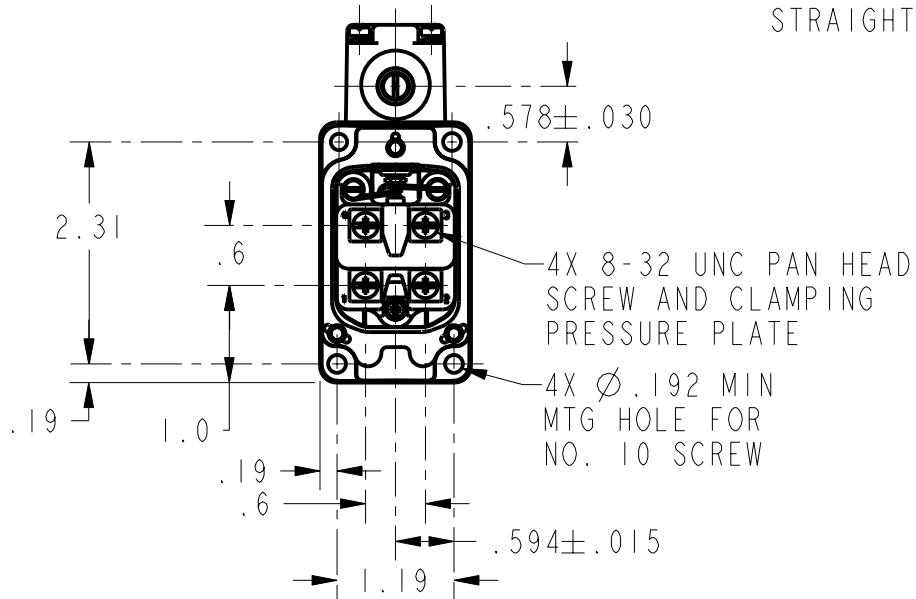
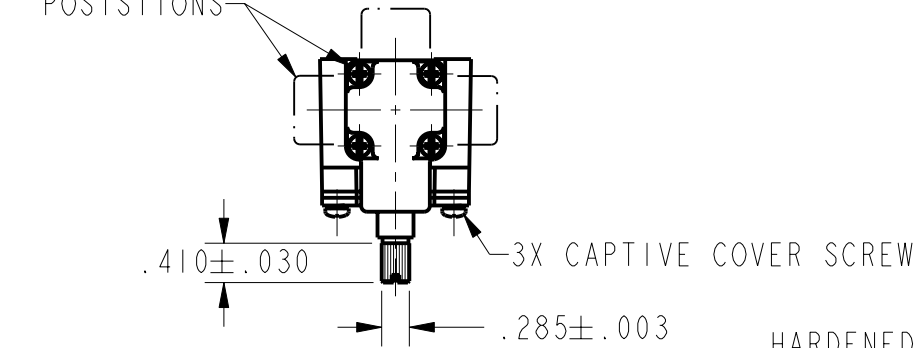
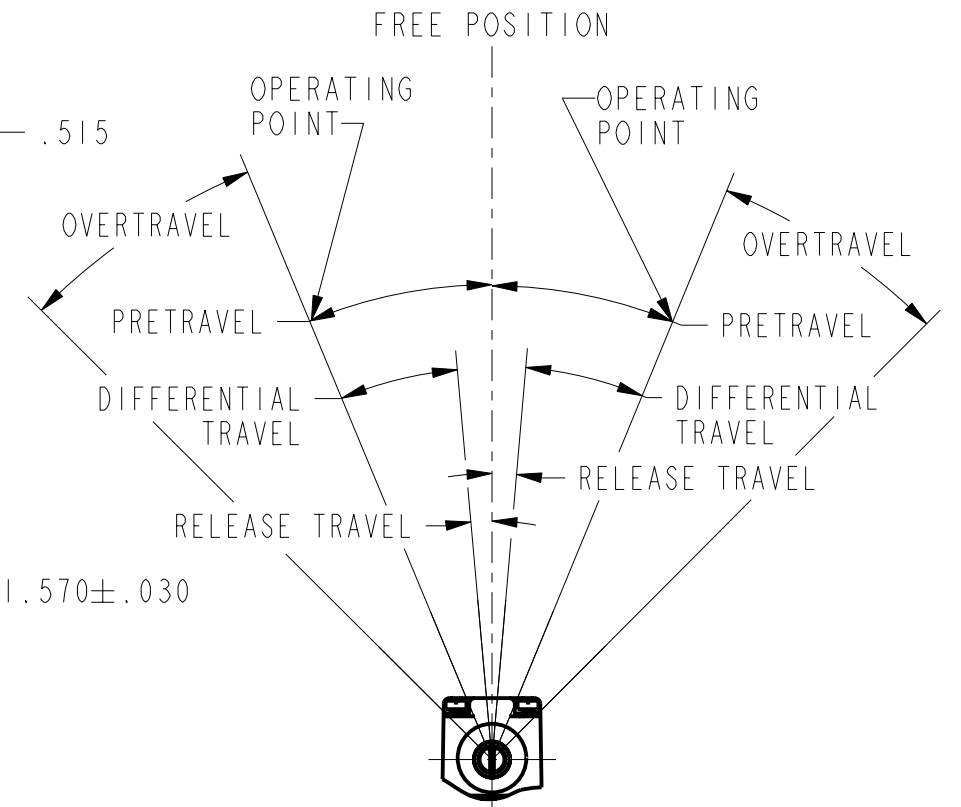
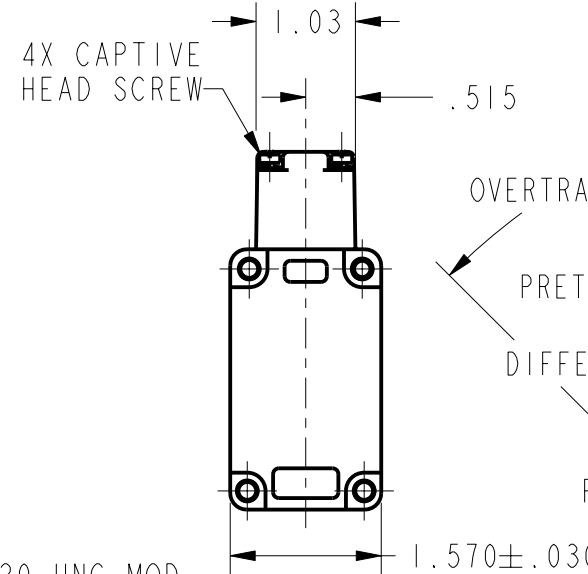
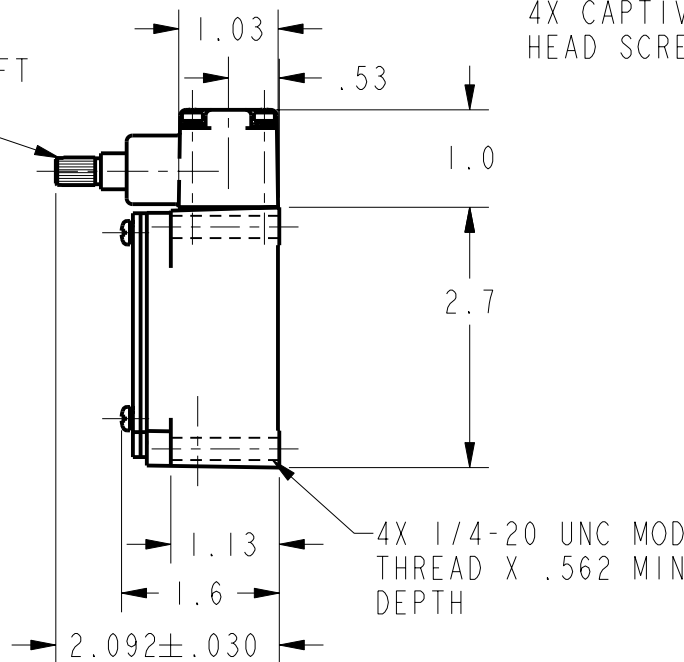


REV	DOCUMENT	CHANGED BY	CHECK
1	204886	GLH 21FEB02	SAV

OPERATING HEAD MOUNTS IN ANY OF FOUR POSITIONS



HARDENED CORROSION RESISTANCE STEEL SHAFT STRAIGHT KNURL



NOTES:

- SWITCH IS ASSEMBLED FOR ACTUATION IN EITHER DIRECTION BUT MAY BE ADJUSTED TO ACTUATE THE SWITCH IN CLOCKWISE DIRECTION ONLY, THE COUNTERCLOCKWISE DIRECTION ONLY, OR IN BOTH DIRECTIONS
 - TO CONVERT SWITCH FOR ACTUATION IN EITHER THE CLOCKWISE OR COUNTERCLOCKWISE DIRECTION ONLY, REMOVE ACTUATOR HEAD AND ROTATE THE NOTCHED PLUNGER 90° TO THE RIGHT FOR CLOCKWISE ACTUATION OR 90° TO THE LEFT FOR COUNTERCLOCKWISE ACTUATION
- 3 SEAL TO BE FURNISHED BY USER

<p>CHARACTERISTICS</p> <p>OPERATING TORQUE-----15 IN OZ MAX</p> <p>RELEASE TORQUE-----3 IN OZ MIN</p> <p>PRETRAVEL TRAVEL-----5° MAX</p> <p>OVERTRAVEL-----30° MIN</p> <p>RELEASE TRAVEL-----0°30' MIN</p> <p>SWITCH-BASIC REPLACEMENT-----2MN8</p>		<p>ELECTRICAL DATA</p> <p>CONTACT ARRANGEMENT (SEE CIRCUIT DIAGRAM)</p> <p>10A-120, 240 OR 480 VAC</p> <p>1/4 HP - 120 VAC; 1/2 HP - 240 VAC</p> <p>PILOT DUTY: 600 VAC MAX</p>		<p>UNLESS OTHERWISE SPECIFIED TOLERANCES ARE:</p> <table border="1"> <tr> <td>NO PLACE</td> <td>X</td> <td>±.040</td> <td>±1</td> </tr> <tr> <td>ONE PLACE</td> <td>.X</td> <td>±.030</td> <td>±0,4</td> </tr> <tr> <td>TWO PLACE</td> <td>.XX</td> <td>±.015</td> <td>±0,15</td> </tr> <tr> <td>THREE PLACE</td> <td>.XXX</td> <td>±.005</td> <td>±</td> </tr> <tr> <td>ANGLES</td> <td></td> <td>±</td> <td>±</td> </tr> </table> <p>RAW MATERIAL-COMMERCIAL STANDARD</p>		NO PLACE	X	±.040	±1	ONE PLACE	.X	±.030	±0,4	TWO PLACE	.XX	±.015	±0,15	THREE PLACE	.XXX	±.005	±	ANGLES		±	±	<p>DRAWN GLH 21FEB02</p> <p>CHECK SAV 21FEB02</p> <p>THIS DRAWING COVERS A PROPRIETARY ITEM AND IS THE PROPERTY OF HONEYWELL. THIS DRAWING IS NOT TO BE COPIED OR USED WITHOUT THE PERMISSION OF HONEYWELL.</p> <p>DIMENSIONS ARE TO BE MET BEFORE PROTECTIVE COATINGS ARE APPLIED</p> <p>PTC 3D ASME Y14.5M-1994</p>		<p>Honeywell</p> <p>TITLE SWITCH, ENCLOSED</p>			
NO PLACE	X	±.040	±1																												
ONE PLACE	.X	±.030	±0,4																												
TWO PLACE	.XX	±.015	±0,15																												
THREE PLACE	.XXX	±.005	±																												
ANGLES		±	±																												
		<p>THIRD ANGLE PROJECTION</p>		<p>SIZE DWG TYPE DRAWING NAME REV</p> <p>B I 1LS561 1</p>		<p>SCALE 1/2 TO 1 WEIGHT SHEET 1 OF 1</p>																									