

Power Stud Blocks

600 Volts AC/DC

Specifications:

- Connector, High Conductive Copper, Tin Plated
- Stud, Brass, Tin Plated, Metric (M) Studs, Steel
- Rated for multiple wire lugs, where applicable
- Suitable for Compression Wire Lugs
- Multiple wire rating - refer to datasheets for details
- UL Recognized File No. XCFR2.E62806
- CSA Certified File No. LR19766
- **CE** - Up to 1000 Volts AC/DC
- Flexible Stranded Wire Compliant
- RoHS Compliant



1423122



1423123

Replace "X" with # of poles (0 = Adder)

Catalog #	Hinge Cover	Poles (X)	Amps	MATERIAL		LINE SIDE			LOAD SIDE		
				Insulator	Conn.	Wire Range AWG/kcmil	Openings Per Pole	Connector Configuration	Wire Range AWG/kcmil	Openings Per Pole	Connector Configuration
132X122	CH	0/1/2/3	200	Plastic	CU	1/4-20 x 9/16	1		1/4-20 x 9/16	1	
132X422	CH	0/1/2/3	200	Plastic	CU	M6 x 15	1		M6 x 15	1	
142X123		1/2/3	200	Phenolic	CU	1/4-20 Screw	1		1/4-20 Screw	1	
142X122		1/2/3	200	Phenolic	CU	1/4-20 x 9/16	1		1/4-20 x 9/16	1	
143X563		1/2/3	230	Phenolic	CU	3/8-16 x 1 3/16	1		3/8-16 x 1 3/16	1	
143X561		1/2/3	230	Phenolic	CU	3/8-16 x 1 3/16	1		1/4-20 x 1 3/16	1	
144X553		1/2/3	230	Phenolic	CU	3/8-16 x 1 7/16	1		3/8-16 x 1 7/16	1	
144X122		1/2/3	260	Phenolic	CU	3/8-16 x 1 7/16	1		1/4-20 x 1 9/16	2	
133X564	CH	1/2/3	310	Plastic	CU	M10 X 30	1		M10 X 30	1	
133X563	CH	1/2/3	310	Plastic	CU	3/8-16 x 1 3/16	1		3/8-16 x 1 3/16	1	
145X573		1/2/3	360	Phenolic	CU	3/8-16 x 1 7/16	1		3/8-16 x 1 7/16	2	
145X583		1/2/3	360	Phenolic	CU	3/8-16 x 1 7/16	1		1/4-20 X 1 7/16	2	

CH = Block is also available with hinge cover attached - include "CH" at end of part number when ordering (not available on Adder blocks) - See page 58 for available covers

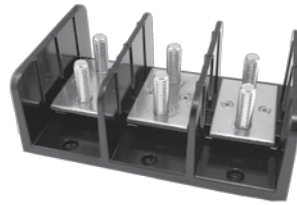
See pages 55-57 for dimensional information

Power Stud Blocks (cont.)

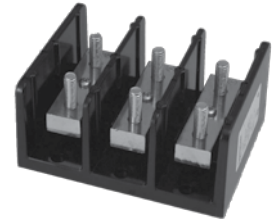
600 Volts AC/DC

Specifications:

- Connector, High Conductive Copper, Tin Plated
- Stud, Brass, Tin Plated, Metric (M) Studs, Steel
- Rated for multiple wire lugs, where applicable
- Suitable for Compression Wire Lugs
- Multiple wire rating - refer to datasheets for details
- UL Recognized File No. XCFR2.E62806
- CSA Certified File No. LR19766
- **CE** - Up to 1000 Volts AC/DC
- Flexible Stranded Wire Compliant
- RoHS Compliant



1453606



1443614

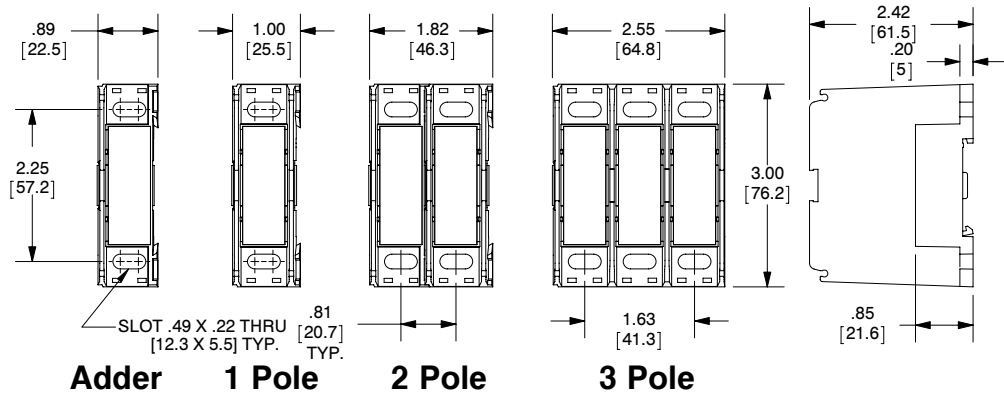
Replace "X" with # of poles (0 = Adder)

Catalog #	Hinge Cover	Poles (X)	Amps	MATERIAL		LINE SIDE			LOAD SIDE		
				Insulator	Conn.	Wire Range AWG/kcmil	Openings Per Pole	Connector Configuration	Wire Range AWG/kcmil	Openings Per Pole	Connector Configuration
145X606		1/2/3	410	Phenolic	CU	1/2-13 x 1 7/16	1		1/2-13 x 1 7/16	1	
133X611	CH	1/2/3	410	Plastic	CU	1/2-13 x 1.38	1		1/2-13 x 1.38	1	
145X613		1/2/3	475	Phenolic	CU	3/8-10 x 1 7/16	2		3/8-10 x 1 7/16	1	
144X614		1/2/3	840	Phenolic	CU	3/8-16 x 1	1		3/8-16 x 1	1	

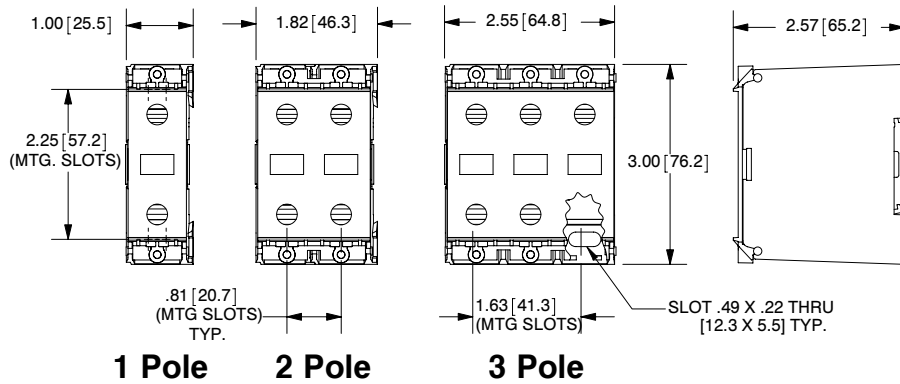
See pages 55-57 for dimensional information
See page 58 for available covers

Power Terminal Block Dimensions

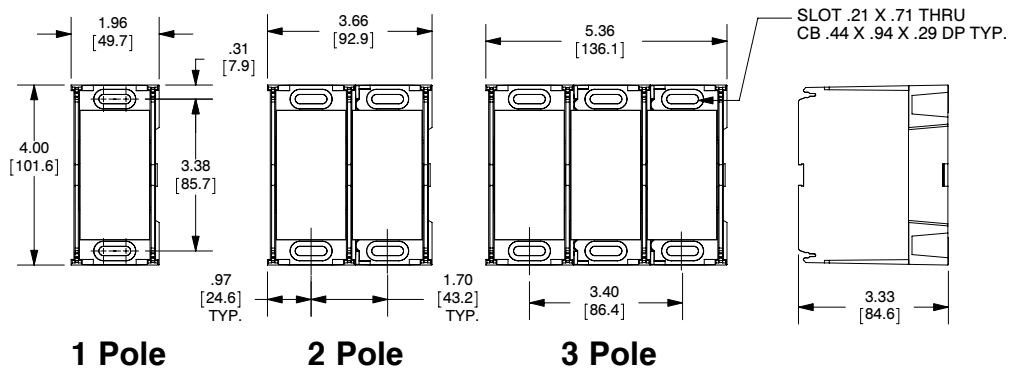
132 SERIES



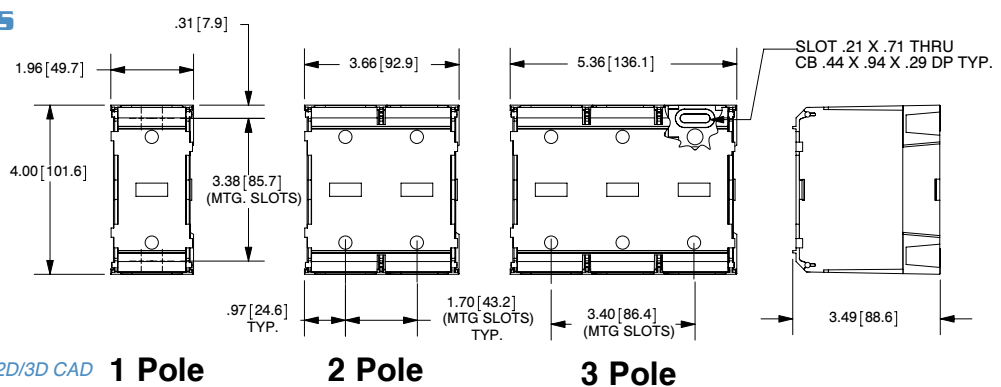
132 CH SERIES



133 SERIES



133 CH SERIES

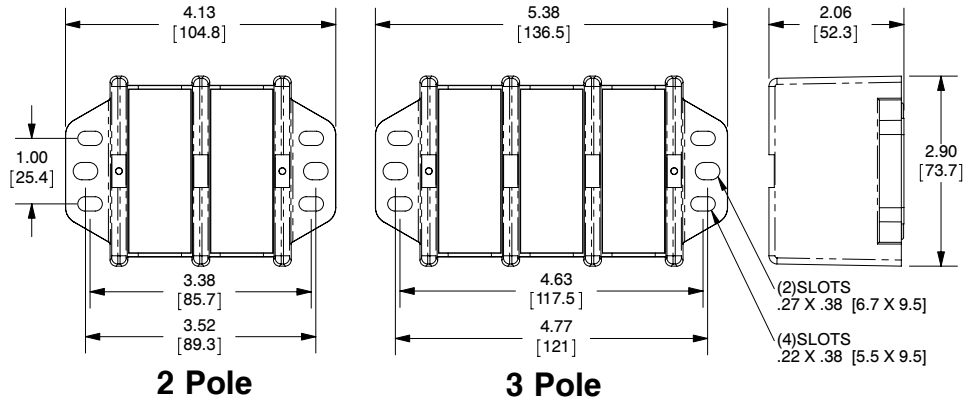


For electronic drawings or 2D/3D CAD data, submit request at www.marathonsp.com/drawings.html

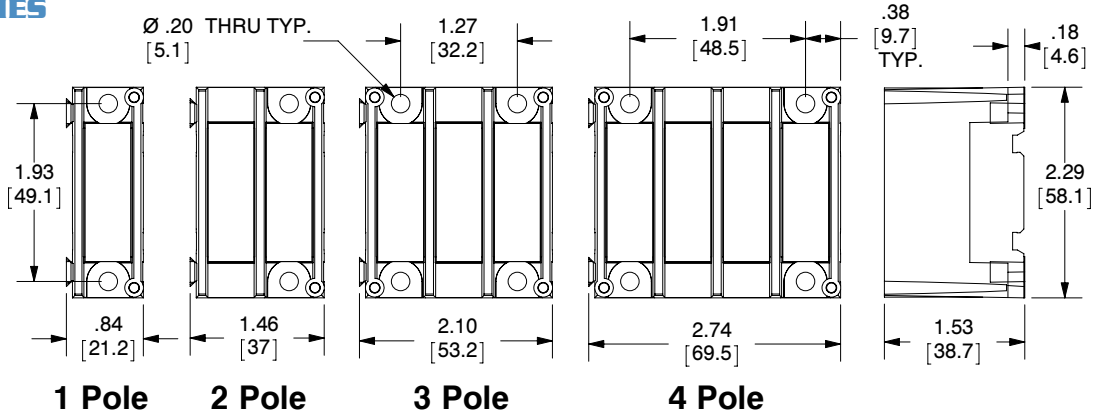
Datasheets available at marathonsp.com

Power Terminal Block Dimensions

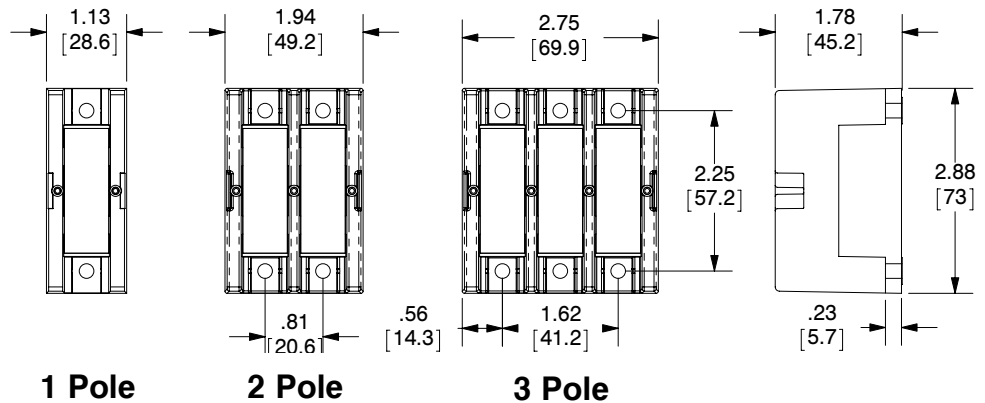
140 SERIES



141 SERIES



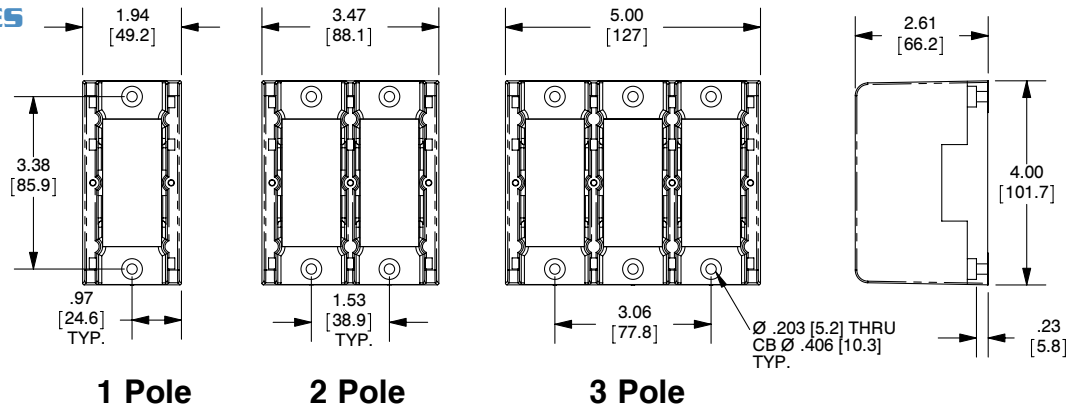
142 SERIES



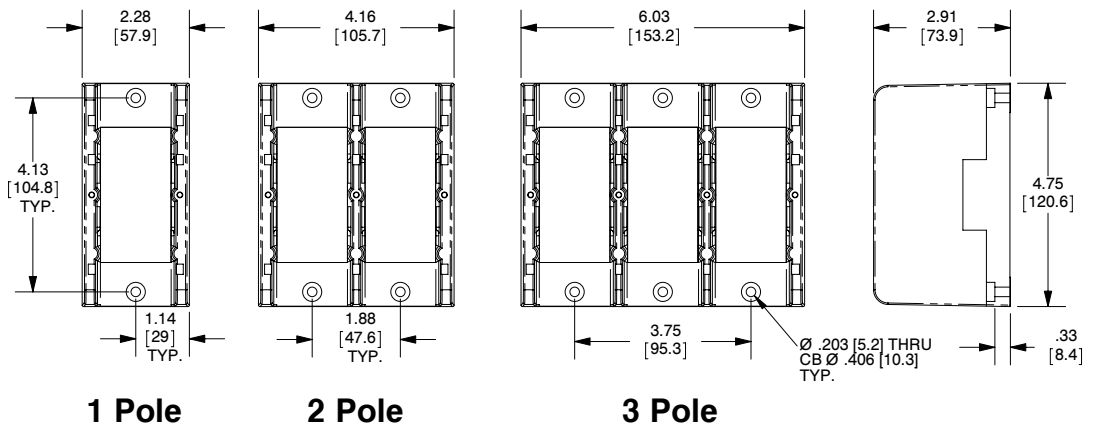
For electronic drawings or 2D/3D CAD data, submit request at www.marathonsp.com/drawings.html

Power Terminal Block Dimensions

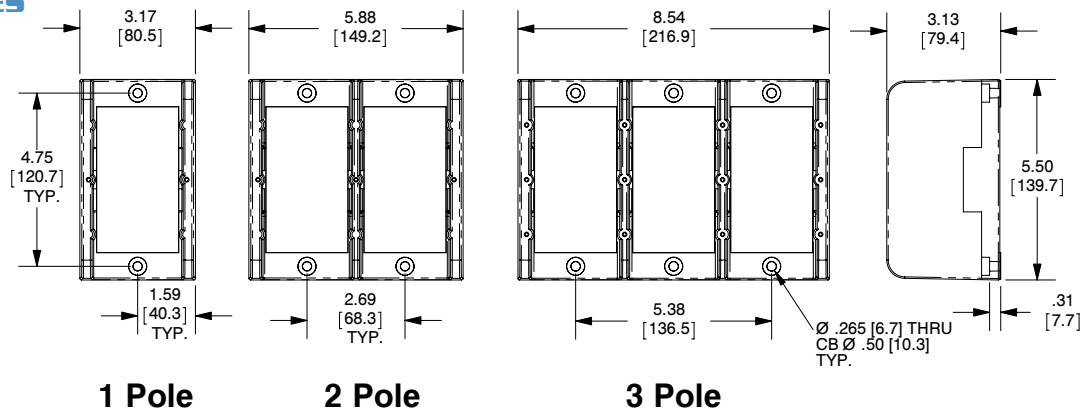
143 SERIES



144 SERIES



145 SERIES



For electronic drawings or 2D/3D CAD data, submit request at www.marathonsp.com/drawings.html