

Interactive Catalog Replaces Catalog Pages

Honeywell Sensing and Control has replaced the PDF product catalog with the new **Interactive Catalog**. The **Interactive Catalog** is a power search tool that makes it easier to find product information. It includes more installation, application, and technical information than ever before.



**Click this icon to try the new
Interactive Catalog.**

Sensing and Control

Honeywell Inc.

11 West Spring Street

Freeport, Illinois 61032

Basic Switches

Hermetically Sealed

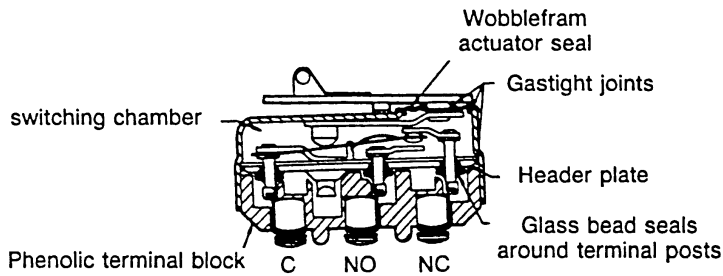


GENERAL INFORMATION

HS switches are designed for applications where maximum electrical rating and maximum sealing are essential, and where size and weight requirements are less critical. These switches are side mounted through mounting holes that are outside the sealed switching chamber.

FEATURES

- Hermetically sealed per MIL-S-8805, design symbol 5 (-67° to +180°F or -55° to 82°C)
- Power load switching capability up to 25 amperes, 28 VDC or 1 amp 115 VAC 60 Hz
- Temperature tolerance from -67°F to +250°F (-55°C to +125°C)
- High temperature construction for use to +300°F (149°C)
- Several styles of integral lever actuators
- Two styles of terminals
- Military standard construction with listings on the MIL-S-8805 qualified products list
- UL recognized File #E12252; CSA certified LR 4442



ELECTRICAL RATINGS

Circuitry	Electrical Rating Codes
Single-Pole Double-Throw	M 25 amps res., 10 amps ind., 5 amps motor, 3 amps lamp load, 28 vdc; 1 amp res., 1 amp ind., 115 vac, 60 Hz UL-CSA Rating: 1 amp., 115 vac, 60 Hz.
	N 15 amps res., 10 amps ind., 28 vdc; 1 amp res., 1 amp ind., 115 vac, 60 Hz
	O 20 amps res., 10 amps ind., 28 vdc; 1 amp res., 1 amp ind., 115 vac, 60 Hz UL-CSA Rating: 1 amp, 115 vac, 60 Hz
	P 10 amps res., 5 amps ind., 28 vdc; 1 amp res., 1 amp ind., 115 vac, 60 Hz UL-CSA Rating: 1 amp., 115 vac, 60 Hz.

Basic Switches

Hermetically Sealed

HS Series

Characteristics: O.F. — Operating Force; R.F. — Release Force; P.T. — Pretravel; O.T. — Overtravel; D.T. — Differential Travel; O.P. — Operating Position.

ORDER GUIDE



Dim. Dwg. Fig. 1

Catalog Listing	Recommended For	Electrical Rating Code	O.F. max. newtons ounces	R.F. min. newtons ounces	P.T. max. mm inches	O.T. min. mm inches	D.T. max. mm inches	O.P.* mm inches
1HS1 (MS25011-1)	Most applications. MIL-S-8805 (M8805/47)	1 Amp M	2,78-6,12 10-22	1,11 4	1,65 .065	0,25 .010	0,51 .020	13,5 .530
101HS1	Operating in temperature to +250°F (121°C)	1 Amp O	2,78-6,12 10-22	1,11 4	1,65 .065	0,25 .010	0,51 .020	13,5 .530
102HS1	Operating in temperature to +300°F (149°C)	1 Amp P	2,78-8,34 10-30	1,11 4	1,65 .065	0,25 .010	0,51 .020	13,5 .530



Dim. Dwg. Fig. 2

4HS4-118	Lead wire termination	1 Amp N	2,78-6,12 10-22	1,11 4	1,65 .065	0,25 .010	0,51 .020	15,6 .615 = .020
-----------------	-----------------------	-------------------	---------------------------	------------------	---------------------	---------------------	---------------------	----------------------------



Dim. Dwg. Fig. 3

1HS41	Applications requiring added overtravel	1 Amp M	1,11-5,56 4-20	0,56 2	—	1,57 .062 max.	2,54 .100	13,54 .533 approx.
--------------	---	-------------------	--------------------------	------------------	---	--------------------------	---------------------	------------------------------



Dim. Dwg. Fig. 4

1HS6 (MS25011-2)	MIL-S-8805 requirements More operating force	1 Amp M	6,12-7,78 22-28	1,11 4	2,16 .085	0,25 .010	0,51 .020	13,5 .530
-------------------------	---	-------------------	---------------------------	------------------	---------------------	---------------------	---------------------	---------------------

Sealed/High Temperature



Dim. Dwg. Fig. 5

1HS3	Roller lever	1 Amp M	2,78-6,12 10-22	1,11 4	1,65 .065	0,25 .010	0,51 .020	18,3 .720
-------------	--------------	-------------------	---------------------------	------------------	---------------------	---------------------	---------------------	---------------------

Except where stated* ±0,38mm
±.015 in.

Basic Switches

Hermetically Sealed

HS Series

MOUNTING DIMENSIONS (For reference only)

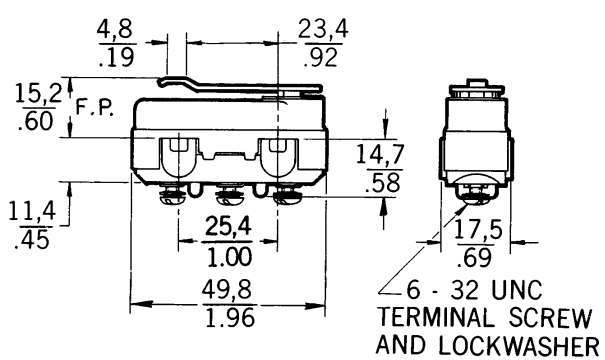


Fig. 1

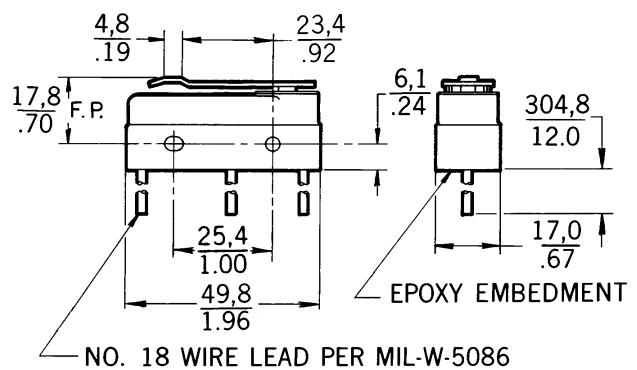


Fig. 2

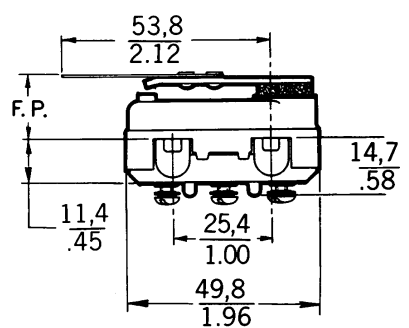


Fig. 3

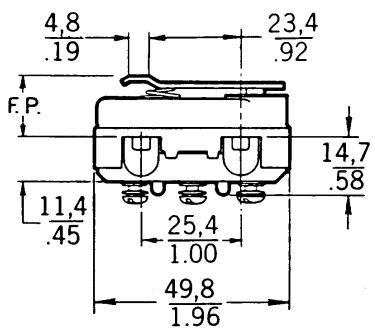


Fig. 4

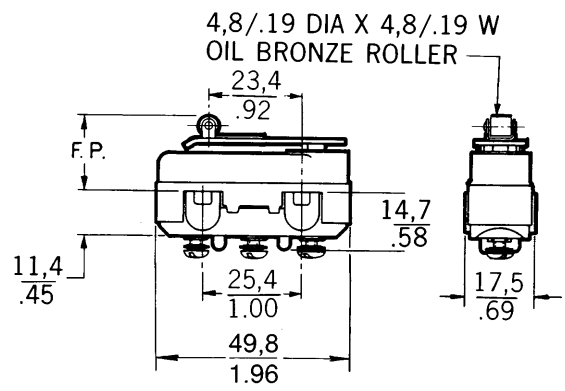


Fig. 5

Fig. 5

Mounting holes will accept pins or screws of .139" (3.53 mm) dia.

Key: $\frac{0,0}{0.00} = \frac{\text{mm}}{\text{inches}}$

Mouser Electronics

Authorized Distributor

Click to View Pricing, Inventory, Delivery & Lifecycle Information:

[Honeywell:](#)

[1HS1](#) [1HS3](#) [1HS6](#) [4HS4-118](#) [1HS41](#)