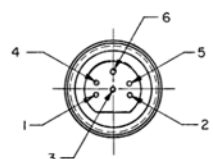
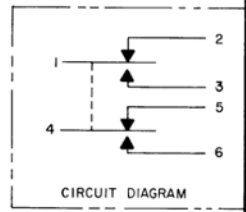
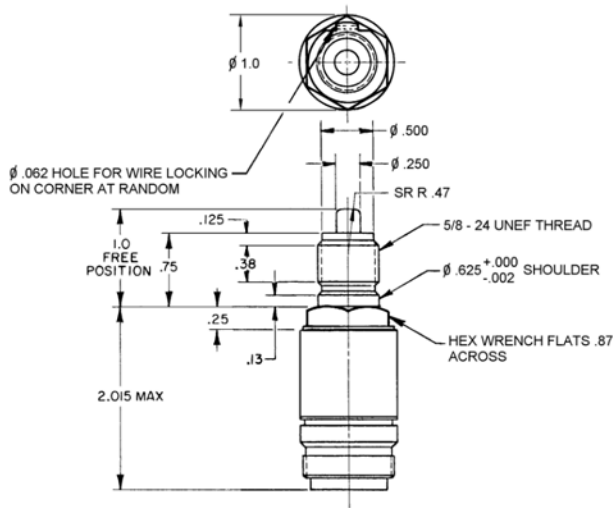


FURNISHED UNDER U.S. GOVERNMENT CONTRACT NO. _____
 AND NO PORTION HEREOF SHALL BE RELEASED OUTSIDE THE GOVERNMENT
 (EXCEPT TO FOREIGN GOVERNMENTS SUBJECT TO THE SAME LIMITATIONS)
 NOR BE DISCLOSED, USED, OR DUPLICATED FOR PROCUREMENT OR MAN-
 UFACTURING PURPOSES EXCEPT AS OTHERWISE AUTHORIZED BY CONTRACT
 BETWEEN THE GOVERNMENT AND MICRO SWITCH, A DIVISION OF HONEYWELL
 INC. WITHOUT THE PERMISSION OF THE LATTER. THIS LEGEND SHALL BE
 MARKED ON ANY REPRODUCTION HEREOF IN WHOLE OR IN PART.

CATALOG LISTING
1EN107 - R
 PAGE 1 OF 1
 REPLACES
 SR-8445
 ISSUE
M
33
 REVISIONS
 A 44351
 12 APR 79
 B 58730
 27 FEB 79
 C 0054075
 14 OCT 83
 D 206642
 27 NOV 79
 E 0041994
 20 APR 79
 C.E.S.
 DRAWN
 S.L.B.
 12 APR 79
 CHECKED
 C.E.S.
 20 APR 79
 RASTER
 FOR SERIAL-A



ANSI Y14.5M-1982 APPLIES

THIS DRAWING COVERS A PROPRIETARY ITEM AND IS THE PROPERTY OF MICRO SWITCH, A DIVISION OF HONEYWELL. THIS DRAWING IS NOT TO BE COPIED OR USED WITHOUT THE APPROVAL OF MICRO SWITCH.		THIRD ANGLE PROJECTION	SCALE FULL DO NOT SCALE PRINT
CHARACTERISTICS		ELECTRICAL DATA	UNLESS OTHERWISE SPECIFIED TOLERANCES ARE
OPERATING FORCE ----- 6-12 LB		CONTACT ARRANGEMENT	ONE PLACE (.0) $\pm .030$
FULL OVERTRAVEL FORCE --- 30 LB MAX		S P D T (2)	TWO PLACE (.00) $\pm .015$
RELEASE FORCE ----- 4 LB MIN		28 VDC	THREE PLACE (.000) $\pm .005$
PRETRAVEL ----- .040 MAX		LOAD	ANGLES \pm
DIFFERENTIAL TRAVEL --- .020 MAX		RES	SEA LEVEL
OVERTRAVEL ----- .140 MIN		IND	50,000 FT.
		MOTOR	4
			WEIGHT 5.0 OZ MAX

- NOTES
- 1 - SWITCH SEALED PER MIL-PRF-8805 SYMBOL 4
 - 2 - CIRCUIT DIAGRAM, DATE CODE, FEDERAL MFG. CODE NO. AND CATALOG LISTING 1EN107-R PERMANENTLY MARKED ON SIDE OF HOUSING
 - 3 - COINCIDENCE OF OPERATING AND RELEASING POINTS: .010 OF PLUNGER TRAVEL
 - 4 - ALL EXPOSED PARTS MONEL
 - 5 - CONNECTOR SECTION TO MATE WITH CONNECTOR PER DEPT. OF THE NAVY, BUREAU OF ORDNANCE SCD # 2017223 AND BURTON CONNECTOR 5006-0062