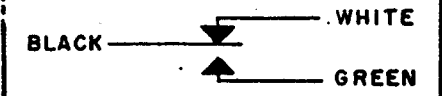


MICRO SWITCH

A DIVISION OF MINNEAPOLIS HONEYWELL REGULATOR COMPANY
 FREEPORT, ILLINOIS
 FED. MFR. CODE 91929

SWITCH - ENCLOSED

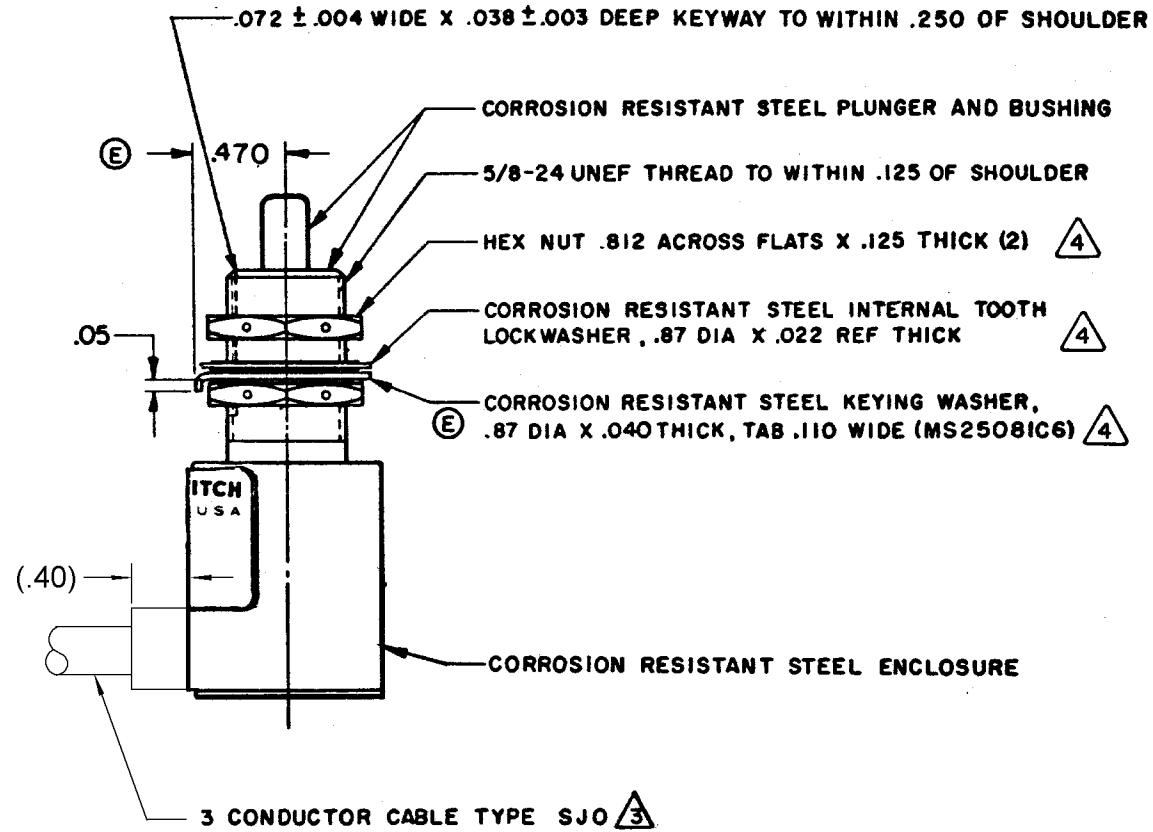
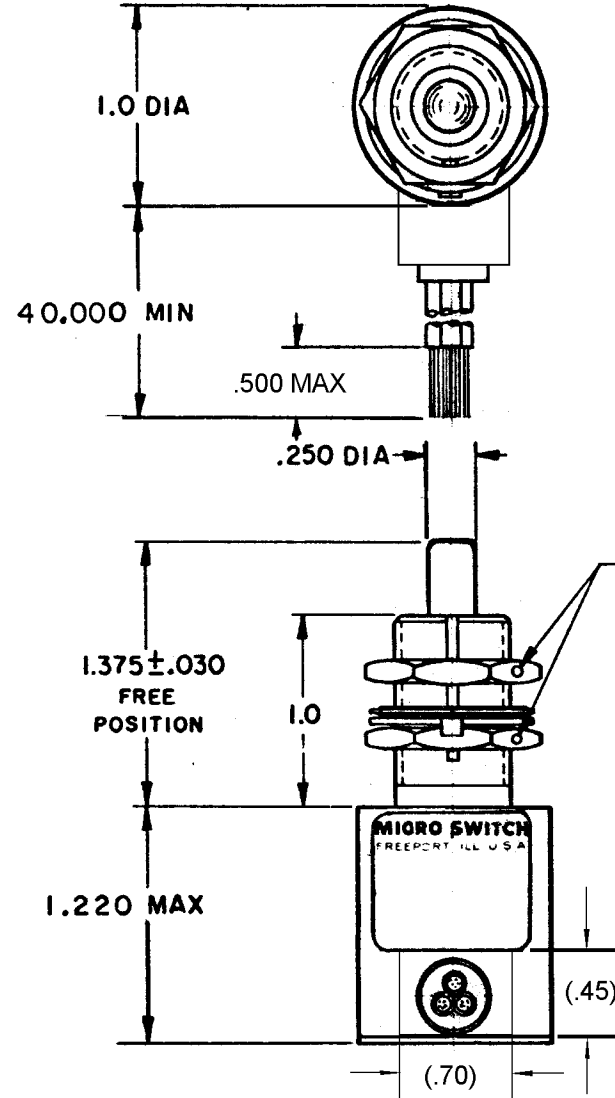
CATALOG LISTING
1CH28



CIRCUIT DIAGRAM

REPLACES

L	57370
TSK	16 MAY 85
CO	63259
M	15 APR 88
TSK	173101
CO	2 FEB 93
N	77804
CO	SAD
P	0016449
77804	KSR
27OCT05	



1CH28

DRAWING NUMBER

ISSUE 16

RELEASE NO. SR12268

CHECK RJ 27OCT05

REVISIONS

A	MADE	MPS	12 NOV 64
B	CO20147	M B F	5 AUG 65
C	SR12268	L S D	15 APR 66
D	CO21874	M B F	28 SEPT 66
E	CO22953	M B F	1 NOV 67
F	CO31643-8	BEN	9 OCT 74
G	CO33908	REB	4 NOV 74
H	CO-34722	J A L	7 JAN 76
J	CO44351	CO	6 DEC 78
K	CO47573	J M J	28 JUL 80

THIS DRAWING COVERS A PROPRIETARY ITEM AND IS THE PROPERTY OF MICRO SWITCH, A DIVISION OF MINNEAPOLIS-HONEYWELL REGULATOR CO. THIS DRAWING IS NOT TO BE COPIED OR USED WITHOUT THE APPROVAL OF MICRO SWITCH.

CHARACTERISTICS	ELECTRICAL DATA	SCALE FULL
OPERATING FORCE - - - - - 6 - 12 LB	CONTACT ARRANGEMENT S P D T	DO NOT SCALE PRINT
FULL OVERTRAVEL FORCE - 30 LB MAX	28 VDC	UNLESS OTHERWISE SPECIFIED
RELEASE FORCE - - - - - 4 LB MIN		SEA LEVEL
PRETRAVEL - - - - - .040 MAX	LOAD	TOLERANCES ARE:
DIFFERENTIAL TRAVEL - - .020 MAX	RES	ONE PLACE (.0) 2.000
OVERTRAVEL - - - - - .250 MIN	IND	TWO PLACE (.00) 2.015
	MOTOR	THREE PLACE (.000) 2.005
		ANGLES 2
		WEIGHT .8.6 OZ MAX

- NOTES
- 1 - SWITCH SEALED PER MIL-PRF-8805 SYMBOL 3
 - 2 - CIRCUIT DIAGRAM, CATALOG LISTING AND DATE CODE ARE SHOWN ON NAMEPLATE
- 3 4
 WIRE LEADS COLOR CODED TO SHOW LEAD IDENTIFICATION
 HARDWARE MAY BE PACKAGED UNASSEMBLED PER MIL-PRF-8805

RASTER
 -O-50378.003

Mouser Electronics

Authorized Distributor

Click to View Pricing, Inventory, Delivery & Lifecycle Information:

[Honeywell:](#)

[1CH28](#) [1CH28-4](#)