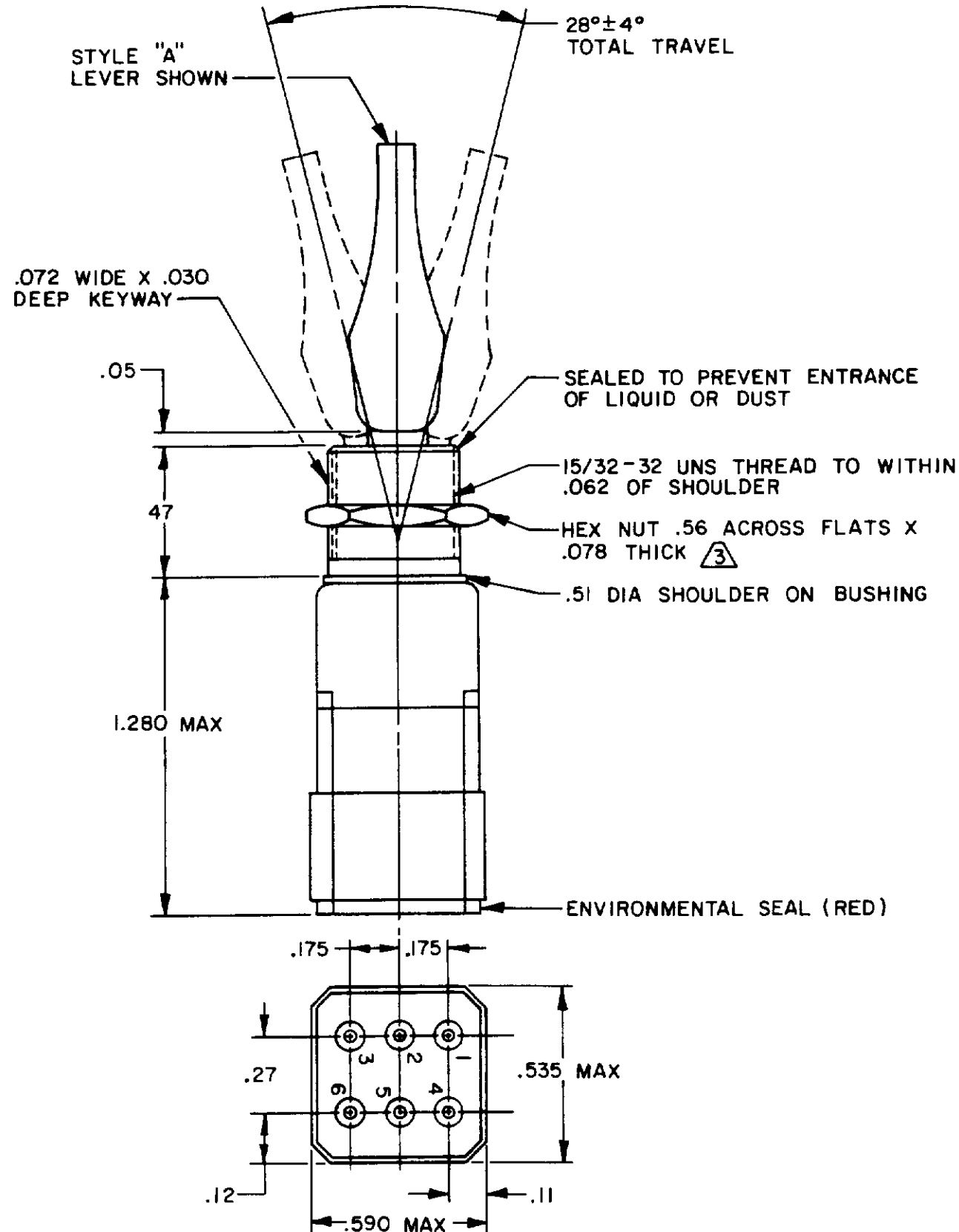
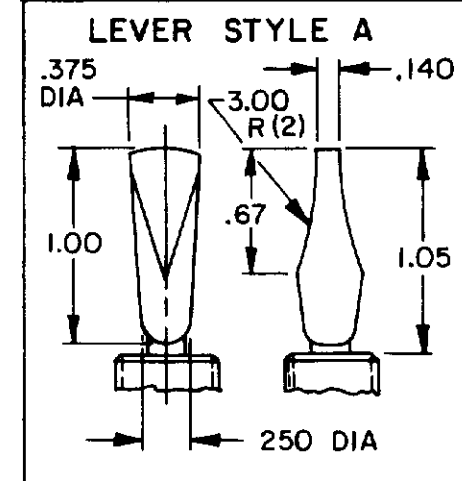


CATALOG LISTING
112TW19 SERIES CHART 1
PAGE 1 OF 1
RELEASE NO PR-14847
REPLACES
ISSUE **M**
5
CHECK
REVISIONS
A 10 JUN 94
B 10 JUN 94
CHECK K.F.G.
28 JUN 94
DRAWN
J.J.O. 10 JUN 94

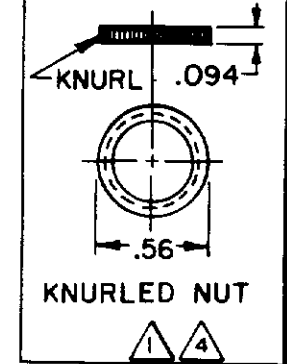
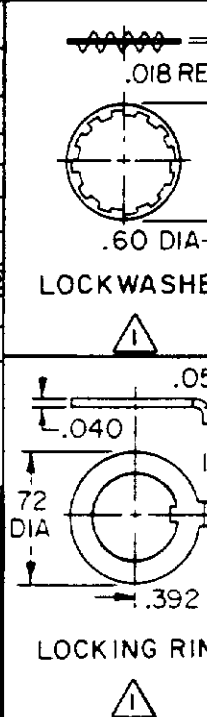


CATALOG LISTING	CIRCUIT MADE WITH TOGGLE LEVER IN		
	KEYWAY SIDE (1-2,4-5)	CENTER (1-2,4-5)	OPPOSITE KEYWAY (2-3,5-6)
112TW19-1	ON	OFF	ON
112TW19-2	OFF	NONE	ON
112TW19-3	ON	NONE	ON
112TW19-21	NONE	OFF	ON
112TW19-31	NONE	ON	ON
112TW19-4	MOM OFF	NONE	ON
112TW19-5	MOM ON	OFF	ON
112TW19-6	MOM ON	NONE	OFF
112TW19-7	MOM ON	OFF	MOM ON
112TW19-8	MOM ON	NONE	ON
112TW19-51	NONE	ON	MOM ON
112TW19-61	MOM ON	OFF	NONE

ELECTRICAL RATING
28 VDC & 125 VAC 5 AMP RES 2 AMP IND 1 AMP LAMP



LEVER COLOR CODE	
COLOR IDENT	COLOR
001	WT-07 WHITE
002	BK-09 BLACK
003	BL-05 BLUE
004	RD-08 RED
005	GN-08 GREEN
006	OR-06 ORANGE
007	GY-95 GRAY
008	GY-08 GRAY



- NOTES
- (1) FURNISHED UNASSEMBLED
 - 2 - TERMINATION WILL ACCEPT CRIMP CONTACT CONFORMING TO M39029/1-101
 - (3) MATTE FINISH
 - (4) BRIGHT FINISH
 - (5) SUFFIX MUST BE ADDED FOR DESIRED LEVER STYLE AND COLOR. (EXAMPLE 112TW19-1-A001)

THIRD ANGLE PROJECTION

SCALE 2:1

DO NOT SCALE PRINT

UNLESS OTHERWISE SPECIFIED TOLERANCES ARE

ONE PLACE	()	± 0
TWO PLACE	(00)	± 0
THREE PLACE	(000)	± 0
ANGLES		±

WEIGHT 042 LB MAX

Mouser Electronics

Authorized Distributor

Click to View Pricing, Inventory, Delivery & Lifecycle Information:

[Honeywell:](#)

[112TW19-7A-001](#)