

1200M/MR series

Robust momentary pushbutton switches - metal plunger

Distinctive features and specifications



- Butt action contacts, double break
- UL and CSA approved

B

ELECTRICAL SPECIFICATIONS

- Max. current/voltage rating with resistive load :
 - silver contacts (A) : 4A 250VAC - 8A 125VAC - 4A 24VDC - 8A 12VDC
 - silver plated copper contacts (C) : 2A 250VAC - 3A 125VAC - 2A 14VDC - 3A 12VDC
- Initial contact resistance : 10 mΩ max. at 1A 2VDC
- Insulation resistance : 1.000 MΩ min. at 500VDC
- Dielectric strength :
 - 2.000 Vrms 50 Hz min. between terminals
 - 3.000 Vrms 50 Hz min. between terminals and frame
- Electrical life : 10.000 cycles at full load

MATERIALS

- Case : polyamide
- Plunger : top chrome plated brass on polyamide base
- Bushing : brass, nickel plated
- Cap nut : brass, chrome plated
- Contacts : **A** : silver
C : copper, silver plated

GENERAL SPECIFICATIONS

- Torque : 1,50 Nm (1.10 Ft.lb) max. applied to nut
- Panel thickness : 4,5 mm (.177) max.
- Total travel :
 - NO : 4,5 mm (.177) +/- 0,3 (.011)
 - NC : 3,5 mm (.137) +/- 0,3 (.011)
- Operating temperature : -20°C to +55°C

AGENCY APPROVALS



4A 250VAC - 8A 125VAC

Availability : approved models are 1213A and 1203A (M or MR) (model 1223A is only UL approved).

Marking : to order switches marked UL or CSA, complete appropriate box of ordering format.

ABOUT THIS SERIES

Dimensions : first dimensions are in mm while inches are shown as bracketted numbers.



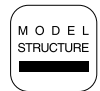
Mounting accessories : standard hardware supplied with all models : 1 hex nut U166 and 1 conic cap nut U1866-6. Special cap nut U1874 is presented on the following pages.



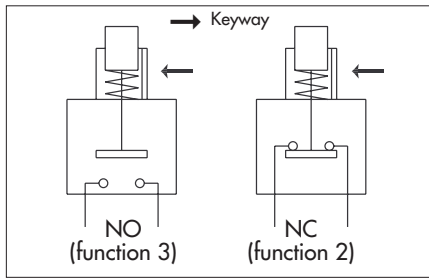
Packaging unit : 40 pieces

1200M/MR series

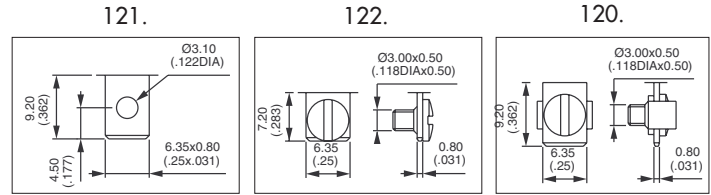
Robust momentary pushbutton switches - metal plunger



Solder lug/quick-connect terminals - screw terminals



- Flat or curved plunger
- Panel cut-out \varnothing 12,2 (.480)
- Single pole



MODEL STRUCTURE



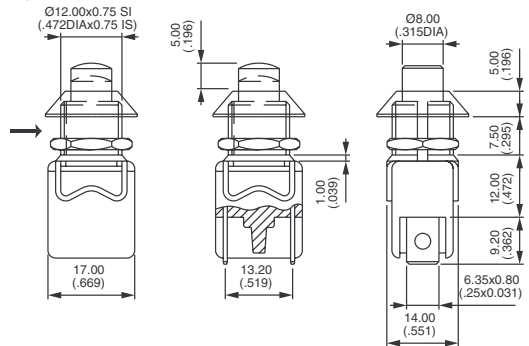
B

Solder lug/quick-connect terminals 6,35 x 0,8 (.250 x .031) → Keyway



Curved plunger Flat plunger

1212MR	1212M		NC
1213MR	1213M		NO

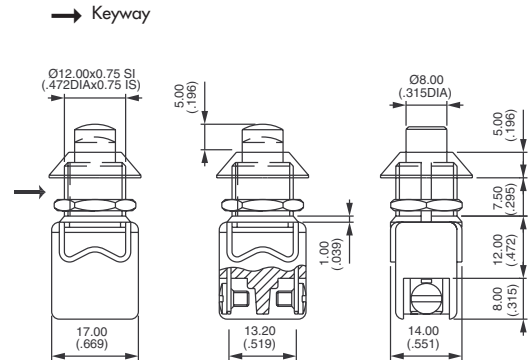


Screw terminals



Curved plunger Flat plunger

1222MR	1222M		NC
1223MR	1223M		NO

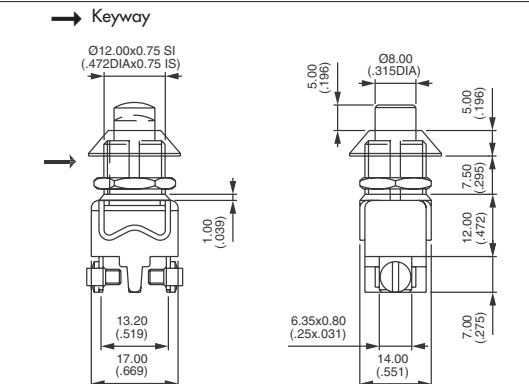


Screw terminals + clamp



Curved plunger Flat plunger

1202MR	1202M		NC
1203MR	1203M		NO

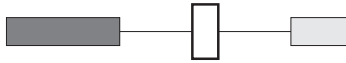




1200M/MR series

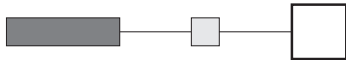
Robust momentary pushbutton switches - metal plunger

CONTACT MATERIALS



- A Silver
- C Copper, silver plated

AGENCY APPROVALS



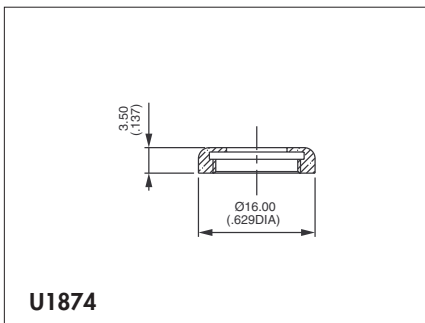
UL - CSA

Availability : approved models are 1213A and 1203A (M or MR) - model 1223A is only UL approved.

Marking : to order switches marked UL or CSA, complete above box with desired approvals.

SPECIAL CAP NUT

Chrome plated cap nut $\varnothing 16$ (.629), flat and plain.
Can be supplied instead of standard cap nut U1866-6.
Order separately.



B