

MICRO SWITCH

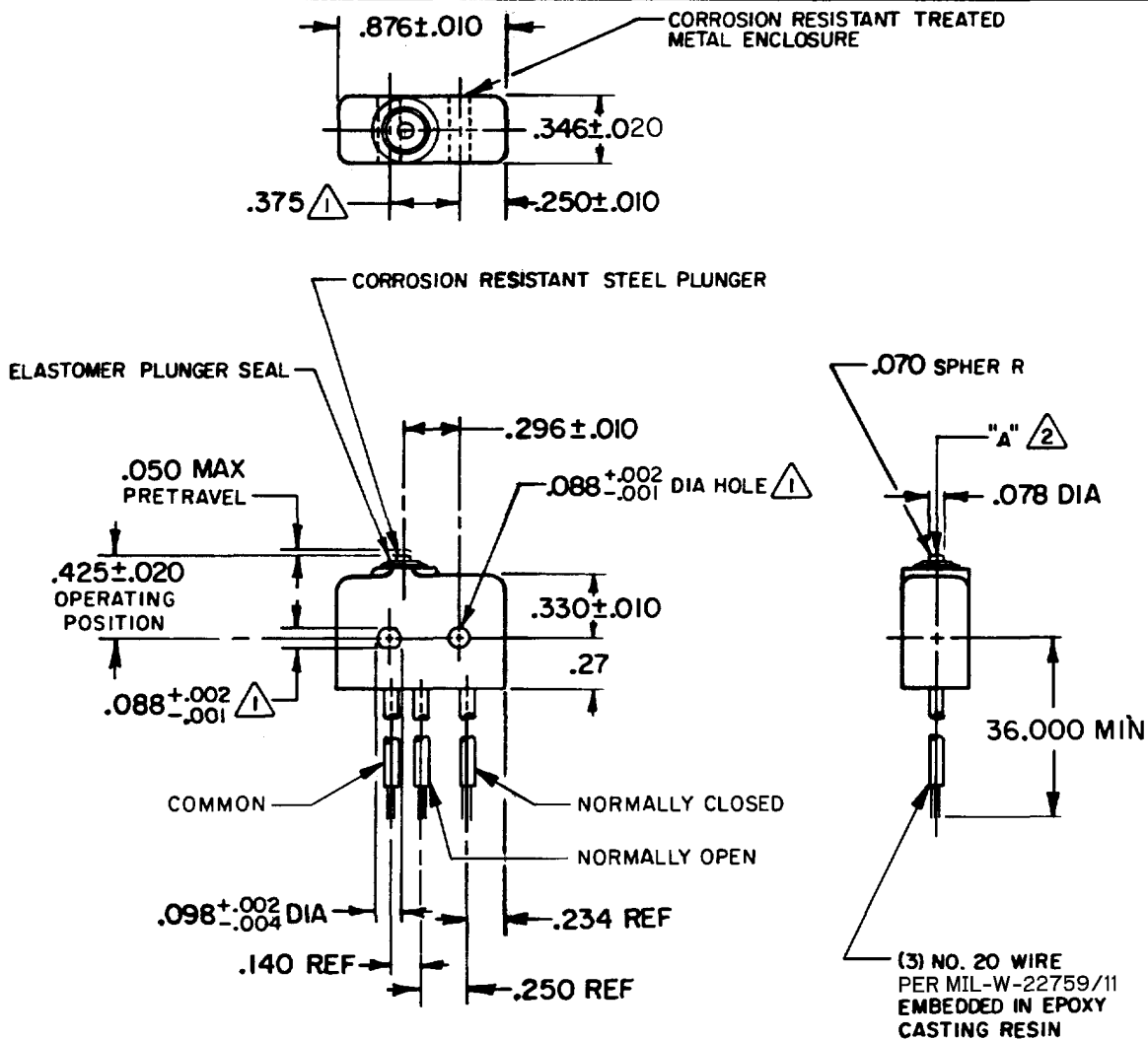
FREERPORT ILLINOIS, U.S.A
A DIVISION OF HONEYWELL
FED. MFG. CODE 91929

SWITCH-BASIC

CATALOG LISTING

ISE401-3

ISE401-3
PAGE 1 OF 1
M
DRAWING NUMBER
X
ISSUE
3
RELEASE NO. PR-11902
REPLACES

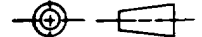


NOTES

- (1) MOUNTING HOLES WILL ACCEPT $.087$ MAX DIA PINS OR SCREWS ON $.375 \pm .002$ CENTERS
- (2) ACTUATION IN LINE WITH ARROW "A" IS RECOMMENDED
- (3) WEIGHT OF SWITCH ONLY IS $.26$ OZ MAX. WEIGHT OF SWITCH WITH WIRE LEADS IS 1.40 OZ MAX
- 4 - CONTACT MATERIAL - 24K GOLD PLATED BIFURCATED CONTACTS

THIS DRAWING COVERS A PROPRIETARY ITEM AND IS THE PROPERTY OF MICRO SWITCH, A DIVISION OF HONEYWELL. THIS DRAWING IS NOT TO BE COPIED OR USED WITHOUT THE APPROVAL OF MICRO SWITCH.

THIRD ANGLE PROJECTION



CHARACTERISTICS

OPERATING FORCE ----- 5 - 17 OZ
RELEASE FORCE ----- 4 OZ MIN
RELEASE TRAVEL ----- .004 MIN
DIFFERENTIAL TRAVEL ----- .004 MAX
OVERTRAVEL ----- .003 MIN

ELECTRICAL DATA

CONTACT ARRANGEMENT
S P D T
30 VOLTS DC RATING
INDUCTIVE ----- SEA LEVEL - 1/2 AMP
RESISTIVE ----- SEA LEVEL --- 1 AMP

SCALE FULL

DO NOT SCALE PRINT

TOLERANCES
APPLY TO DESIGN UNITS. CONVERSIONS ARE ONLY FOR REFERENCE. UNLESS NOTED, TOLERANCES ARE ±

NO PLACES	DIM. in	TOL. mm/in	DIM. in	TOL. mm/in
ONE PLACE	X	1/.04	X.X	0.87/03
TWO PLACES	X.X	0.4/.018	X.XX	0.38/.016
THREE PLACES	X.XX	0.15/.008	X.XXX	0.13/.005

DESIGN UNITS SI METRIC US CUSTOMARY

WEIGHT (3)

FORMTEK
FO-5284B-A
DRAWN
DJS 4 FEB 83
CHECK DJS 7 FEB 83
CHECK