

# MICRO SWITCH

FREEPORT ILLINOIS, U.S.A  
A DIVISION OF HONEYWELL

FED. MFG. CODE 91929

# SWITCH-BASIC

CATALOG LISTING  
**ITBI-13**

ISSUE 1

REPLACES

RELEASE NO. PR-409

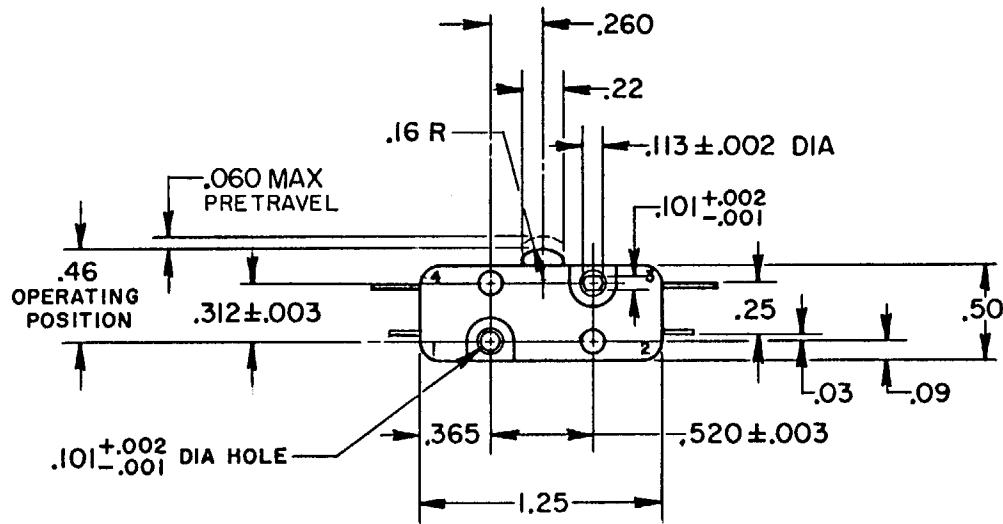
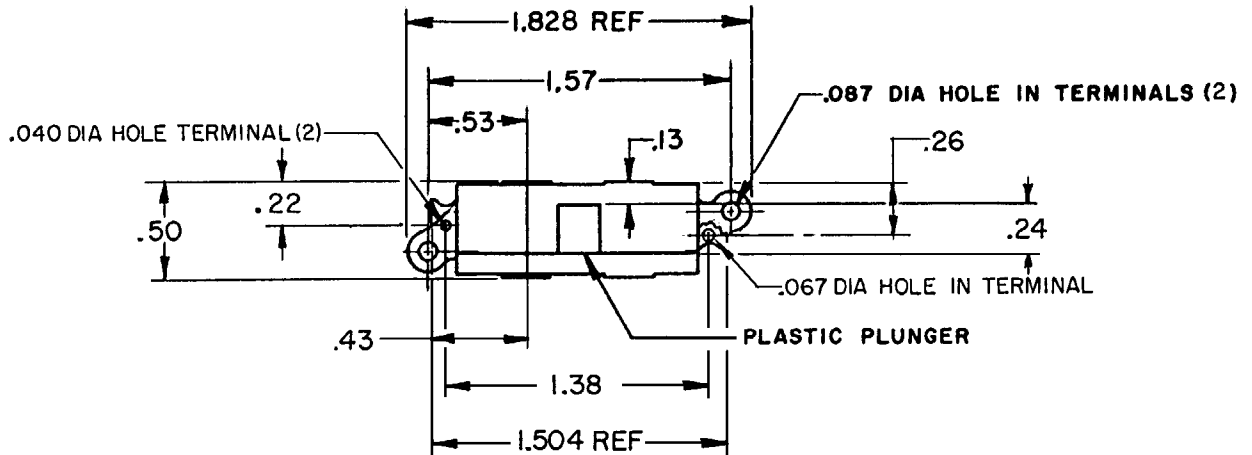
**M**ITBI-13

DRAWING NUMBER

6

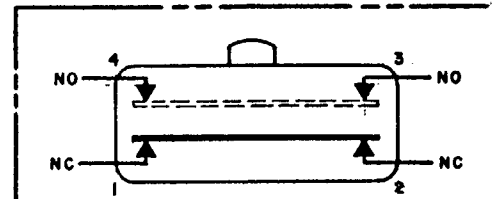
ISSUE

CHECK



- NOTE -
- 1 - TERMINALS 1 AND 2 NORMALLY CLOSED CIRCUIT
  - 2 - TERMINALS 3 AND 4 NORMALLY OPEN CIRCUIT
  - 3 - TERMINALS ARE PLATED FOR SOLDERING
  - 4 - SWITCH WILL WITHSTAND TEMPERATURE OF 250°F

CIRCUIT DIAGRAM



THIS DRAWING COVERS A PROPRIETARY ITEM AND IS THE PROPERTY OF MICRO SWITCH, A DIVISION OF HONEYWELL. THIS DRAWING IS NOT TO BE COPIED OR USED WITHOUT THE APPROVAL OF MICRO SWITCH.

## CHARACTERISTICS

OPERATING FORCE - - - - - 7-13 OZ  
RELEASE FORCE - - - - - 4 OZ MIN  
DIFFERENTIAL TRAVEL - - - - .010-.025  
OVERTRAVEL - - - - - .010 MIN

## ELECTRICAL DATA

CONTACT ARRANGEMENT  
SEE CIRCUIT DIAGRAM

L25 10A-125 OR 250 VAC  
1/2HP-125 VAC



## SCALE FULL

DO NOT SCALE PRINT

UNLESS OTHERWISE NOTED  
DIMENSIONS ARE IN INCHES

## TOLERANCES ARE:

ONE PLACE (.0) ±.030  
TWO PLACE (.00) ±.015  
THREE PLACE (.000) ±.005  
ANGLES ±

WEIGHT

## REVISIONS

A	PR-409	
	RER	29 OCT 68
B	C033498	
	DBW	14 MAY 74
C	C036022	
	RER	29 OCT 75
D	C059824	
	JAS	18 SEPT 86
E	0002114	
	CSL	13 NOV 03

CHECK

29 OCT 68

LSD

CHECK

68

OCT 68

RER

RASTER

FO-50378-1A

DRAWN