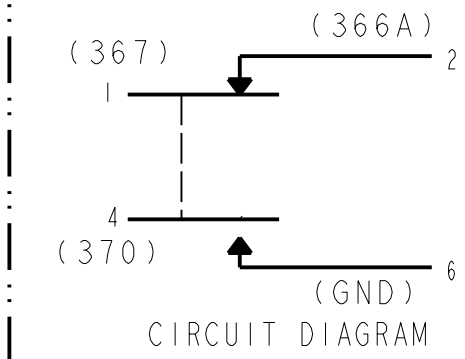


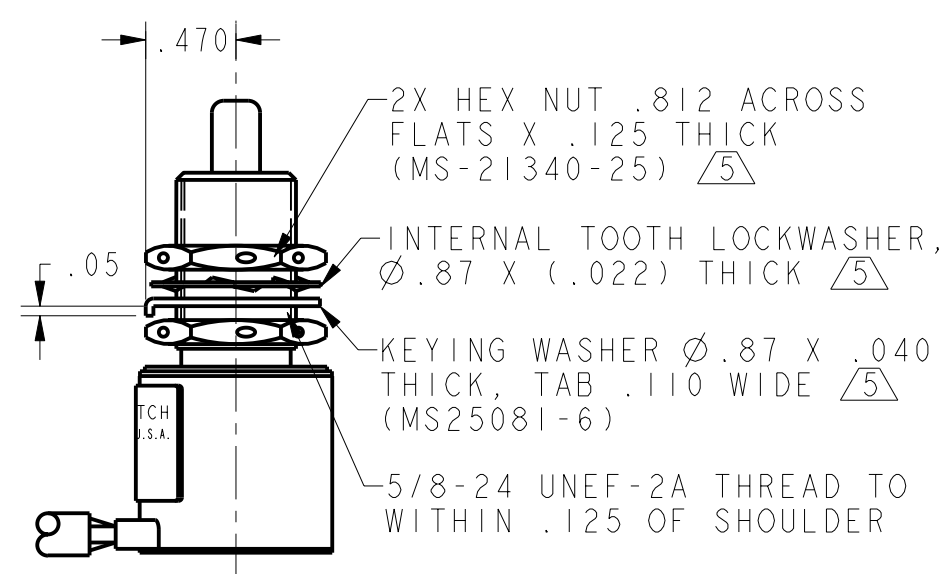
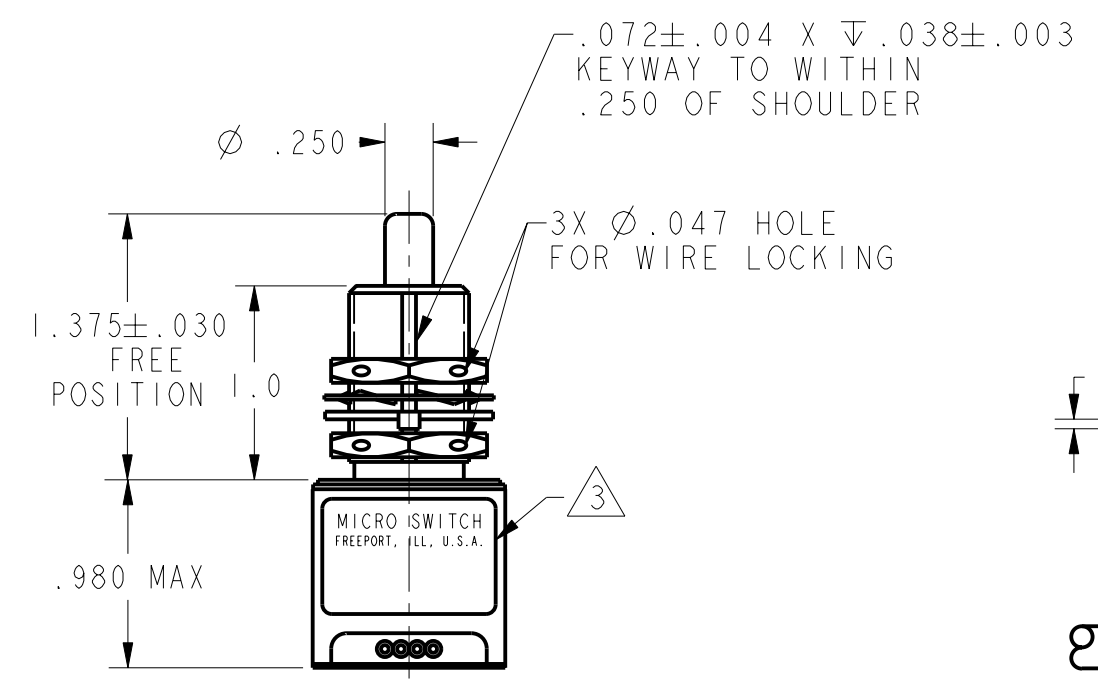
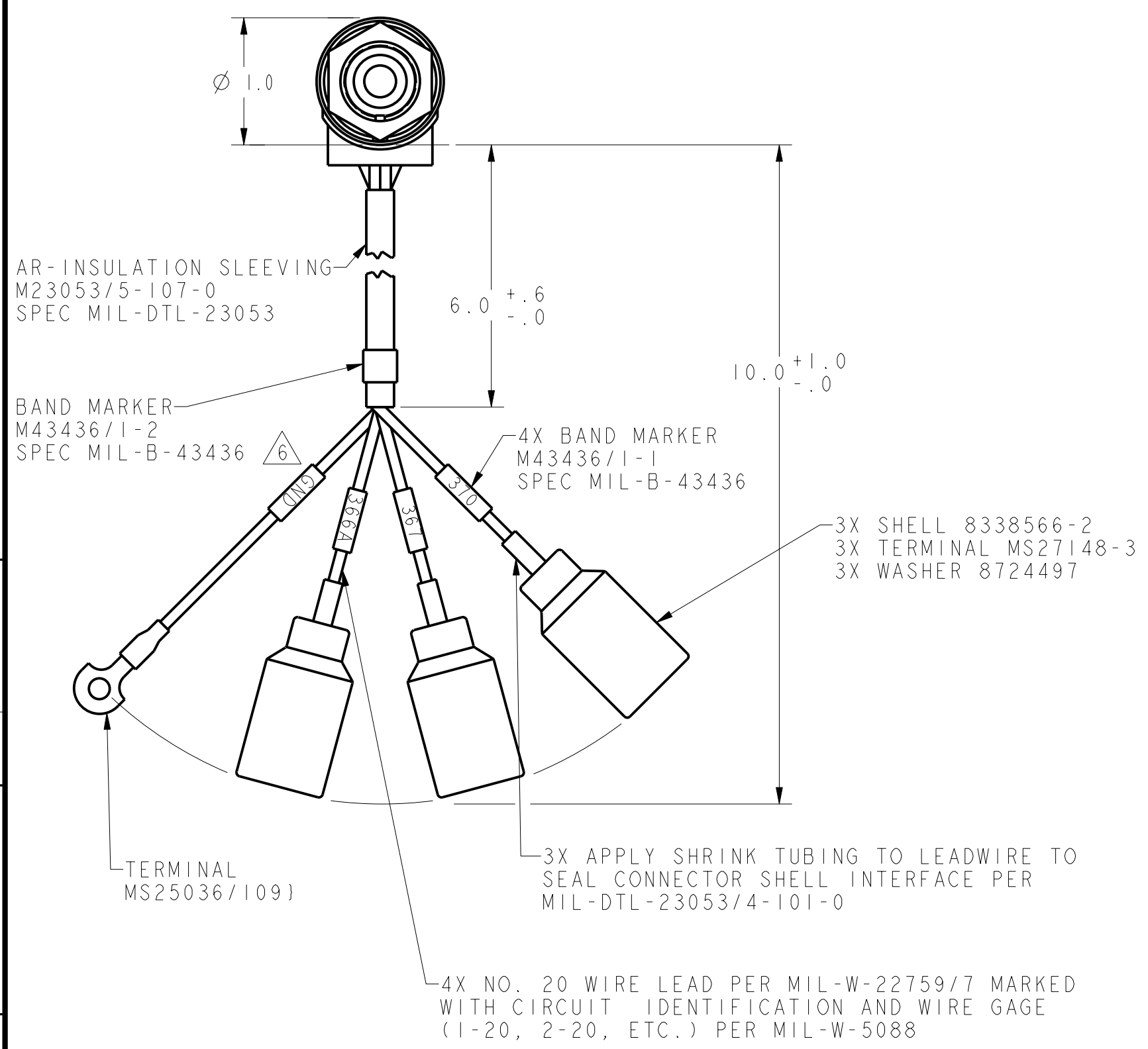
M

1EN617



| LEADWIRE # | LABEL |
|------------|--------------|
| 1 | 367 |
| 2 | 366A |
| 3 | NOT ATTACHED |
| 4 | 370 |
| 5 | NOT ATTACHED |
| 6 | GND |

| SPECIFICATION DETAILS: | | | | |
|---|--|-----------|-----------------------|-----------------|
| STANDARD: | CONFORMS TO MS24331-1 (MIL-PRF-8805/40) | | | |
| CONSTRUCTION: | | | | |
| ENCLOSURE DESIGN | RESILIENT SEAL PER MIL-PRF-8805, SYMBOL 4 | | | |
| CONTACT MATERIAL & CONFIGURATION | SMOOTH SILVER CONTACTS | | | |
| CIRCUIT CONFIGURATION | 2 SPST | | | |
| TERMINATION | LEADWIRE PER MIL-W-22759/7 | | | |
| WEIGHT | .46 LB | | | |
| EXPOSED METALS | CORROSION RESISTANT STAINLESS STEEL (UNLESS OTHERWISE SPECIFIED) | | | |
| O-RING MATERIAL | SILICONE | | | |
| ELECTRICAL CHARACTERISTICS: | | | | |
| ELECTRICAL RATINGS | | | | |
| | VOLTAGE | RESISTIVE | LOAD INDUCTIVE | MOTOR |
| -SEA LEVEL | 28 VDC | 4A | 2A | 4A |
| -50,000 FEET | 28 VDC | 4A | 2A | 4A ⁴ |
| DIELECTRIC STRENGTH & INSULATION RES | | | | |
| | DIELECTRIC STRENGTH | | INSULATION RESISTANCE | |
| | ≈ 60 Hz FOR 5 SEC | | (500 VDC ±10%) | |
| -BETWEEN TERMINALS AND EXPOSED NON-CURRENT CARRYING METAL | 1000V RMS, 500μA (MAX LKG) | | 1000 MEGOHM MIN | |
| -BETWEEN TERMINALS OF MUTUALLY INSULATED CIRCUITS | 1000V RMS, 500μA (MAX LKG) | | 1000 MEGOHM MIN | |
| -BETWEEN ALL UNCONNECTED TERMINALS OF THE SAME POLE | 1000V RMS, 500μA (MAX LKG) | | 1000 MEGOHM MIN | |
| SWITCH RESISTANCE | N/A | | | |
| RECOMMENDATION OR USE IN APPL LESS THAN .5 amps AND/OR 12 volts | NO ² | | | |
| MECHANICAL CHARACTERISTICS: | | | | |
| COINCIDENCE OF OPERATING AND RELEASING POINTS | .010 OF PLUNGER TRAVEL | | | |
| OPERATING FORCE | 6-12 LBS | | | |
| FULL OVERTRAVEL FORCE | 30 LB MAX | | | |
| RELEASE FORCE | 4 LB MIN | | | |
| PRETRAVEL | .040 MAX | | | |
| DIFFERENTIAL TRAVEL | .020 MAX | | | |
| OVERTRAVEL | .250 MIN | | | |
| MOUNTING STRENGTH | 15 IN-LBS | | | |
| ACTUATOR STRENGTH | 30 LBS APPLIES IN A DIRECTION TO CAUSE SWITCH ACTUATION | | | |
| LIFE: | | | | |
| MECHANICAL LIFE | 25,000 MIN | | | |
| ELECTRICAL LIFE AT FULL RATED LOAD | PER MIL-PRF-8805/40 ⁴ | | | |
| ENVIRONMENTAL: | | | | |
| TEMPERATURE RANGE | -55° C TO +85° C | | | |
| ALTITUDE RANGE | SEA LEVEL TO 50,000 FT | | | |
| SHOCK | PER MIL-PRF-8805 SYM M-100g | | | |
| VIBRATION | PER MIL-PRF-8805 SYM I-10-500 Hz & 10g PEAK | | | |
| MOISTURE RESISTANCE | PER MIL-PRF-8805 | | | |
| THERMAL SHOCK | PER MIL-PRF-8805 | | | |
| SALT SPRAY | PER MIL-PRF-8805 | | | |



NOTES

¹ LIFE RATINGS ARE PER MIL-PRF-8805 REQUIREMENTS. ACTUAL LIFE EXCEEDS RATED LIFE. CONTACT HONEYWELL-MICRO FOR ADDITIONAL DATA

² CONTACT HONEYWELL-MICRO SWITCH IF ADDITIONAL INFORMATION ON LOW ENERGY LOADS IS REQUIRED OR FOR HELP WITH SPECIFIED APPLICATIONS

³ CIRCUIT DIAGRAM, CATALOG LISTING, DATE CODE AND CUSTOMER PART NUMBER 12349868 ON NAMEPLATE

⁴ APPLICATION INFORMATION ONLY

⁵ HARDWARE MAY BE PACKAGED UNASSEMBLED PER MIL-PRF-8805

⁶ METAL STAMP, ENGRAVE OR ELECTRIC ARC PENCIL ON BAND MARKER IN .12-.19 HIGH CHARACTERS PER MIL-STD-130 19207-12349868 AND MANUFACTURING CAGE CODE. (PRIME MANUFACTURER SUPPLIER FURNISHING TO GOVERNMENT)

| THIRD ANGLE PROJECTION | | |
|---|--------|-------|
| | | |
| SCALE FULL | | |
| DO NOT SCALE PRINT | | |
| UNLESS OTHERWISE SPECIFIED TOLERANCES ARE | | |
| ONE PLACE | (.0) | ±.030 |
| TWO PLACES | (.00) | ±.015 |
| THREE PLACES | (.000) | ±.005 |
| ANGLES | | ± |
| WEIGHT | | |

THIS DRAWING COVERS A PROPRIETARY ITEM AND IS THE PROPERTY OF MICRO SWITCH, A DIVISION OF HONEYWELL. THIS DRAWING IS NOT TO BE COPIED OR USED WITHOUT THE APPROVAL OF MICRO SWITCH.

MICRO SWITCH
a Honeywell Division

SWITCH - ENCLOSED

CATALOG LISTING
1EN617

ANSI Y14.5M-1982 APPLIES

FED. MFG. CODE 91929

P.T.C./CAD [20] DRAWN TSM CHECK JAF
 IEN617 DRAWING NUMBER 3 ISSUE 3
 RELEASE NO. PR-24162
 REVISIONS: A 200428 18 MAY 00, B 201706 17 NOV 00
 CHECK IDEC99
 CHECK IDEC99

Mouser Electronics

Authorized Distributor

Click to View Pricing, Inventory, Delivery & Lifecycle Information:

[Honeywell:](#)

[1EN617](#)