

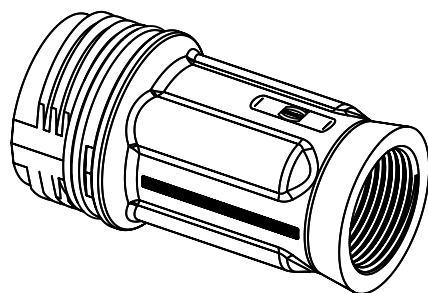
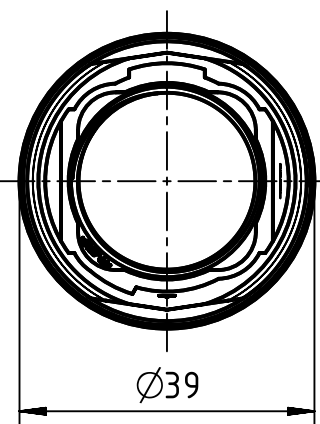
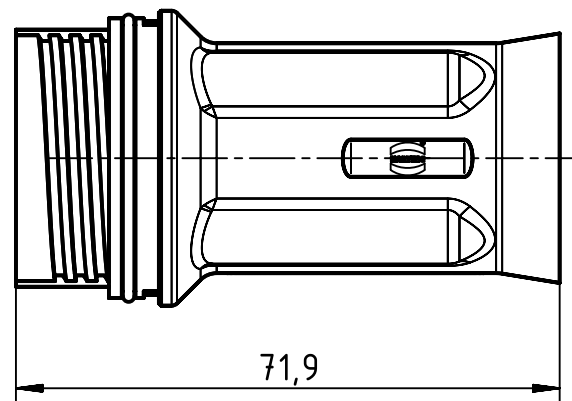
1 2 3 4 5 6


A

B

C

D



| | | | | | | | | |
|---|--|---|--|--------------------------|------------------------|-----------------------------|--|------------------------|
|  | All rights reserved Department EL PD - DE | All Dimensions in mm Original Size DIN A4 | | Scale 1:1 | Free size tol. | | Ref. | |
| | | HARTING Electric GmbH & Co. KG D-32339 Espelkamp | | Created by HOLLERT | Inspected by GARSKE | Standardisation TIEMANNA | Date 2015-10-15 | State Final Release |
| Title Han F+B hood cable to cable | | | | | | | Doc-Key / ECM-Nr. 100602326/UGD/001/D 500000095520 | |
| Type TB | | | | Number 19 15 503 1701 | | | Rev. D | Page 1/1 |

Mouser Electronics

Authorized Distributor

Click to View Pricing, Inventory, Delivery & Lifecycle Information:

HARTING:

[019155031701](#) [19155031701](#)