

THIS DRAWING COVERS A PROPRIETARY ITEM AND IS THE PROPERTY OF MICRO SWITCH, A DIVISION OF HONEYWELL. THIS DRAWING IS NOT TO BE COPIED OR USED WITHOUT THE APPROVAL OF MICRO SWITCH.

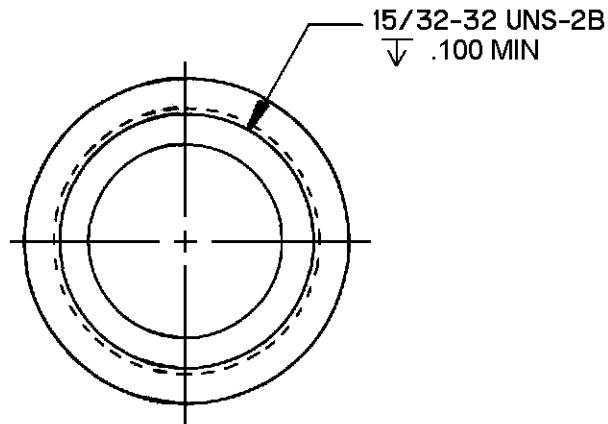
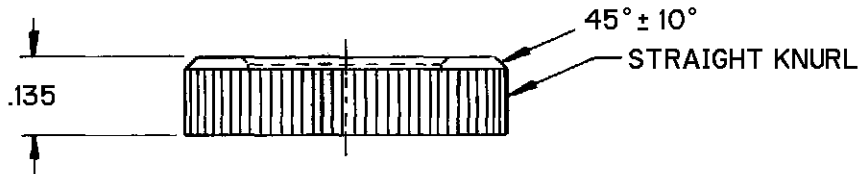
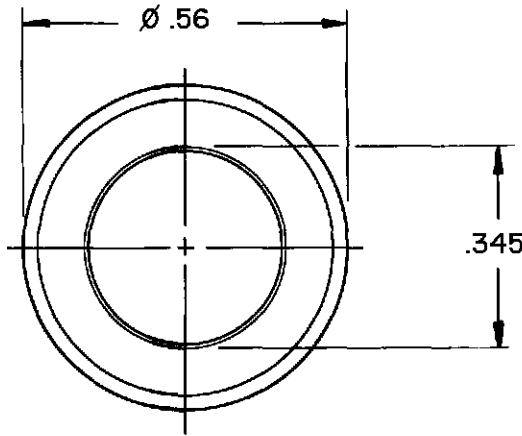
CATALOG LISTING
19PA6-2
PAGE 1 OF 1
RELEASE NO. PR-2004

ISSUE **M**
5

REVISIONS

A	CO-84106	CSL	20 NOV 96
B	202973	CSL	30 APR 01

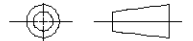
RASTER
DRAWN
CSL 20 NOV 96



NOTES

- 1 - BASE METAL: CDA 360 BRASS
- 2 - FINISH: NICKEL PLATE BRIGHT
- 3 - PACKET: CONSISTING OF (1) EACH NUT INDIVIDUALLY BAGGED AND LABELED WITH CATALOG LISTING AND DATE CODE

THIRD ANGLE PROJECTION



SCALE **3:1** DO NOT SCALE PRINT

UNLESS OTHERWISE SPECIFIED TOLERANCES ARE		
ONE PLACE	(.0)	±.030
TWO PLACE	(.00)	±.015
THREE PLACE	(.000)	±.005
ANGLES		±

WEIGHT **.05 OZ APPROX**