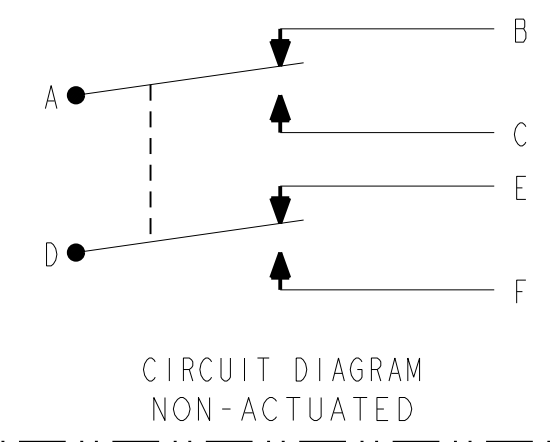
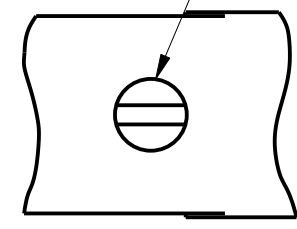


ROLLER LEVER MAY BE ADJUSTED FOR AN INFINITE NUMBER OF POSITIONS THRU 360°. ADJUSTMENT IS MADE BY LOOSENING THE LOCK NUT AND THEN THE LOCKSCREW AND TURNING GEAR UNTIL LEVER IS IN DESIRED POSITION SCREW AND LOCK NUT ON SHAFT IS THEN TIGHTENED TO POSITIVELY LOCK LEVER IN POSITION.

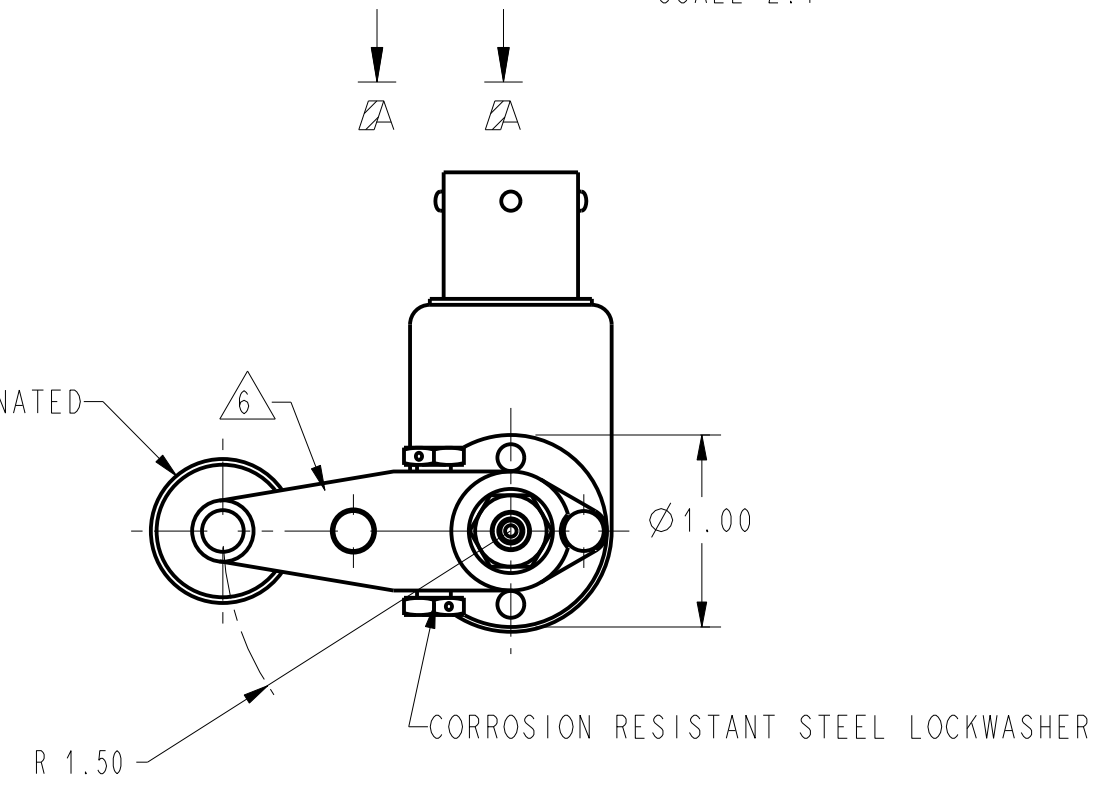


CORROSION RESISTANT STEEL ADJUSTING WORM GEAR

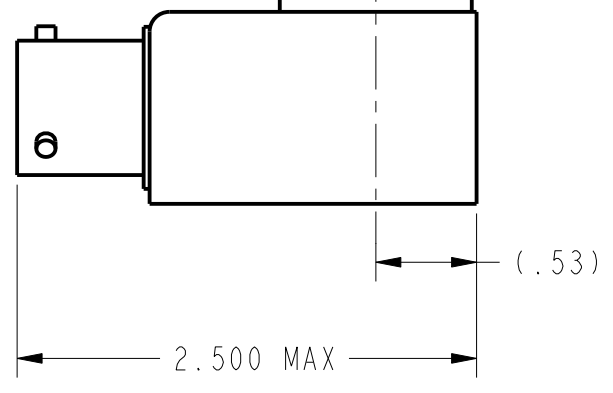
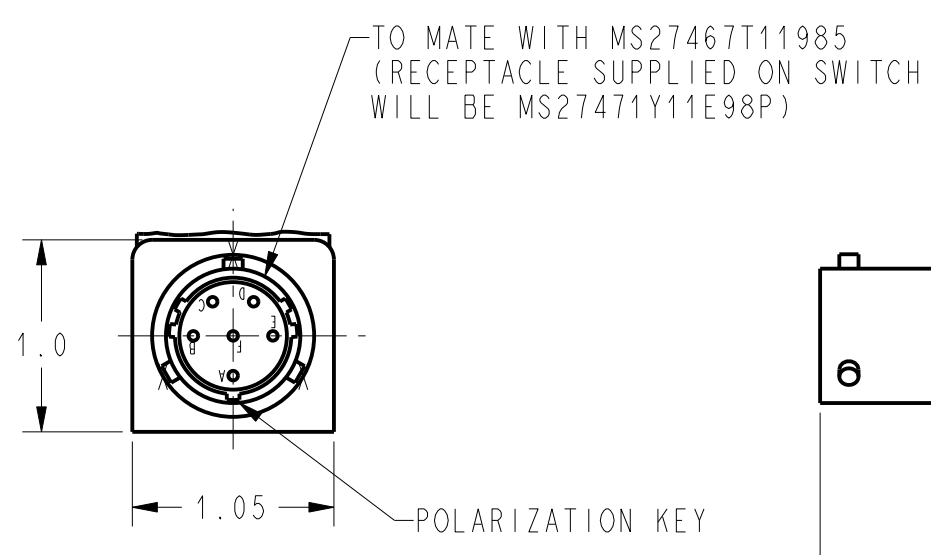
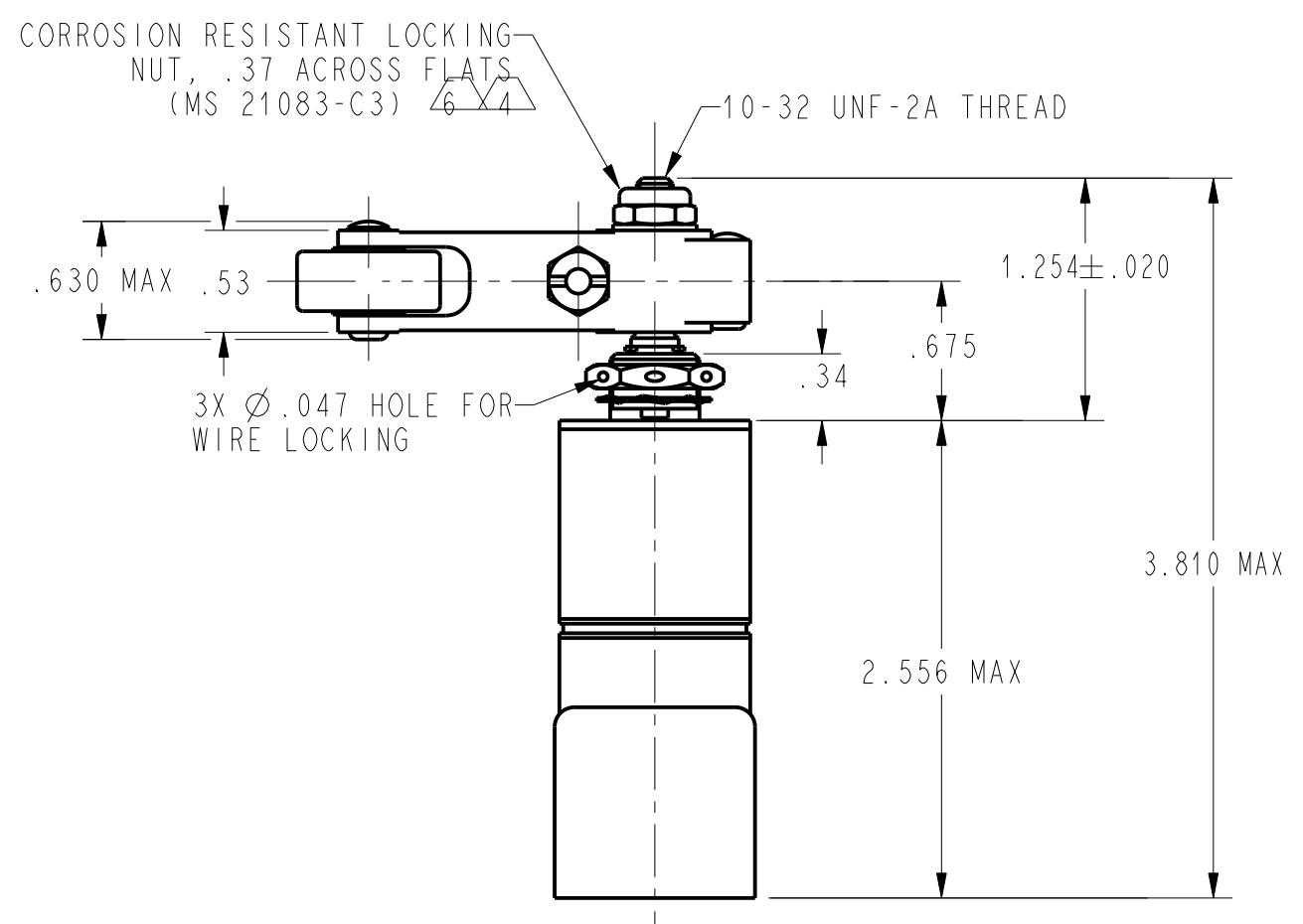


- NOTES
- 1 - NOTED ELECTRICAL RATING APPLY AS SPECIFIED IN MIL-PRF-8805/40-1 UP TO 185°F
  - 2 - SWITCH SEALED PER MIL-PRF-8805, SYMBOL 4
  - 3 - CORROSION RESISTANT STEEL SHAFT, BUSHING AND PINS DO NOT APPLY MORE THAN 20-25 INCH-POUNDS OF TORQUE WHEN TIGHTENING LOCKING NUT
  - 4 - CIRCUIT DIAGRAM, CAT LISTING, AND FCSM NO. ARE MARKED ON SWITCH
  - 5 - HARDWARE MAY BE PACKAGED UNASSEMBLED PER MIL-PRF-8805
  - 6 - REPLACEMENT MOUNTING HARDWARE - PACKET 19PA10
  - 8 - .050 WIDE X .050 SLOT
  - 9 - Ø.037 HOLE FOR WIRE LOCKING

(Ø.750) X .31 WIDE LAMINATED PHENOLIC ROLLER



- CORROSION RESISTANT STEEL WASHER Ø.438 X .032 THICK (AN960-2101) 6
- 15/32-32 UNS-2A THREAD TO WITHIN .062 OF SHOULDER
- CORROSION RESISTANT STEEL HEX NUT .62 ACROSS FLATS X .125 THICK (MS21340-04) 6
- CORROSION RESISTANT STEEL INTERNAL TOOTH LOCKWASHER, Ø.59 X (.018) THICK (MS35333-124) 6
- 2X Ø.140 X .062 HIGH PINS LOCATED ON Ø.765 CENTERS



131EN93-R  
 DRAWING NUMBER  
 ISSUE 6  
 PAGES 1 OF 1  
 RELEASE NO. PR-21908  
 CHECK  
 REVISIONS  
 A 205916  
 D L T 26 JUN 02  
 B 0000868  
 JUL 28 JUL 03  
 CHECK  
 SAV 26 JUN 02  
 P.T.C./CAD 20  
 D L T 26 JUN 02  
 CHECK

CHARACTERISTICS		ELECTRICAL DATA	
OPERATING TORQUE	12-25 IN LB	CONTACT ARRANGEMENT	
RELEASE TORQUE	9 IN LB MIN	2X S P D T (SEE CIRCUIT DIAGRAM)	
PRETRAVEL		LOAD	28 VDC
DIFFERENTIAL TRAVEL		SEA LEVEL	50,000 FT
OVERTRAVEL		RES	4
FREE POSITION		IND	2
		MOTOR	4

ANSI Y14.5M-1982 APPLIES

THIS DRAWING COVERS A PROPRIETARY ITEM AND IS THE PROPERTY OF MICRO SWITCH, A DIVISION OF HONEYWELL. THIS DRAWING IS NOT TO BE COPIED OR USED WITHOUT THE APPROVAL OF MICRO SWITCH.

**MICRO SWITCH**  
a Honeywell Division

**SWITCH - ENCLOSED**

CATALOG LISTING  
**131EN93-R**

THIRD ANGLE PROJECTION

SCALE FULL

DO NOT SCALE PRINT

UNLESS OTHERWISE SPECIFIED TOLERANCES ARE

ONE PLACE	(.0)	±.030
TWO PLACES	(.00)	±.015
THREE PLACES	(.000)	±.005
ANGLES		±

WEIGHT 12.0 OZ MAX