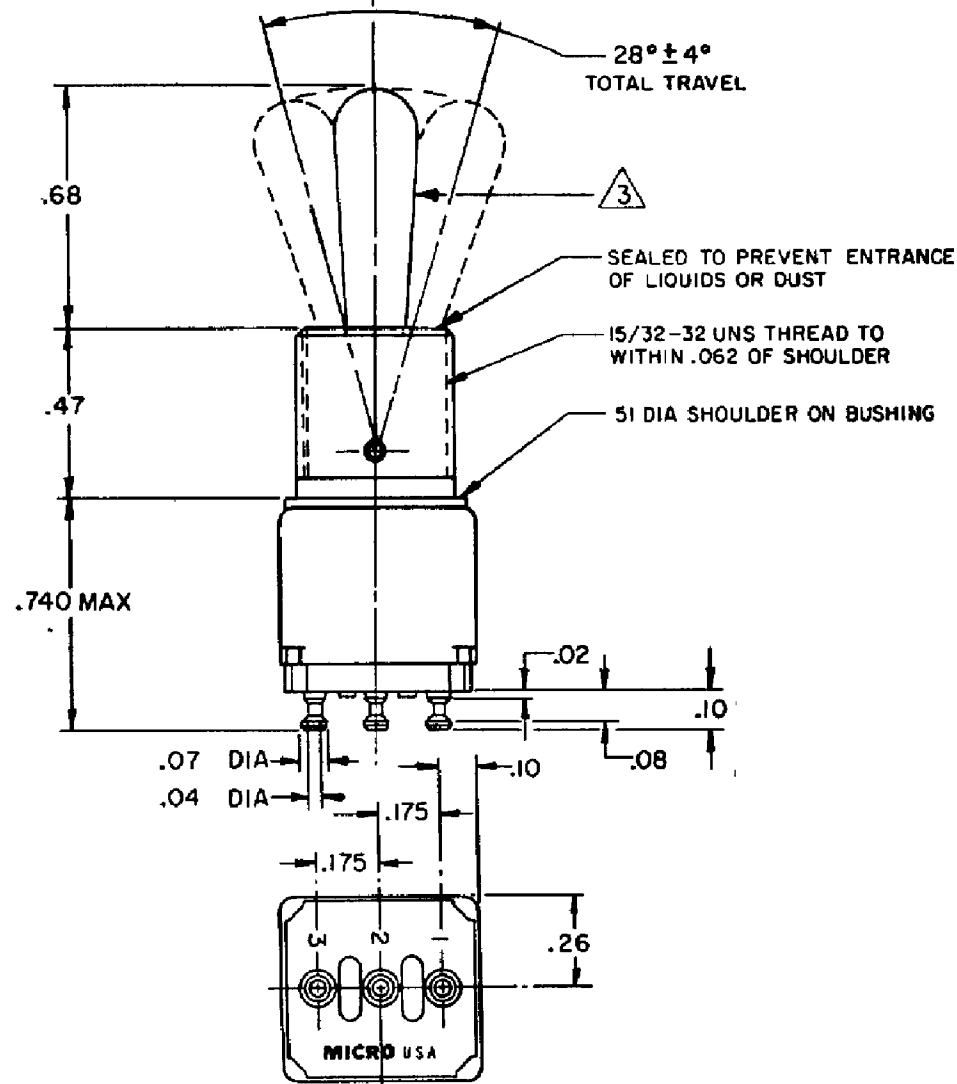
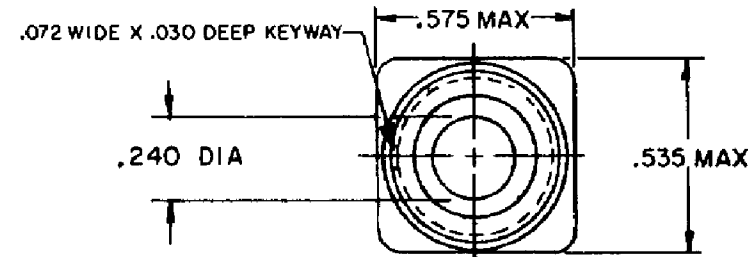


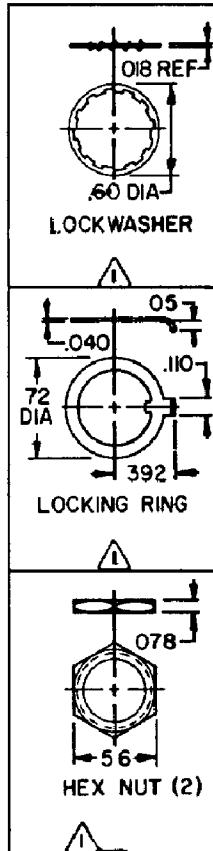
HONEYWELL  
PART NUMBER

11TW105-7

REV	DOCUMENT	CHANGED BY	CHECK
A	0043279	KVS 05SEP08	ASD



CATALOG LISTING	CIRCUIT MADE WITH TOGGLE LEVER IN			ELECTRICAL DATA
	KEYWAY SIDE (1-2)	CENTER (1-2)	OPPOSITE KEYWAY (2-3)	
11TW105-1	ON	OFF	ON	5A-125 VAC
11TW105-2	OFF	NONE	ON	
11TW105-3	ON	NONE	ON	
11TW105-21	NONE	OFF	ON	5A-125 VAC
11TW105-31	NONE	ON	ON	
11TW105-4	MOM OFF	NONE	ON	
11TW105-5	MOM ON	OFF	ON	
11TW105-6	MOM ON	NONE	OFF	
11TW105-7	MOM ON	OFF	MOM ON	
11TW105-8	MOM ON	NONE	ON	
11TW105-41	NONE	MOM OFF	ON	
11TW105-51	NONE	ON	MOM ON	
11TW105-61	MOM ON	OFF	NONE	



NOTES

- ① - FURNISHED UNASSEMBLED
- ② - TERMINALS ARE PLATED FOR SOLDERING
- ③ - MATTE FINISH
- 4 - TEMPERATURE RANGE -40°F TO 160°F (-40°C TO 71°C)

DESIGN UNITS: INCH	
TOLERANCES UNLESS NOTED:	
NO PLACES	X ± .030
ONE PLACE	.X ± .015
TWO PLACE	.XX ± .005
THREE PLACE	.XXX ±
ANGLES	X ±
THIRD ANGLE PROJECTION	

DRAWN	SS	01SEP08
CHECK	BLR	01SEP08
THIS DRAWING COVERS A PROPRIETARY ITEM AND IS THE PROPERTY OF HONEYWELL. THIS DRAWING IS NOT TO BE COPIED OR USED WITHOUT THE PERMISSION OF HONEYWELL.		
INTERPRET PER ASME Y14.5M-1994 OTHER HONEYWELL ENGINEERING STANDARDS MAY APPLY		
RASTER		

<b>Honeywell</b>				
TITLE <b>SWITCH - TOGGLE</b>				
SIZE	TYPE	CAGE CODE	DRAWING NAME	REV
<b>B</b>	<b>I</b>	-	<b>11TW105_SERIES_CHART_1</b>	<b>A</b>
SCALE	- WEIGHT .025 LB MAX		SHEET	1 OF 1

# Mouser Electronics

Authorized Distributor

Click to View Pricing, Inventory, Delivery & Lifecycle Information:

[Honeywell:](#)

[11TW105-7](#)