

MICRO SWITCH
a Honeywell Division

FED. MFG. CODE 91929

SWITCH-ENCLOSED

CATALOG LISTING
1202HE2-R

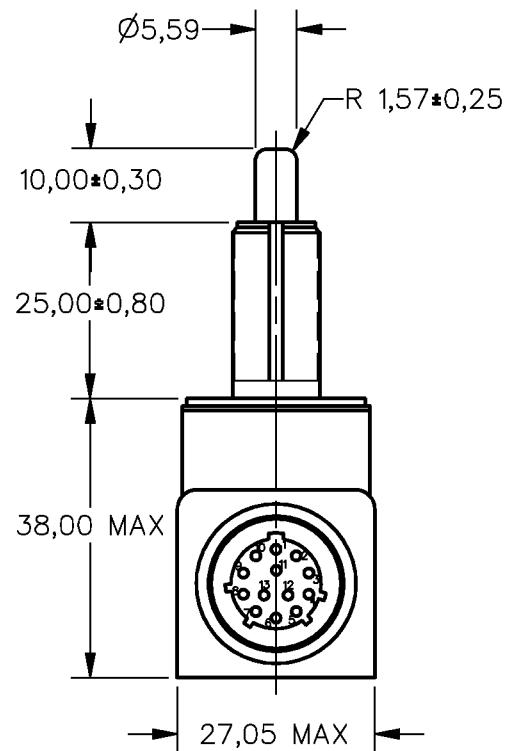
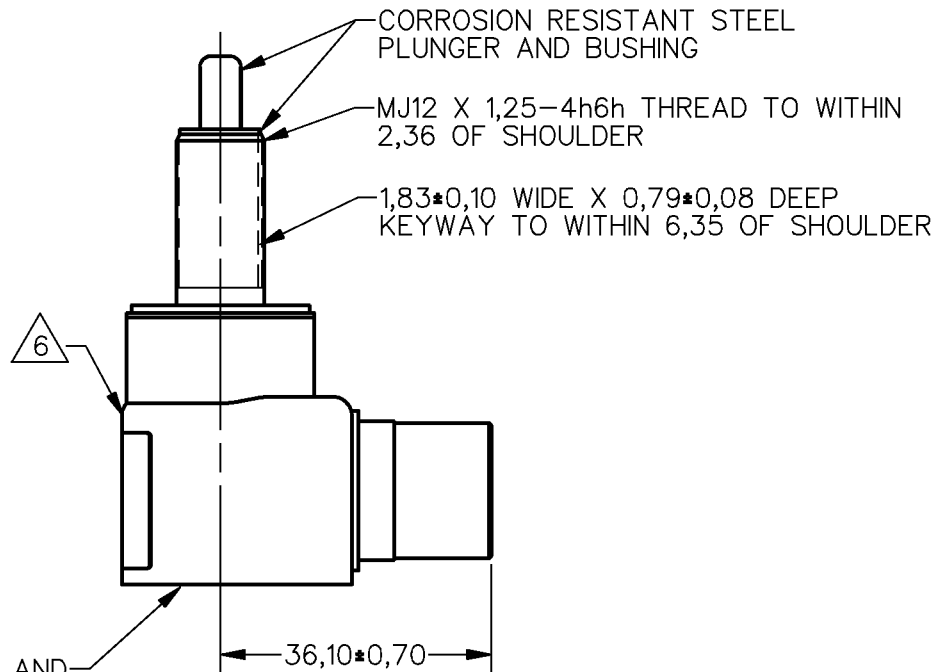
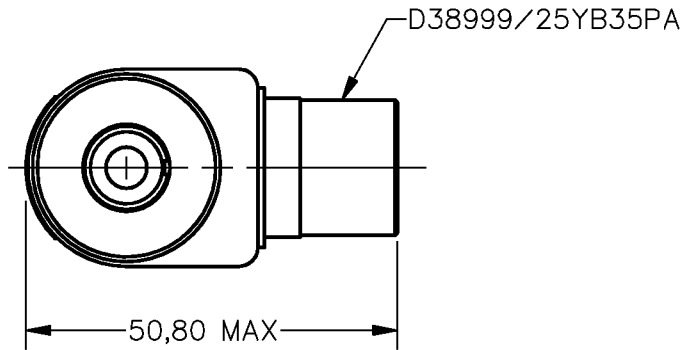
CATALOG LISTING
1202HE2-R

RELEASE NO. PR-20807

ISSUE
M
10

REVISIONS	CHECK	DATE
A	PR-20807	11 NOV 98
B	CO-78044	14 FEB 94
C	CO-78739	24 MAY 94
D	CO-93626	1 JUL 94
	MFC	11 NOV 98

DDM/CAD
DRAWN
T S M 14 FEB 94
CHECK S A V 24 FEB 94
CHECK JAF 11 NOV 98



LEADS EMBEDDED AND
SEALED WITH EPOXY
CASTING RESIN AND
SEALER

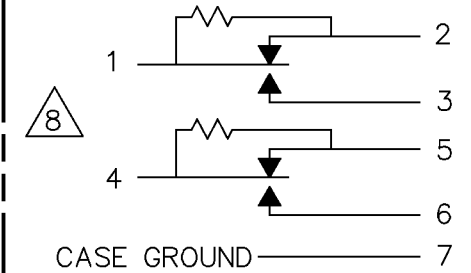
THIS DRAWING COVERS A PROPRIETARY ITEM AND IS THE PROPERTY OF MICRO SWITCH, A DIVISION OF HONEYWELL. THIS DRAWING IS NOT TO BE COPIED OR USED WITHOUT THE APPROVAL OF MICRO SWITCH

CHARACTERISTICS	
OPERATING FORCE	2.7-5.4 Kg (6 - 12 LBS)
FULL OVERTRAVEL FORCE	13.6 Kg MAX (30 LBS MAX)
RELEASE FORCE	1.36 Kg MIN (3 LBS MIN)
PRETRAVEL	0.51-0.75 (.020 - .030)
DIFFERENTIAL TRAVEL	0.50 MAX (.020 MAX)
OVERTRAVEL	3.17 MIN (.125 MIN)

ELECTRICAL DATA		
CONTACT ARRANGEMENT 2X SPDT 7		
LOAD	28 VDC	
	SEA LEVEL	50,000 FT
RES	1.0	1.0
IND	0.5	0.5

THIRD ANGLE PROJECTION			
SCALE FULL			
DO NOT SCALE PRINT			
TOLERANCES			
APPLY TO DESIGN UNITS. CONVERSIONS ARE ONLY FOR REFERENCE. UNLESS NOTED, TOLERANCES ARE ±			
DIM.	TOL.	DIM.	TOL.
mm	mm/in	in	mm/in
NO PLACES	X	1/04	XX 0.8/03
ONE PLACE	XX	0.4/016	XXX 0.38/015
TWO PLACES	XXX	0.15/006	XXXX 0.13/005
THREE PLACES	XXXX		
ANGLES			
SI METRIC		US CUSTOMARY	
DESIGN UNITS		<input checked="" type="checkbox"/> SI METRIC <input type="checkbox"/> US CUSTOMARY	
WEIGHT .10 Kg MAX			

ANSI Y14.5M-1982 APPLIES



CIRCUIT DIAGRAM

NOTES

- 1 - CORROSION RESISTANT STEEL ENCLOSURE
- 2 - SWITCH SEALED PER MIL-S-8805 SYMBOL 5
- 3 - COINCIDENCE OF OPERATING AND RELEASING POINTS: .25 mm / .010 IN OF PLUNGER TRAVEL
- 4 - CIRCUIT DIAGRAM AND CATALOG LISTING ARE SHOWN ON NAMEPLATE
- 5 - OPERATION IN TEMPERATURE RANGE OF -55°C TO +125°C
- 6 COLOR SHALL BE LUSTERLESS BLACK, COLOR NO. 37031, PER MIL-C-46168
- 7 BASIC SWITCHES HAVE GOLD BIFURCATED CONTACTS
- 8 10K OHM RESISTOR PER MIL-R-55182 ACROSS 1, 2 AND 4, 5 (DIELECTRIC WILL NOT BE CHECKED BETWEEN TERMINALS 1, 2 AND 4, 5)

Mouser Electronics

Authorized Distributor

Click to View Pricing, Inventory, Delivery & Lifecycle Information:

[Honeywell:](#)

[1202HE2-R](#)