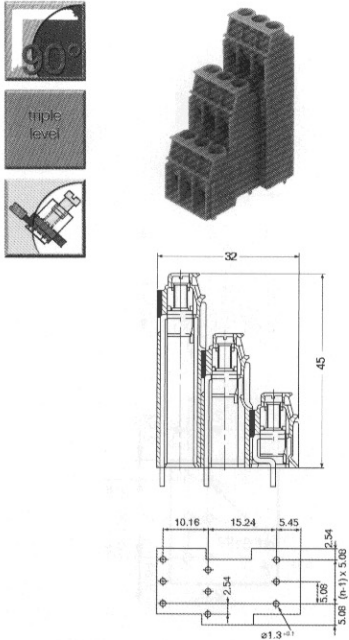


LP3R 5.08/90



| Technical data | VDE | UL | CSA |
|----------------------------------|------|---------|---------|
| Rated voltage (V) | 250* | 300 | 300 |
| Rated current (A) | 20 | 15 | 20 |
| Wire size (mm ² /AWG) | 4.0 | 26...12 | 26...12 |

*Pollution severity 3 / Overvoltage category III

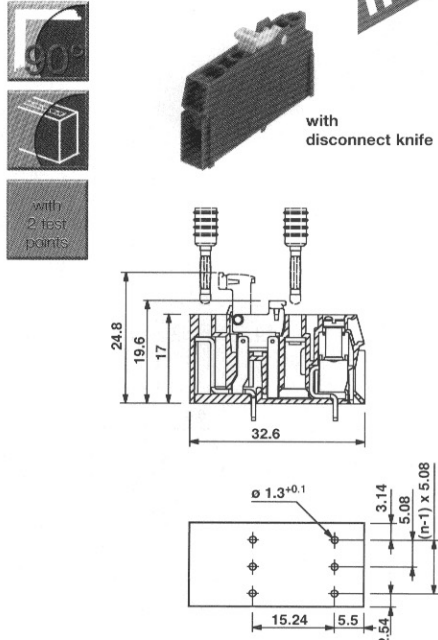
Additional technical data see page 58

Solder pin length 4.5 mm 4.5 mm

| Poles | Type | Part No. | Part No. | Qty. |
|-------|-----------------|------------|------------|------|
| 6 | LP3R 5.08/6/90 | 1653940000 | 1695940000 | 50 |
| 9 | LP3R 5.08/9/90 | 1596330000 | 1695950000 | 50 |
| 12 | LP3R 5.08/12/90 | 1596350000 | - | |
| 15 | LP3R 5.08/15/90 | 1596370000 | - | |
| 18 | LP3R 5.08/18/90 | 1596390000 | - | |
| 21 | LP3R 5.08/21/90 | 1633010000 | - | |
| 24 | LP3R 5.08/24/90 | 1596410000 | - | |
| 27 | LP3R 5.08/27/90 | 1633020000 | - | |
| 30 | LP3R 5.08/30/90 | 1596430000 | - | |
| 33 | LP3R 5.08/33/90 | 1633030000 | - | |
| 36 | LP3R 5.08/36/90 | 1633040000 | - | |
| 39 | LP3R 5.08/39/90 | 1633050000 | - | |
| 42 | LP3R 5.08/42/90 | 1633060000 | - | |
| 45 | LP3R 5.08/45/90 | 1633070000 | - | |
| 48 | LP3R 5.08/48/90 | 1633080000 | - | |
| 51 | LP3R 5.08/51/90 | 1633090000 | - | |
| 54 | LP3R 5.08/54/90 | 1633100000 | - | |
| 57 | LP3R 5.08/57/90 | 1633110000 | - | |
| 60 | LP3R 5.08/60/90 | 1633120000 | - | |
| 63 | LP3R 5.08/63/90 | 1633130000 | - | |
| 66 | LP3R 5.08/66/90 | 1633140000 | - | |
| 69 | LP3R 5.08/69/90 | 1633150000 | - | |
| 72 | LP3R 5.08/72/90 | 1633160000 | - | |

| Accessories | Page |
|---------------|--------|
| Marking | 40 |
| Mounting | 46 |
| Miscellaneous | 43, 45 |

LPTR 5.08/90



| Technical data | VDE | UL | CSA |
|----------------------------------|------|---------|---------|
| Rated voltage (V) | 250* | 300 | 300 |
| Rated current (A) | 20 | 15 | 20 |
| Wire size (mm ² /AWG) | 4.0 | 26...12 | 26...12 |

*Pollution severity 3 / Overvoltage category III

Additional technical data see page 58

Solder pin length 4.5 mm 4.5 mm

| Poles | Type | Part No. | Part No. | Qty. |
|-------|----------------|------------|------------|------|
| 1 | LPTR 5.08/1/90 | 1755230000 | 1755190000 | 100 |

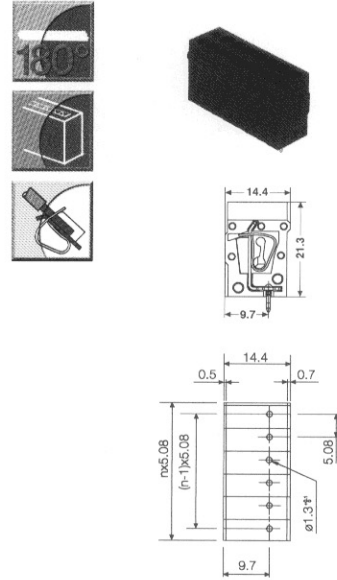
With adaptor plate LPZP 2.54/90 (Part No. 1747480000)

it is possible to create the pitch 7.62 mm.

See also page 47 "Application Examples for LP Series"

| Accessories | Page |
|---------------|-------|
| Marking | 40 |
| Mounting | 46 |
| Miscellaneous | 45-46 |

LPZF 5.08/180



| Technical data | VDE | UL | CSA |
|----------------------------------|------|---------|-----|
| Rated voltage (V) | 250* | 300 | 300 |
| Rated current (A) | 17.5 | 10 | 18 |
| Wire size (mm ² /AWG) | 2.5 | 26...14 | 14 |

*Pollution severity 3 / Overvoltage category III

Additional technical data see page 55

Solder pin length 3.2 mm 4.5 mm

| Poles | Type | Part No. | Part No. | Qty. |
|-------|------------------|------------|------------|------|
| 2 | LPZF 5.08/2/180 | 1698450000 | 1698560000 | 100 |
| 3 | LPZF 5.08/3/180 | 1698460000 | 1698570000 | 100 |
| 4 | LPZF 5.08/4/180 | 1698470000 | 1698580000 | 100 |
| 5 | LPZF 5.08/5/180 | 1698480000 | 1698590000 | 50 |
| 6 | LPZF 5.08/6/180 | 1698490000 | 1698600000 | 50 |
| 7 | LPZF 5.08/7/180 | 1698500000 | 1698610000 | 50 |
| 8 | LPZF 5.08/8/180 | 1698510000 | 1698620000 | 50 |
| 9 | LPZF 5.08/9/180 | 1698520000 | 1698630000 | 25 |
| 10 | LPZF 5.08/10/180 | 1698530000 | 1698640000 | 25 |
| 11 | LPZF 5.08/11/180 | 1698540000 | 1698650000 | 25 |
| 12 | LPZF 5.08/12/180 | 1698550000 | 1698660000 | 25 |

Design compatible with LMT 5.08/180 on page 21

| Accessories | Page |
|---------------|------|
| Marking | 42 |
| Mounting | - |
| Miscellaneous | 45 |