

# TL Series Door Interlock Switches

## Features/Benefits

- Push/pull motion
- Multiple mounting configurations
- Wide variety of termination options
- Ratings up to 15 AMPS

## Typical Applications

- Computer enclosures
- Panel builders
- Industrial enclosures



## Specifications

CONTACT RATING: 15 AMPS @ 125 & 250 V AC; 0.25 AMP @ 250 V DC; 0.5 AMP @ 125 V DC; 1/2 HP @ 125 & 250 V AC; 3 AMPS @ 125 V AC "L".

ELECTRICAL LIFE: 150,000 cycles at 15 AMPS @ 250 V AC.

INSULATION RESISTANCE: 1,000 M ohm min.

DIELECTRIC STRENGTH: 1,000 Vrms min. @ sea level.

OPERATING TEMPERATURE: -67°F to 302°F (-55°C to 150°C).

**NOTE:** Specifications and materials listed above are for switches with standard options. For information on specific and custom switches, consult Customer Service Center.

## Materials

SWITCH HOUSING: Thermoplastic or general purpose phenolic (UL 94V-0).

MOUNTING BRACKET: Stainless steel.

PLUNGER: Stainless steel.

ACTUATOR BUTTON: Thermoplastic (UL 94V-0).

SPRING: Copper alloy.

PIVOT: Brass alloy.

MOVABLE CONTACT: Fine silver.

STATIONARY CONTACTS: Fine silver.

TERMINALS: Copper alloy.

## Build-A-Switch

To order, simply select desired option from each category and place in the appropriate box. Available options are shown and described on pages J-61 and J-62. For additional options not shown in catalog, consult Customer Service Center.



### Model

- 11TL** One TM Series SPDT switch
- 12TL** One TM Series SPDT switch
- 23TL** Two TM Series SPDT switches

### Terminations

- 60** Screw
- 40** .187" Quick connect
- 4A** .250" Quick connect

### Plunger

- 2** Stainless steel, not tapped
- 4** Stainless steel, tapped

Snap-acting

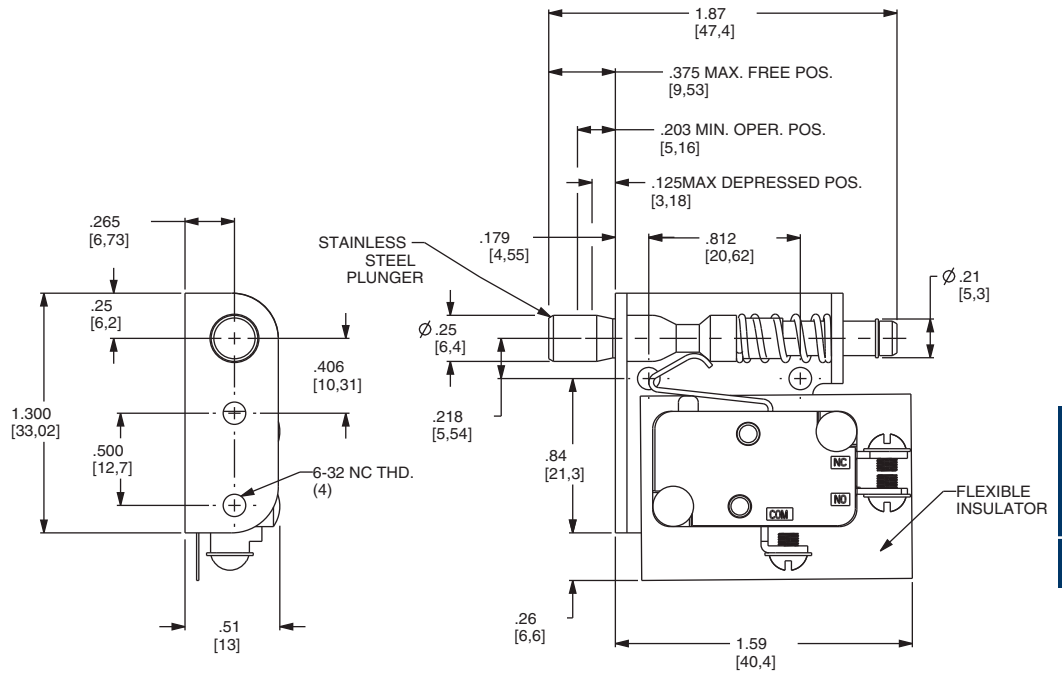
# TL Series Door Interlock Switches

MODEL

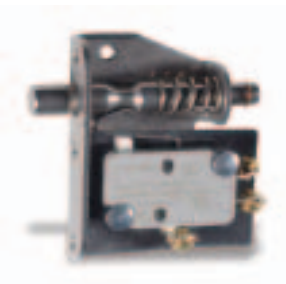
**11TL** WITH SMALL BRACKET



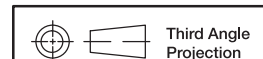
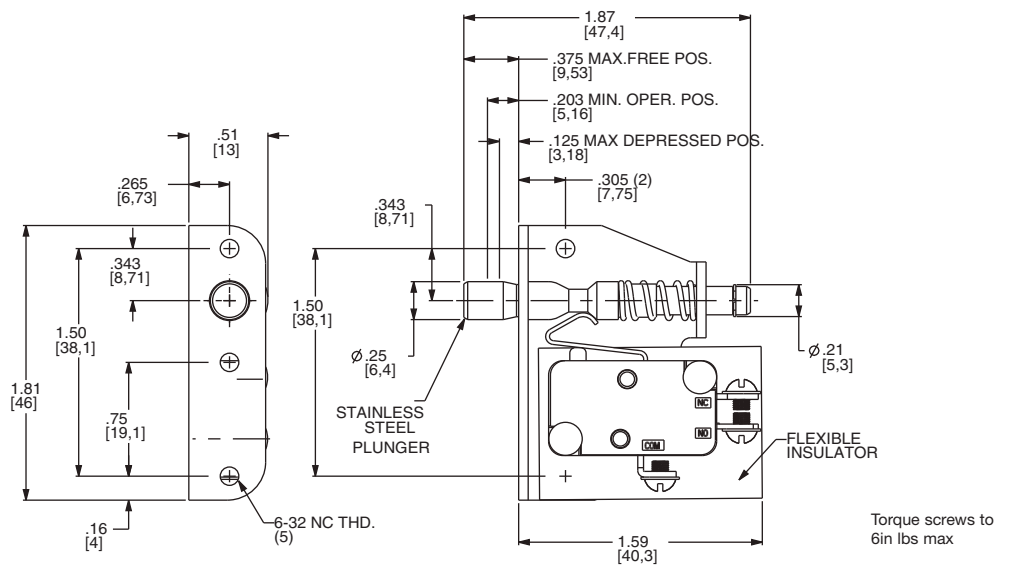
11TL602  
SPDT



**12TL** WITH LARGE BRACKET



12TL602  
SPDT



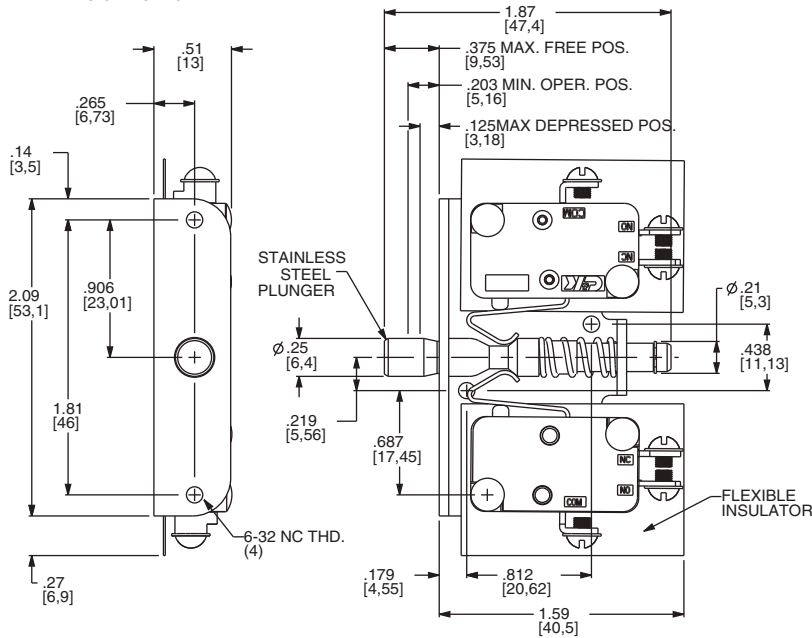
Dimensions are shown: Inches (mm)  
Specifications and dimensions subject to change



# TL Series Door Interlock Switches

MODEL

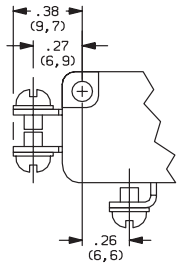
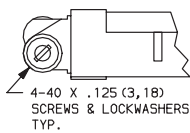
**23TL** WITH TWO SWITCHES



23TL602  
SPDT

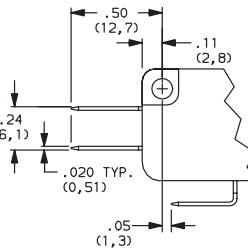
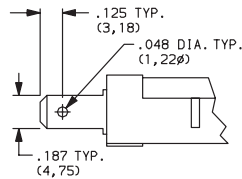
## TERMINATIONS

**60** SCREW TERMINALS

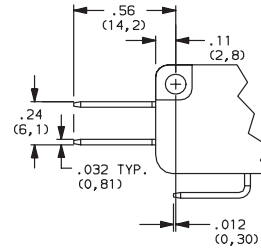
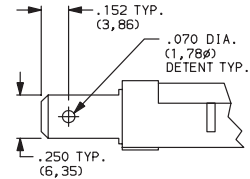


Torque screws to 6in lbs max

**40** .187" QUICK CONNECT



**4A** .250" QUICK CONNECT



## PLUNGERS

**2** STAINLESS STEEL, NOT TAPPED

**4** STAINLESS STEEL, TAPPED 4-40 x .375 (9,52) min. depth



Dimensions are shown: Inch (mm)  
Specifications and dimensions subject to change

