

PCB terminal block - PTQ 0,3/ 2-2,5-L THR R32 - 1703375

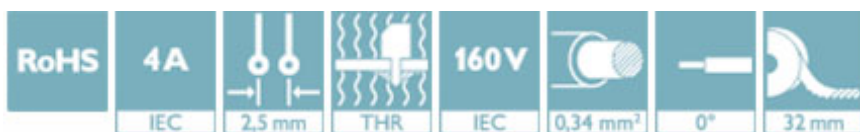
Please be informed that the data shown in this PDF Document is generated from our Online Catalog. Please find the complete data in the user's documentation. Our General Terms of Use for Downloads are valid (<http://phoenixcontact.com/download>)



PCB terminal block, nominal current: 4 A, nom. voltage: 160 V, pitch: 2.5 mm, number of positions: 2, connection method: Displacement connection, mounting: THR soldering, conductor/PCB connection direction: 0°, color: black

Why buy this product

- ✓ Connection without conductor pretreatment for huge time savings
- ✓ Finger-operated QUICKON insulation displacement connection enables repeated conductor connection
- ✓ Designed for integration into the SMT soldering process
- ✓ Supplied in tape-on-reel packing according to IEC 60286-3 for automated mounting
- ✓ Anti-rotation pin supports positioning on the PCB



Key Commercial Data

Packing unit	250 STK
Minimum order quantity	250 STK
GTIN	
GTIN	4046356649087

Technical data

Dimensions

Length [l]	17.55 mm
Pitch	2.5 mm
Dimension a	2.50 mm
Width [w]	7.00 mm
Constructional height	8 mm
Height [h]	8 mm
Solder pin [P]	2 mm
Pin dimensions	0,9 x 0,4
Pin spacing	2.50 mm
Hole diameter	1.1 mm

PCB terminal block - PTQ 0,3/ 2-2,5-L THR R32 - 1703375

Technical data

General

Range of articles	PTQ 0,3/...-THR
Insulating material group	IIIa
Rated surge voltage (III/3)	2.5 kV
Rated surge voltage (III/2)	2.5 kV
Rated surge voltage (II/2)	2.5 kV
Rated voltage (III/3)	160 V
Rated voltage (III/2)	160 V
Rated voltage (II/2)	200 V
Nominal current I _N	4 A
Nominal cross section	0.34 mm ²
Maximum load current	4 A
Insulating material	LCP
Solder pin surface	Sn
Flammability rating according to UL 94	V0
Number of positions	2

Connection data

Conductor cross section solid min.	0.14 mm ²
Conductor cross section solid max.	0.34 mm ²
Conductor cross section flexible min.	0.14 mm ²
Conductor cross section flexible max.	0.34 mm ²
Conductor cross section AWG min.	26
Conductor cross section AWG max.	22

Standards and Regulations

Connection in acc. with standard	CUL
Flammability rating according to UL 94	V0

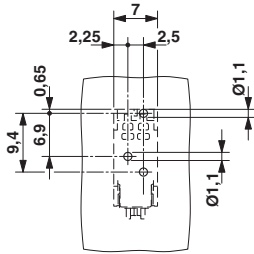
Environmental Product Compliance

China RoHS	Environmentally friendly use period: unlimited = EFUP-e
	No hazardous substances above threshold values

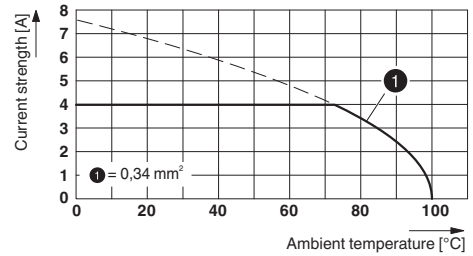
Drawings

PCB terminal block - PTQ 0,3/ 2-2,5-L THR R32 - 1703375

Drilling diagram

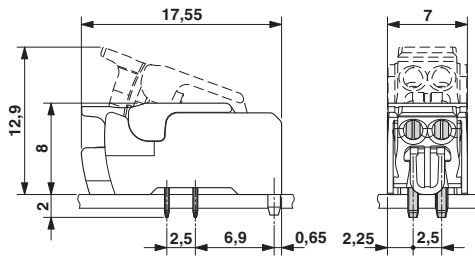


Diagram

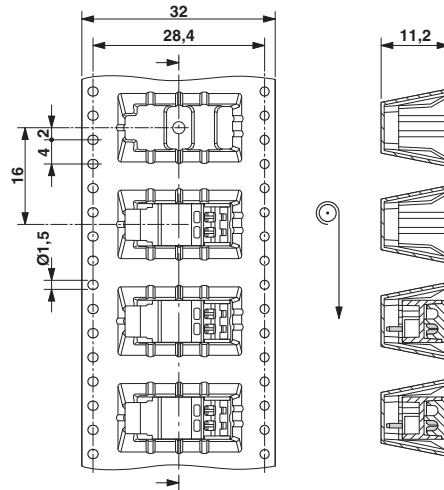


Type: PTQ 0,3/...-2,5(-L) THR R32

Dimensional drawing



Dimensional drawing



Approvals

Approvals

Approvals

VDE Gutachten mit Fertigungsüberwachung / CCA / EAC / UL Recognized

Ex Approvals

Approval details

VDE Gutachten mit Fertigungsüberwachung		http://www.vde.com/en/Institute/OnlineService/VDE-approved-products/Pages/Online-Search.aspx	40034315
mm²/AWG/kcmil		0.2	


PCB terminal block - PTQ 0,3/ 2-2,5-L THR R32 - 1703375

Approvals

Nominal current IN	4 A
Nominal voltage UN	130 V

CCA	CCA/ DE1 34151
mm ² /AWG/kcmil	0.2
Nominal current IN	4 A
Nominal voltage UN	130 V

EAC		B.01742
-----	---	---------

UL Recognized		http://database.ul.com/cgi-bin/XYV/template/LISEXT/1FRAME/index.htm	FILE E 60425
		B	
mm ² /AWG/kcmil		24	
Nominal current IN		2 A	
Nominal voltage UN		150 V	

Phoenix Contact 2017 © - all rights reserved
<http://www.phoenixcontact.com>

PHOENIX CONTACT GmbH & Co. KG
Flachsmarktstr. 8
32825 Blomberg
Germany
Tel. +49 5235 300
Fax +49 5235 3 41200
<http://www.phoenixcontact.com>