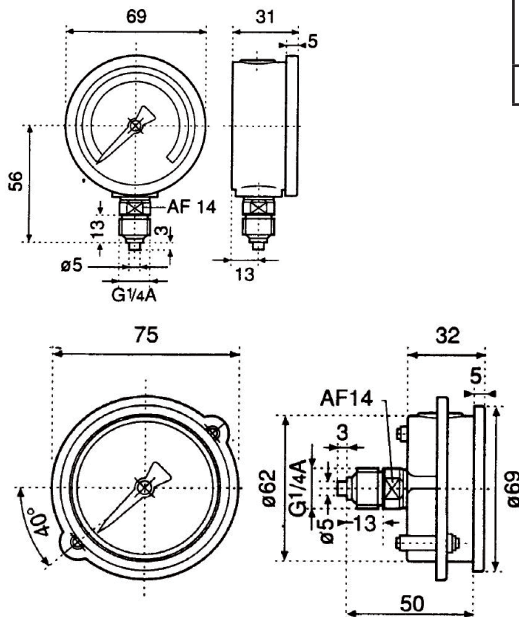


Pressure Gauge



Specifications:

Nominal Size	63mm
Accuracy Class	1.6 according to Din 16005
Over Range Protection	1.3 times full scale (temporary)
Case & Bezel	Stainless Steel 1.4301 (304)
Window	Plexiglass
Dial	Aluminium, White, Scale & markings black according to Din 16109
Pointer	Aluminium, black according to Din 16099
Movement	Cu Zu (Brass)
Wetted parts	
Measuring element	Bourdon tube, Copper Alloy
≤40 Bar	Helical tube, 1.4571 (s.s.316)
≥60 Bar up to 400 bar	Cu Zn (Brass)
≥400 Bar	
Pressure connection	
Connection Thread	G1/4 A (1/4" BSP) Din 16288
Liquid Filling	Glycerine : <2.5 Bar 86.5% ≥2.5 Bar 99.5%
Temperature Range	
- Media	+80°C Max.
- Ambient	-25°C to +60°C
Weight approx.	0.21 Kg



Dimensions: Millimetres

Part Number Table

Description	Part Number
Pressure Gauge, -1 to 0 Bar	1454016002
Pressure Gauge, 2.5 Bar	1454072002
Pressure Gauge, 10 Bar	1454075002
Pressure Gauge, 25 Bar	1454078002
Pressure Gauge, 100 Bar	1454081002
Pressure Gauge, 160 Bar	1454082002
Pressure Gauge, 250 Bar	1454084002
Pressure Gauge, 400 Bar	1454086002

Important Notice : This data sheet and its contents (the "Information") belong to the members of the Premier Farnell group of companies (the "Group") or are licensed to it. No licence is granted for the use of it other than for information purposes in connection with the products to which it relates. No licence of any intellectual property rights is granted. The Information is subject to change without notice and replaces all data sheets previously supplied. The Information supplied is believed to be accurate but the Group assumes no responsibility for its accuracy or completeness, any error in or omission from it or for any use made of it. Users of this data sheet should check for themselves the Information and the suitability of the products for their purpose and not make any assumptions based on information included or omitted. Liability for loss or damage resulting from any reliance on the Information or use of it (including liability resulting from negligence or where the Group was aware of the possibility of such loss or damage arising) is excluded. This will not operate to limit or restrict the Group's liability for death or personal injury resulting from its negligence. Multicomp is the registered trademark of the Group. © Premier Farnell plc 2012.

www.element14.com
www.farnell.com
www.newark.com

