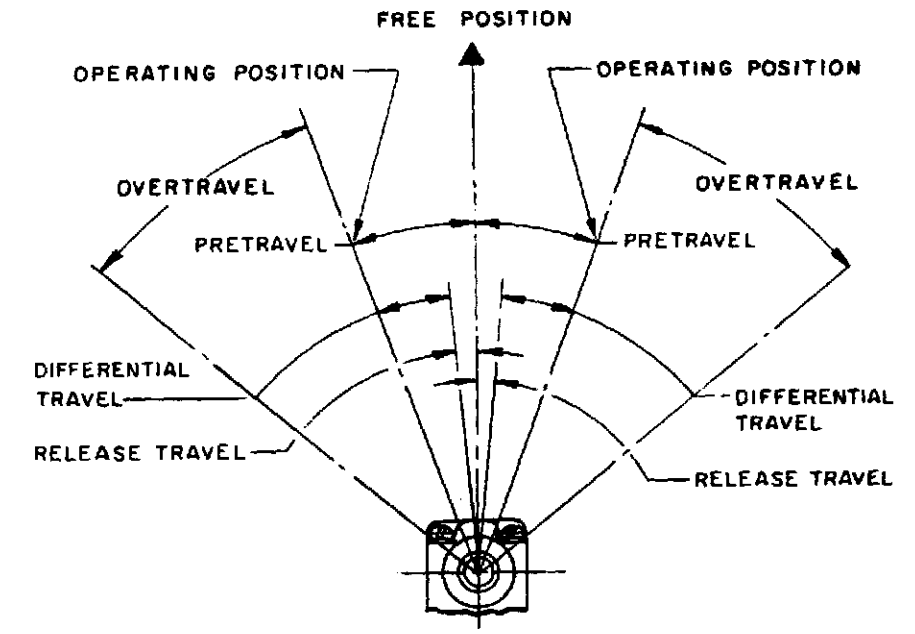
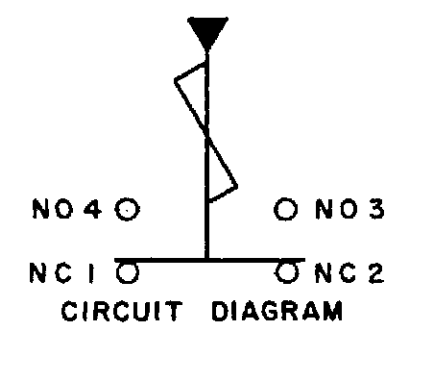


MICRO SWITCH
a Honeywell Division
FED. MFG. CODE 91929

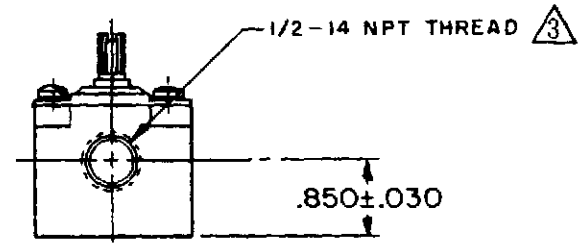
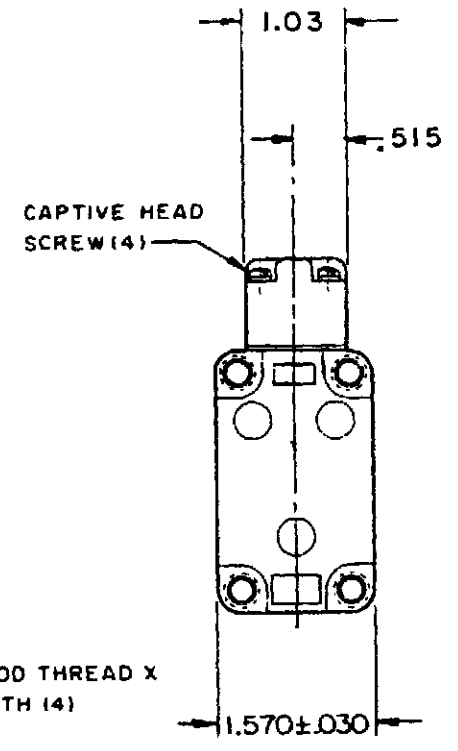
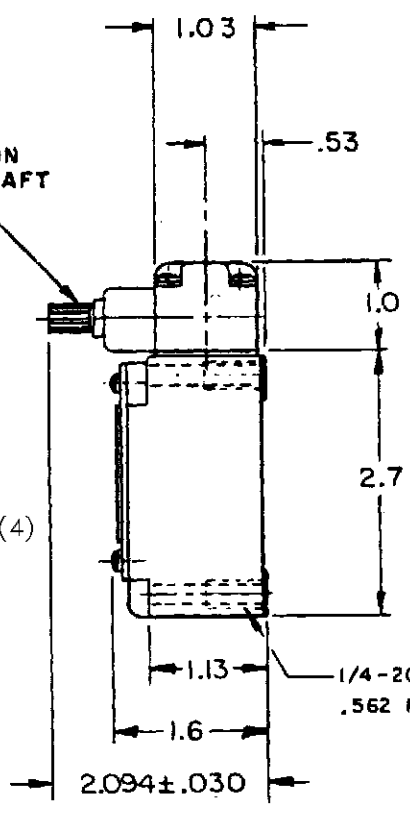
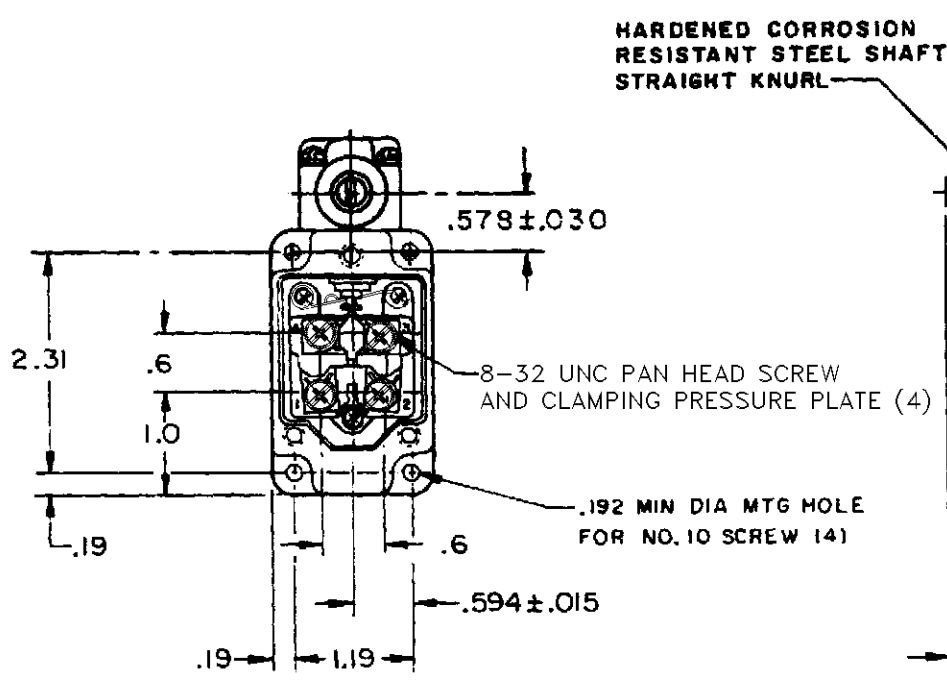
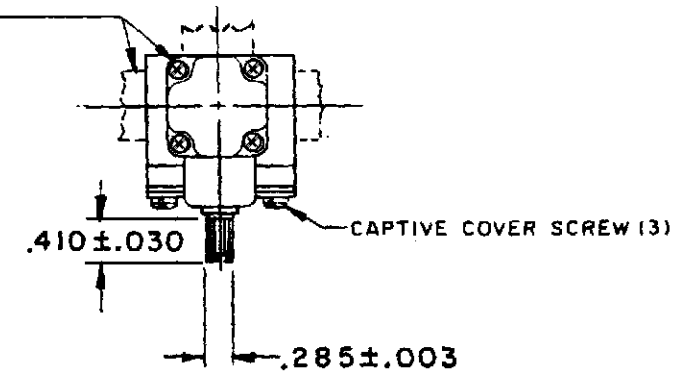
SWITCH-ENCLOSED

CATALOG LISTING
1LS9-L



CATALOG LISTING
 1LS9-L
 PAGE 1 OF 1
 ISSUE 2
 REVISIONS
 A CO-76997 GJW 30 MAR 95
 CHECK
 15 APR 90
 CHECK
 16 APR 90
 DRAWN
 FORMTEK

OPERATING HEAD MOUNTS
IN ANY OF FOUR
POSITIONS



THIS DRAWING COVERS A PROPRIETARY ITEM AND IS THE PROPERTY OF MICRO SWITCH, A DIVISION OF HONEYWELL. THIS DRAWING IS NOT TO BE COPIED OR USED WITHOUT THE APPROVAL OF MICRO SWITCH

CHARACTERISTICS
OPERATING TORQUE --- 4 1/2 IN LB MAX
FULL OVERTRAVEL TORQUE -- 6 IN LB MAX
RELEASE TORQUE - - - - - 3/4 IN LB MIN
PRETRAVEL - - - - - 5° MAX
OVERTRAVEL - - - - - 30° MIN
RELEASE TRAVEL - - - - - 0°30' MIN
SWITCH-BASIC REPLACEMENT - - - 2MN8-L

ELECTRICAL DATA
CONTACT ARRANGEMENT (SEE CIRCUIT DIAGRAM)
L127
10A 125, 250 OR 480 VAC
1/4HP 125 VAC, 1/2HP 250 VAC

THIRD ANGLE PROJECTION	
SCALE	1/2 : 1
DO NOT SCALE PRINT	
UNLESS OTHERWISE SPECIFIED TOLERANCES ARE	
ONE PLACE	(.0) ±.030
TWO PLACE	(.00) ±.015
THREE PLACE	(.000) ±.005
ANGLES	±
WEIGHT	

NOTES

- SWITCH IS ASSEMBLED FOR ACTUATION IN EITHER DIRECTION BUT MAY BE ADJUSTED TO ACTUATE THE SWITCH IN THE CLOCKWISE DIRECTION ONLY, THE COUNTERCLOCKWISE DIRECTION ONLY, OR IN BOTH DIRECTIONS
 - TO CONVERT SWITCH FOR ACTUATION IN EITHER THE CLOCKWISE OR COUNTERCLOCKWISE DIRECTION ONLY, REMOVE ACTUATOR HEAD AND ROTATE THE NOTCHED PLUNGER 90° TO THE RIGHT FOR CLOCKWISE ACTUATION OR 90° TO THE LEFT FOR COUNTERCLOCKWISE ACTUATION
- 3 SEAL TO BE FURNISHED BY USER

