

Power Distribution Blocks

600 Volts AC/DC

Specifications:

- Connector, High Conductive Aluminum, Tin Plated, Rated for Copper and Aluminum Wire
- CU Connector, High Conductive Copper, Tin Plated, Rated for Copper Wire Only
- Multiple wire rating - refer to datasheets for details
- UL Recognized File No. XCFR2.E62806
- CSA Certified File No. LR19766
- **CE** - Up to 1000 Volts AC/DC
- Flexible Stranded Wire Compliant
- RoHS Compliant



1423570



1414400

Replace "X" with # of poles (0 = Adder)

Catalog #	Hinge Cover	Poles (X)	Amps	MATERIAL		LINE SIDE			LOAD SIDE		
				Insulator	Conn.	Wire Range AWG/kcmil	Openings Per Pole	Connector Configuration	Wire Range AWG/kcmil	Openings Per Pole	Connector Configuration
141X403		1/2/3/4	60	Plastic	AL	#2 - #14 AWG	1		#10 - #16 AWG	2	
141X400		1/2/3/4	115	Plastic	AL	#2 - #14 AWG	1		#10 - #18 AWG	4	
132X570	CH	0/1/2/3	175	Plastic	AL	2/0 - #14 AWG	1		#4 - #14 AWG	4	
142X570		1/2/3	175	Phenolic	AL	2/0 - #14 AWG	1		#4 - #14 AWG	4	
132X580	CH	0/1/2/3	175	Plastic	AL	2/0 - #14 AWG	1		#4 - #14 AWG	6	
140X402		2/3	175	Phenolic	AL	2/0 - #14 AWG	1		#4 - #14 AWG	4	
140X401		2/3	175	Phenolic	AL	2/0 - #14 AWG	1		#4 - #14 AWG	6	
132X970	CH	0/1/2/3	175	Plastic	CU	2/0 - #14 AWG	1		#4 - #14 AWG	4	
142X970		1/2/3	175	Phenolic	CU	2/0 - #14 AWG	1		#4 - #14 AWG	4	
140X404		2/3	310	Phenolic	AL	350 kcmil - #6 AWG	1		#4 - #14 AWG	6	
133X554	CH	1/2/3	310	Plastic	AL	350 kcmil - #6 AWG	1		2/0 - #14 AWG	2	
140X410		2/3	310	Phenolic	AL	350 kcmil - #6 AWG	1		2/0 - #14 AWG	2	

CH = Block is also available with hinge cover attached - include "CH" at end of part number when ordering (not available on Adder blocks) - See page 58 for available covers

See pages 55-57 for dimensional information

Power Distribution Blocks

600 Volts AC/DC

Specifications:

- Connector, High Conductive Aluminum, Tin Plated, Rated for Copper and Aluminum Wire
- CU Connector, High Conductive Copper, Tin Plated, Rated for Copper Wire Only
- Multiple wire rating - refer to datasheets for details
- UL Recognized File No. XCFR2.E62806
- CSA Certified File No. LR19766
- CE - Up to 1000 Volts AC/DC
- Flexible Stranded Wire Compliant
- RoHS Compliant



1443560



1433553

Replace "X" with # of poles

Catalog #	Hinge Cover	Poles (X)	Amps	MATERIAL		LINE SIDE			LOAD SIDE		
				Insulator	Conn.	Wire Range AWG/kcmil	Openings Per Pole	Connector Configuration	Wire Range AWG/kcmil	Openings Per Pole	Connector Configuration
143X554		1/2/3	310	Phenolic	AL	350 kcmil - #6 AWG	1		2/0 - #14 AWG	2	
144X401		1/2/3	335	Phenolic	AL	400 kcmil - #6 AWG	1		#2 - #14 AWG	6	
143X552		1/2/3	335	Phenolic	AL	400 kcmil - #6 AWG	1		#2 - #14 AWG	4	
143X553		1/2/3	335	Phenolic	AL	400 kcmil - #6 AWG	1		#2 - #14 AWG	6	
144X560		1/2/3	335	Phenolic	AL	400 kcmil - #6 AWG	1		#2 - #14 AWG	8	
133X552	CH	1/2/3	335	Plastic	AL	400 kcmil - #6 AWG	1		#2 - #14 AWG	4	
143X555		1/2/3	350	Phenolic	AL	2/0 - #14 AWG	2		#4 - #14 AWG	6	
133X555	CH	1/2/3	350	Plastic	AL	2/0 - #14 AWG	2		#4 - #14 AWG	6	
143X955		1/2/3	350	Phenolic	CU	2/0 - #14 AWG	2		#4 - #14 AWG	6	
133X955	CH	1/2/3	350	Plastic	CU	2/0 - #14 AWG	2		#4 - #14 AWG	6	
143X953		1/2/3	380	Phenolic	CU	500 kcmil - #4 AWG	1		#2 - #14 AWG	6	

CH = Block is also available with hinge cover attached - include "CH" at end of part number when ordering (not available on Adder blocks) - See page 58 for available covers

See pages 55-57 for dimensional information

Power Distribution Blocks (cont.)

600 Volts AC/DC

Specifications:

- Connector, High Conductive Aluminum, Tin Plated, Rated for Copper and Aluminum Wire
- CU Connector, High Conductive Copper, Tin Plated, Rated for Copper Wire Only
- Multiple wire rating - refer to datasheets for details
- UL Recognized File No. XCFR2.E62806
- CSA Certified File No. LR19766
- CE - Up to 1000 Volts AC/DC
- Flexible Stranded Wire Compliant
- RoHS Compliant



1333588 CH



1333595 CH

Replace "X" with # of poles

Catalog #	Hinge Cover	Poles (X)	Amps	MATERIAL		LINE SIDE			LOAD SIDE		
				Insulator	Conn.	Wire Range AWG/kcmil	Openings Per Pole	Connector Configuration	Wire Range AWG/kcmil	Openings Per Pole	Connector Configuration
133X953	CH	1/2/3	380	Plastic	CU	500 kcmil - #4 AWG	1		#2 - #14 AWG	6	
144X551		1/2/3	380	Phenolic	AL	500 kcmil - #4 AWG	1		#2 - #14 AWG	6	
145X579		1/2/3	380	Phenolic	AL	500 kcmil - #4 AWG	1		2/0 - #14 AWG	6	
133X587	CH	1/2/3	380	Plastic	AL	500 kcmil - #4 AWG	1		#2 - #14 AWG 350 kcmil - #6 AWG	3 1	
143X587		1/2/3	380	Phenolic	AL	500 kcmil - #4 AWG	1		#2 - #14 AWG 350 kcmil - #6 AWG	3 1	
145X594		1/2/3	380	Phenolic	AL	500 kcmil - #4 AWG	1		#2 - #14 AWG	8	
145X552		1/2/3	380	Phenolic	AL	500 kcmil - #4 AWG	1		#2 - #14 AWG	12	
133X588	CH	1/2/3	420	Plastic	AL	600 kcmil - #2 AWG	1		#2 - #14 AWG 1/0 - #14 AWG	6 3	
133X595	CH	1/2/3	420	Plastic	AL	600 kcmil - #2 AWG	1		4 - #14 AWG	12	
133X585	CH	1/2/3	420	Plastic	AL	600 kcmil - #2 AWG	1		2 - #14 AWG	8	
133X575	CH	1/2/3	420	Plastic	AL	600 kcmil - #2 AWG	1		2/0 - #14 AWG	4	
133X565	CH	1/2/3	420	Plastic	AL	600 kcmil - #2 AWG	1		250 kcmil - #6 AWG	2	

CH = Block is also available with hinge cover attached - include "CH" at end of part number when ordering - See page 58 for available covers

See pages 55-57 for dimensional information

Power Distribution Blocks (cont.)

600 Volts AC/DC

Specifications:

- Connector, High Conductive Aluminum, Tin Plated, Rated for Copper and Aluminum Wire
- CU Connector, High Conductive Copper, Tin Plated, Rated for Copper Wire Only
- Multiple wire rating - refer to datasheets for details
- UL Recognized File No. XCFR2.E62806
- CSA Certified File No. LR19766
- CE - Up to 1000 Volts AC/DC
- Flexible Stranded Wire Compliant
- RoHS Compliant



1333596 CH



1333598 CH

Replace "X" with # of poles

Catalog #	Hinge Cover	Poles (X)	Amps	MATERIAL		LINE SIDE			LOAD SIDE		
				Insulator	Conn.	Wire Range AWG/kcmil	Openings Per Pole	Connector Configuration	Wire Range AWG/kcmil	Openings Per Pole	Connector Configuration
133X596	CH	1/2/3	510	Plastic	AL	250 kcmil - 1/0 AWG	2		#4 - #14 AWG	12	
133X597	CH	1/2/3	510	Plastic	AL	250 kcmil - 1/0 AWG	2		#2 - #14 AWG	8	
133X598	CH	1/2/3	510	Plastic	AL	250 kcmil - 1/0 AWG	2		2/0 - #14 AWG	4	
145X587		1/2/3	690	Phenolic	AL	500 kcmil - #4 AWG 350 kcmil - #4 AWG	1 1		2/0 - #14 AWG	4	
145X592		1/2/3	760	Phenolic	AL	500 kcmil - #4 AWG	2		#4 - #14 AWG	12	
145X586		1/2/3	760	Phenolic	AL	500 kcmil - #6 AWG	2		2/0 - #14 AWG	8	
145X992		1/2/3	760	Phenolic	CU	500 kcmil - #4 AWG	2		#2 - #14 AWG	12	
145X986		1/2/3	760	Phenolic	CU	500 kcmil - #4 AWG	2		2/0 - #14 AWG	8	
145X408		1/2/3	760	Phenolic	AL	500 kcmil - #6 AWG	2		#2 - #14 AWG	12	
145X411		1/2/3	840	Phenolic	AL	600 kcmil - #2 AWG	2		3/0 - #6 AWG #4 - #14 AWG	4 4	
1453401*		1	2280	Phenolic	AL	500 kcmil - #4 AWG	6		2/0 - #14 AWG	18	

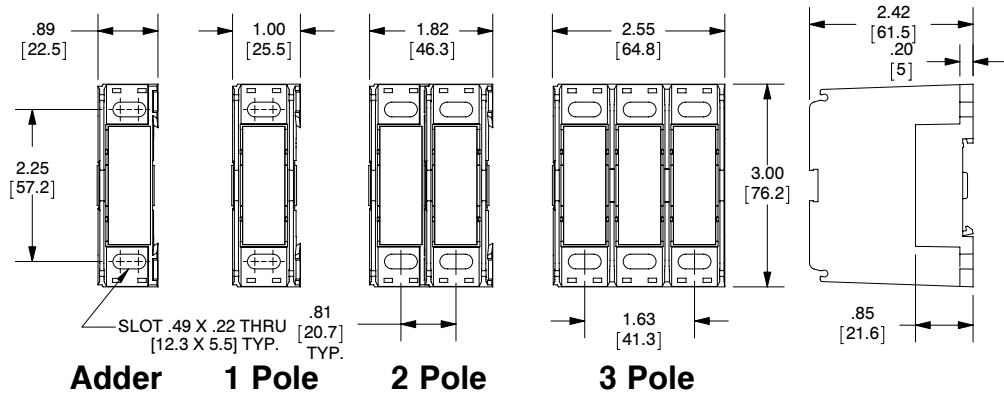
CH = Block is also available with hinge cover attached - include "CH" at end of part number when ordering - See page 58 for available covers

See pages 55-57 for dimensional information

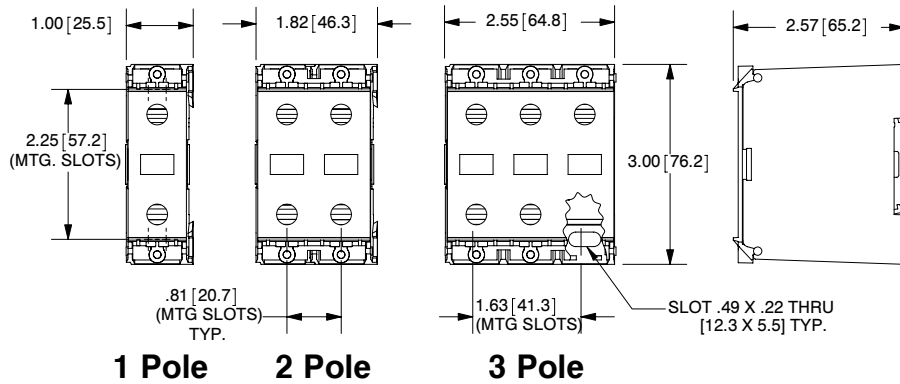
*Special one-pole block. Apply Power Block Dimensions for 145 Series block on page 57 (3 pole).

Power Terminal Block Dimensions

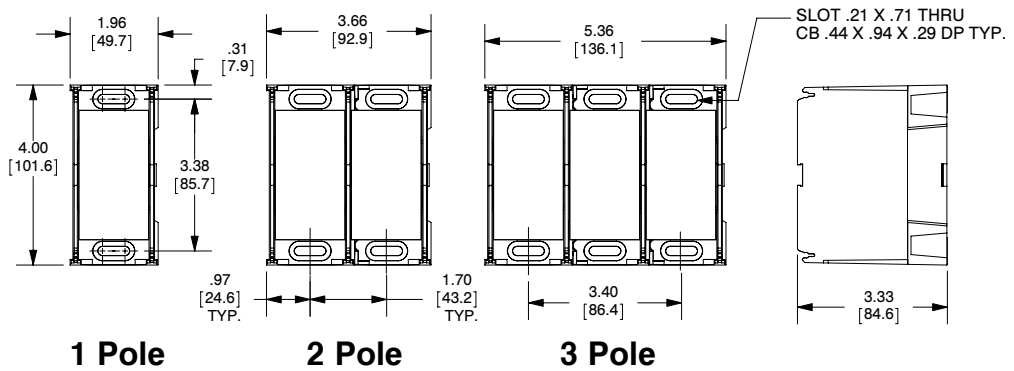
132 SERIES



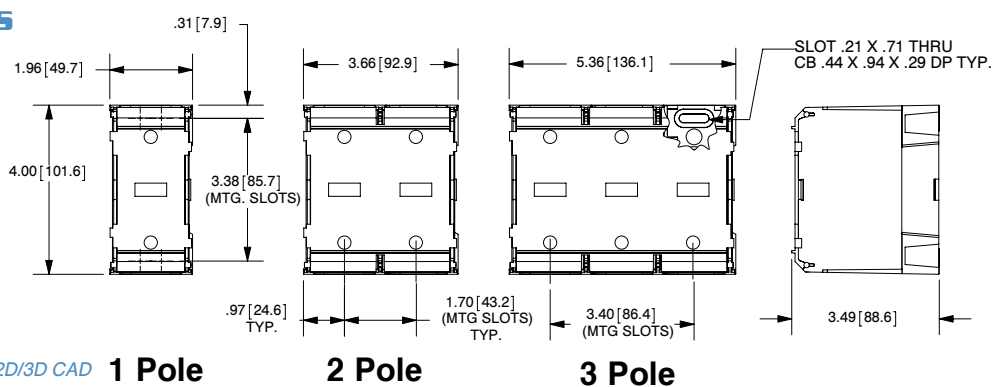
132 CH SERIES



133 SERIES



133 CH SERIES

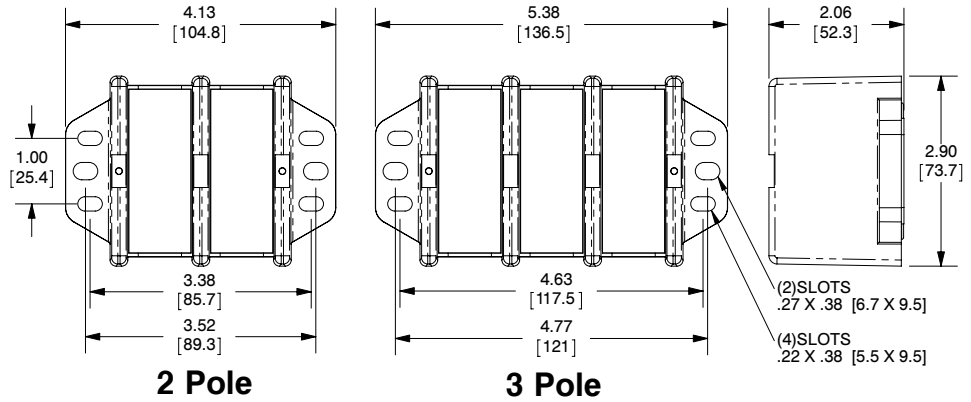


For electronic drawings or 2D/3D CAD data, submit request at www.marathonsp.com/drawings.html

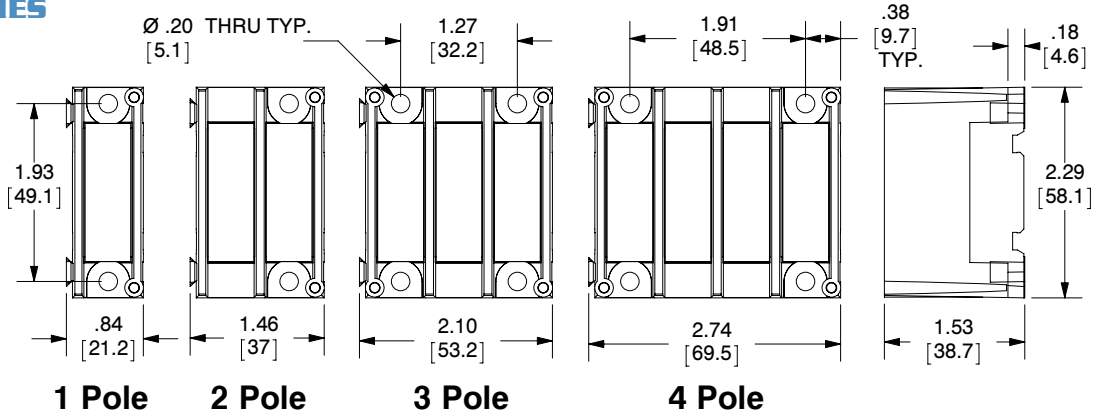
Datasheets available at marathonsp.com

Power Terminal Block Dimensions

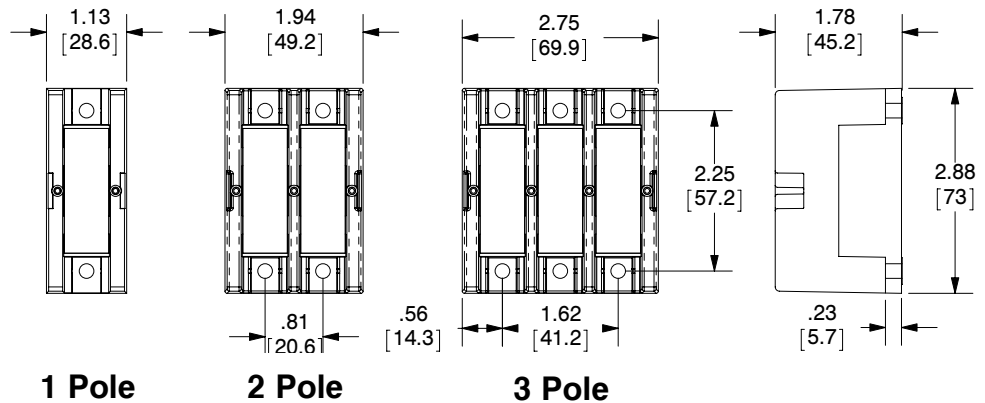
140 SERIES



141 SERIES



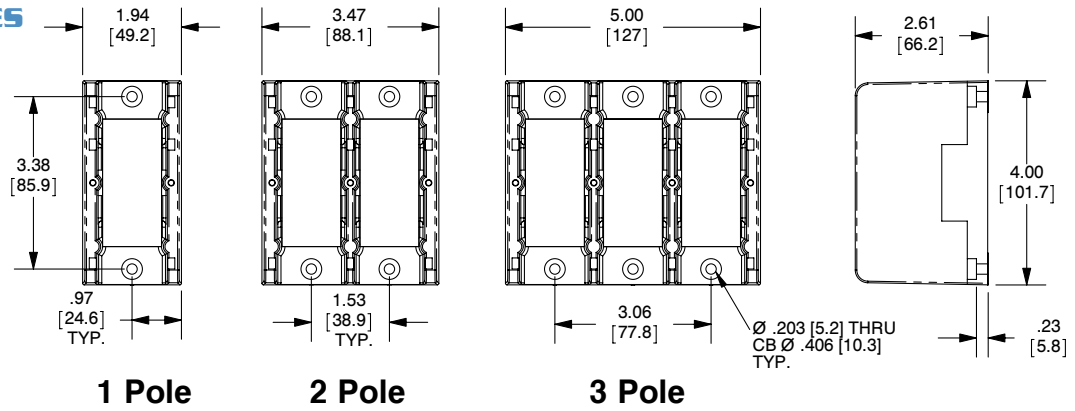
142 SERIES



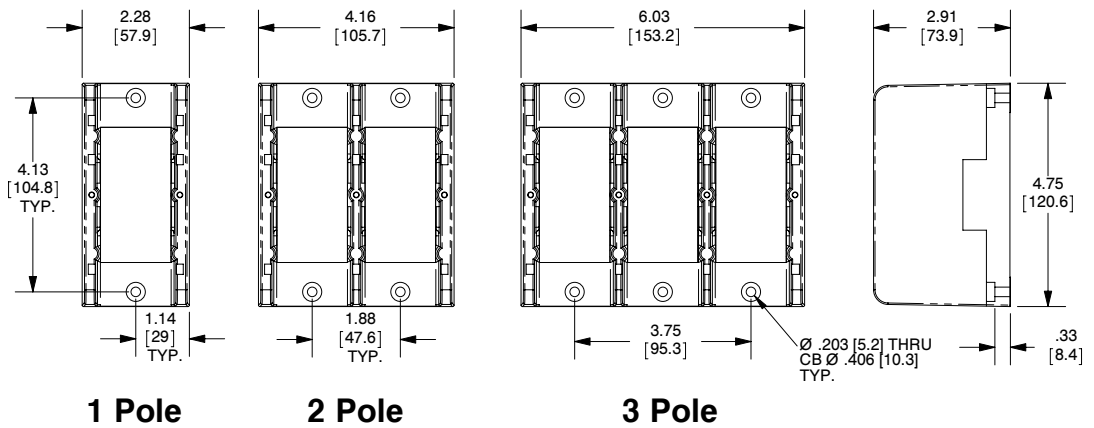
For electronic drawings or 2D/3D CAD data, submit request at www.marathonsp.com/drawings.html

Power Terminal Block Dimensions

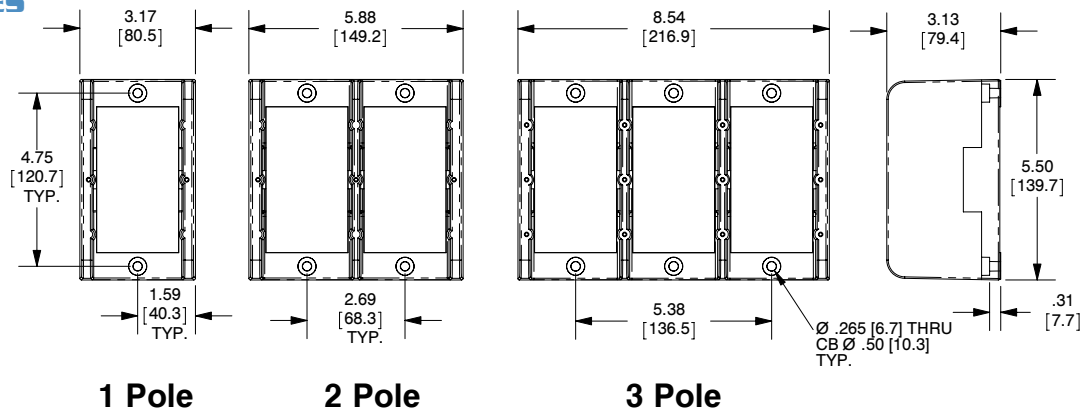
143 SERIES



144 SERIES



145 SERIES



For electronic drawings or 2D/3D CAD data, submit request at www.marathonsp.com/drawings.html