

10 9 8 7 6 5 4 3 2 1

F

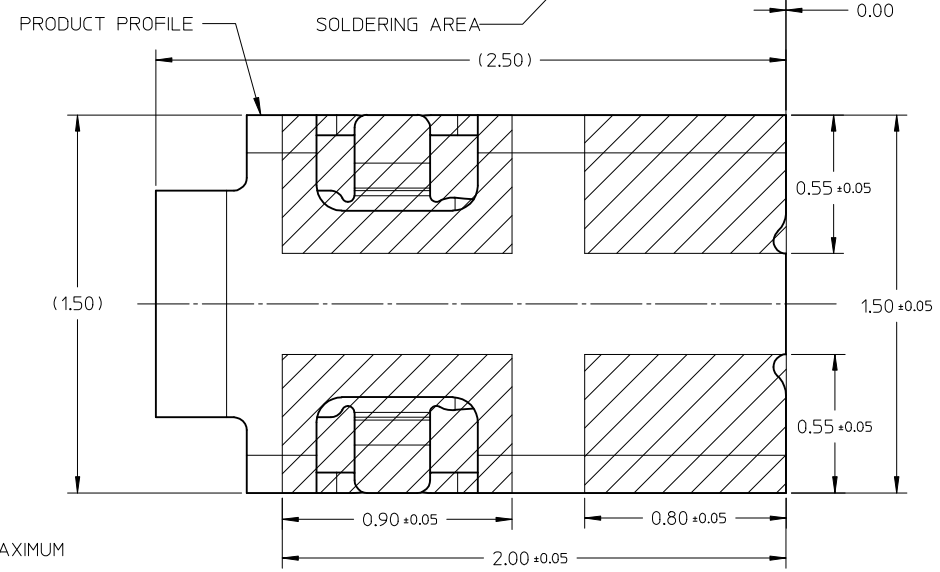
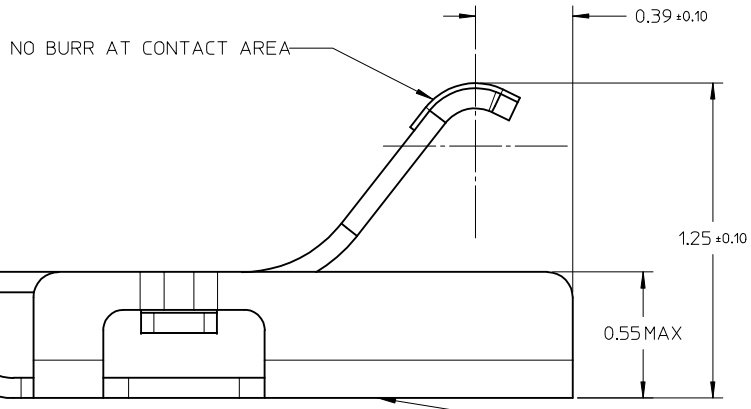
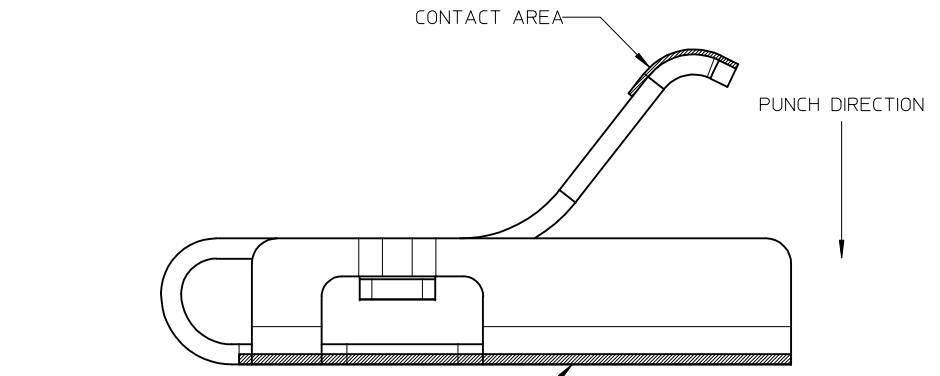
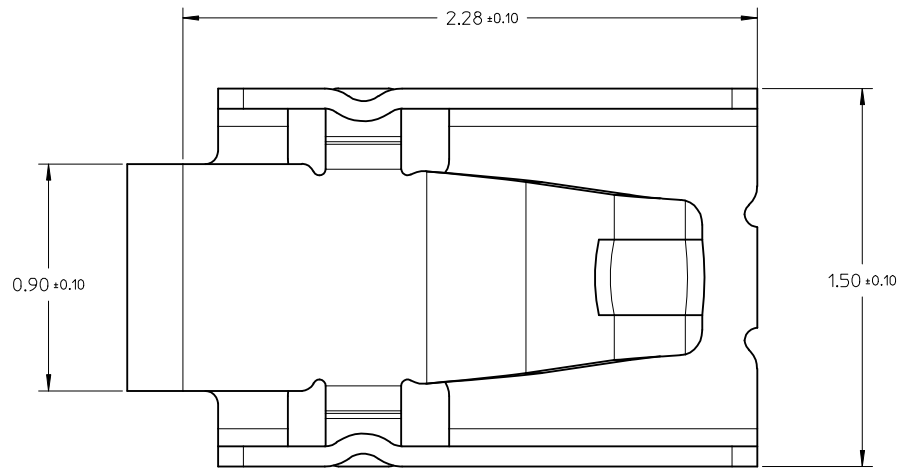
E

D

C

B

A



- NOTES:
1. MATERIAL: STAINLESS STEEL
 - 2.FINISH:
 NI UNDER PLATING OVERALL: 1.25um MINIMUM
 SOLDERING AREA: GOLD FLASH
 CONTACT AREA: 0.25um Au MINIMUM
 - 3.COMPONENT UN-COMPRESSED HEIGHT: 1.25mm
 COMPONENT WORKING RANGE: 0.55mm~1.05mm
 - 4.CURRENT: 1.5Amps MAXIMUM
 - 5.CONTACT RESISTANCE:
 INITIAL: 75mOHM MAXIMUM
 AFTER GROUP TEST: 100mOHM MAXIMUM
 - 6.CONTACT FORCE:
 0.2N MINIMUM AT 1.05mm POSITION
 - 7.PRODUCT COMPLIANT TO ROHS DIRECTIVE 2011/65/EU
 AND ELV DIRECTIVE 2003/53/EC

CO-PLANARITY 0.08MM MAXIMUM

RECOMMENDED PWB GOLDEN PAD
 THICKNESS OF SOLDER PASTE: 0.10mm

PROPOSAL EC NO: SHZ016-0120 DRW:RL109 CHKD: APPR:RZHANG REV A	2015/11/11 2015/12/03	DESCRIPTION QUALITY SYMBOLS $F_A=0$ $F_G=0$ $F_P=0$	GENERAL TOLERANCES (UNLESS SPECIFIED)		DIMENSION STYLE MM ONLY		SCALE 50:1	DESIGN UNITS METRIC	THIRD ANGLE PROJECTION																																								
			<table border="1"> <thead> <tr> <th></th> <th>mm</th> <th>INCH</th> </tr> </thead> <tbody> <tr> <td>4 PLACES</td> <td>± ---</td> <td>± ---</td> </tr> <tr> <td>3 PLACES</td> <td>± ---</td> <td>± ---</td> </tr> <tr> <td>2 PLACES</td> <td>± 0.15</td> <td>± ---</td> </tr> <tr> <td>1 PLACE</td> <td>± 0.20</td> <td>± ---</td> </tr> <tr> <td>0 PLACE</td> <td>± ---</td> <td>± ---</td> </tr> </tbody> </table>		mm	INCH	4 PLACES	± ---	± ---	3 PLACES	± ---	± ---	2 PLACES	± 0.15	± ---	1 PLACE	± 0.20	± ---	0 PLACE	± ---	± ---	<table border="1"> <tr> <td>DRAWN BY</td> <td>DATE</td> <td>TITLE</td> </tr> <tr> <td>RL109</td> <td>2015/04/02</td> <td rowspan="2"> SPRING FINGER WORKING RANGE 0.55MM~1.05MM molex </td> </tr> <tr> <td>CHECKED BY</td> <td>DATE</td> </tr> <tr> <td>APPROVED BY</td> <td>DATE</td> <td>DOCUMENT NO.</td> </tr> <tr> <td>RZHANG</td> <td>2015/12/03</td> <td>SD-105439-200</td> </tr> <tr> <td>MATERIAL NO.</td> <td colspan="2">SHEET NO.</td> </tr> <tr> <td>1054390002</td> <td colspan="2">1 OF 2</td> </tr> </table>	DRAWN BY	DATE	TITLE	RL109	2015/04/02	SPRING FINGER WORKING RANGE 0.55MM~1.05MM molex	CHECKED BY	DATE	APPROVED BY	DATE	DOCUMENT NO.	RZHANG	2015/12/03	SD-105439-200	MATERIAL NO.	SHEET NO.		1054390002	1 OF 2		DRAFT WHERE APPLICABLE MUST REMAIN WITHIN DIMENSIONS		SIZE A3	THIS DRAWING CONTAINS INFORMATION THAT IS PROPRIETARY TO MOLEX INCORPORATED AND SHOULD NOT BE USED WITHOUT WRITTEN PERMISSION			
		mm	INCH																																														
	4 PLACES	± ---	± ---																																														
3 PLACES	± ---	± ---																																															
2 PLACES	± 0.15	± ---																																															
1 PLACE	± 0.20	± ---																																															
0 PLACE	± ---	± ---																																															
DRAWN BY	DATE	TITLE																																															
RL109	2015/04/02	SPRING FINGER WORKING RANGE 0.55MM~1.05MM molex																																															
CHECKED BY	DATE																																																
APPROVED BY	DATE	DOCUMENT NO.																																															
RZHANG	2015/12/03	SD-105439-200																																															
MATERIAL NO.	SHEET NO.																																																
1054390002	1 OF 2																																																

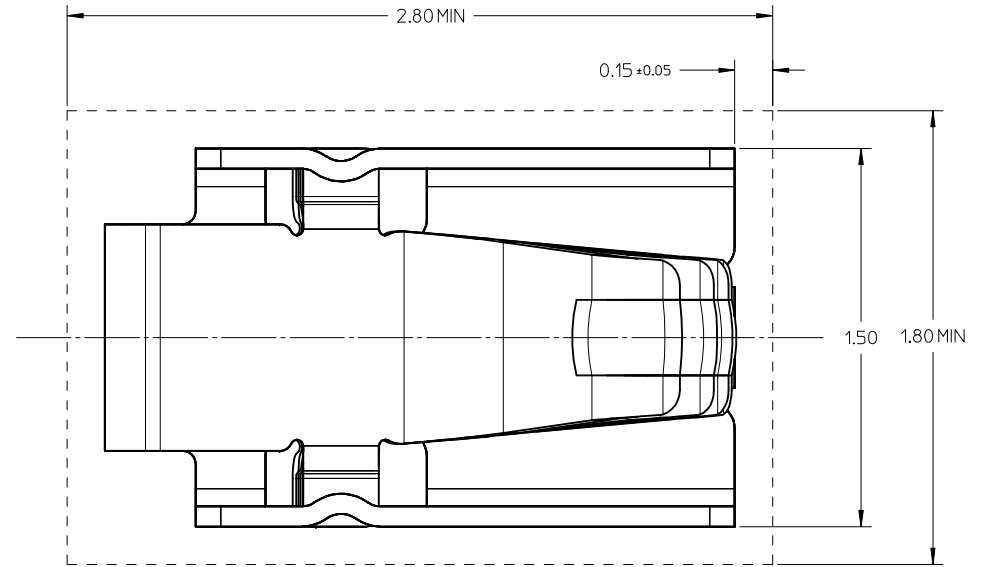
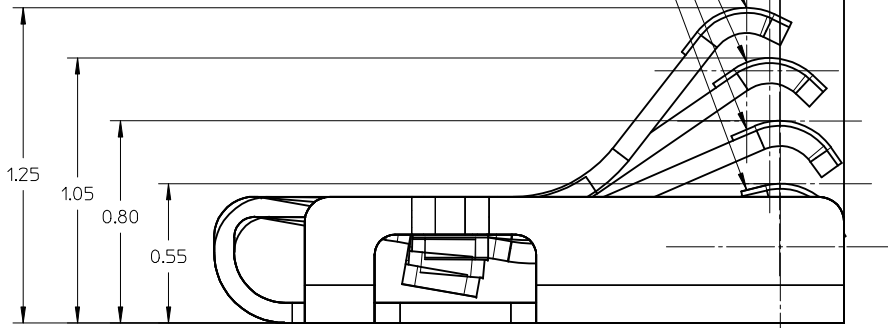
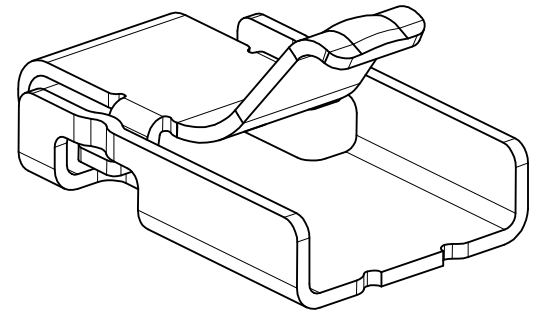
9 8 7 6 5 4 3 2 1

10 9 8 7 6 5 4 3 2 1

FREE HEIGHT
 MINIMUM WORKING POSITION
 NOMINAL WORKING POSITION
 MAXIMUM WORKING POSITION

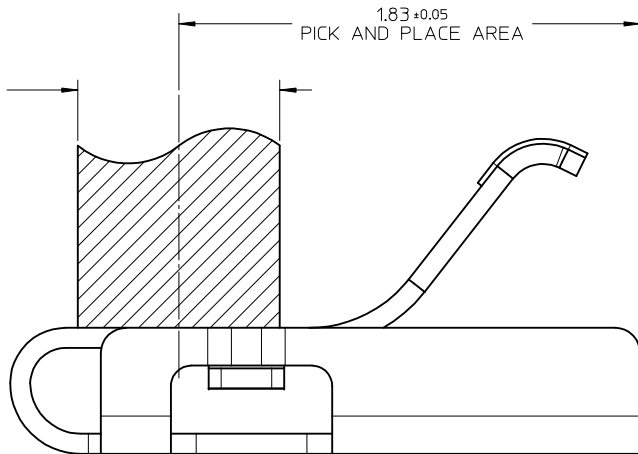
0.39
 CONTACT POINT AT FREE HEIGHT

0.30 ±0.20
 CONTACT POINT AT MINIMUM WORKING POSITION
 0.26 ±0.20
 CONTACT POINT AT NOMINAL WORKING POSITION
 0.25 ±0.20
 CONTACT POINT AT MAXIMUM WORKING POSITION



1.83 ±0.05
 PICK AND PLACE AREA

∅0.80 MAX
 NOZZLE



ROOM RESERVATION FOR CLIP

PROPOSAL EC NO: SH2016-0120 DRW: RL109 CHKD: APPR: RZHANG 2015/11/11 2015/12/03	QUALITY SYMBOLS	GENERAL TOLERANCES (UNLESS SPECIFIED)	DIMENSION STYLE MM ONLY	SCALE 50:1	DESIGN UNITS METRIC	THIRD ANGLE PROJECTION	
	$F_A=0$ $F_G=0$ $F_P=0$	mm INCH 4 PLACES ± --- ± --- 3 PLACES ± --- ± --- 2 PLACES ± 0.15 ± --- 1 PLACE ± 0.20 ± --- 0 PLACE ± --- ± ---	DRAWN BY: RL109 DATE: 2015/04/02 CHECKED BY: DATE: APPROVED BY: RZHANG DATE: 2015/12/03	TITLE	SPRING FINGER WORKING RANGE 0.55MM~1.05MM molex		
	ANGULAR ± 3 ° DRAFT WHERE APPLICABLE MUST REMAIN WITHIN DIMENSIONS	MATERIAL NO. 1054390002	DOCUMENT NO. SD-105439-200	SHEET NO. 2 OF 2			
	THIS DRAWING CONTAINS INFORMATION THAT IS PROPRIETARY TO MOLEX INCORPORATED AND SHOULD NOT BE USED WITHOUT WRITTEN PERMISSION						

9 8 7 6 5 4 3 2 1