

Honeywell



Representative photograph, actual product appearance may vary.

Due to regional agency approval requirements, some products may not be available in your area. Please contact your regional Honeywell office regarding your product of choice.

12TW1-1G

TW Series Toggle Switch, 2 pole, 3 position, Solder terminal, Locking Lever, Military Part Number MS27721-21-1G

Features

- Qualified to MIL-S-83731
- Save space and weight
- SPDT and DPDT circuitry
- Temperature range: -85°F to +160°F (-65°C to +71°C)
- Sealed bushing versions
- Choice of ¼ in. or 15/32 in. bushing
- Color tab available on 15/32 in. bushing
- UL recognized

Typical Applications

- Industrial machinery and equipment
- Military and commercial aviation
- Construction equipment
- Test instruments
- Agricultural machinery
- Process control
- Medical instrumentation

Description

Miniature toggle switches in two bushing sizes. Molded-in terminals are plated for soldering. Momentary and maintained circuitry closures available. Special on-on-on circuitries are also available. Pull-to-unlock levers prevent accidental operation.



12TW1-1G

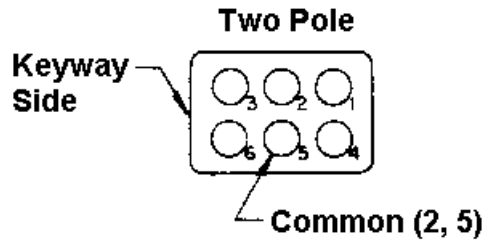
TW Series Toggle Switch, 2 pole, 3 position, Solder terminal, Locking Lever, Military
 Part Number MS27721-21-1G

Product Specifications	
Product Type	Toggle
Ampere/Voltage Range (Resistive Load)	0.1 A to 5.0 A at 0.5 Vac to 115 Vac, 0.1 A to 5.0 A at 0.5 Vdc to 28 Vdc
Circuitry	DPDT
Action	3 position
Circuitry/Operating action	
Mounting	Bushing 15/32 in
Termination	Solder
Military Part Number	MS27721-21-1G
Lever Type	Locking
Lever Lock	
UL/CSA Rating Code	L117: 5 A at 125 Vac
Comment	Fine silver contacts
Availability	Global
UNSPSC Code	30211908
UNSPSC Commodity	30211908 Toggle switches
Series Name	TW Series

Honeywell

12TW1-1G

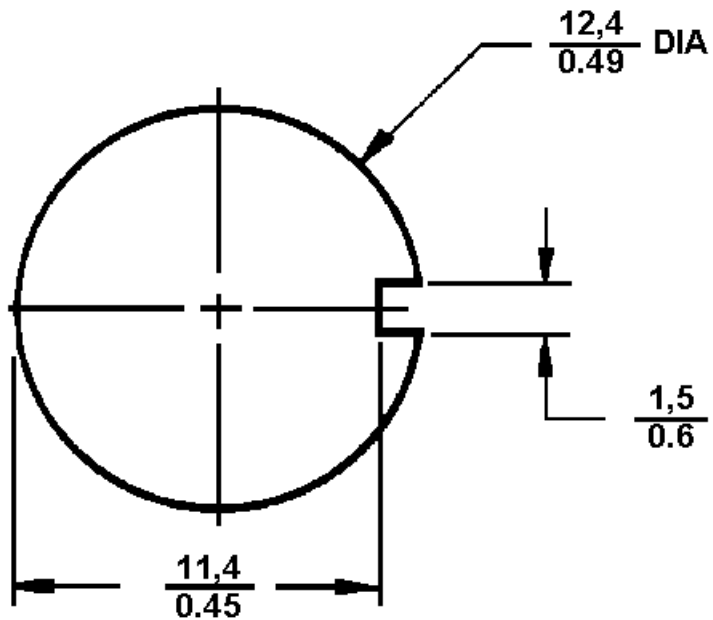
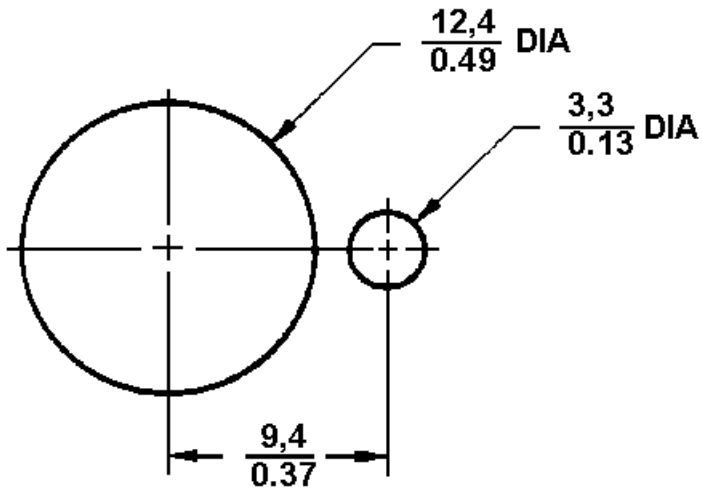
TW Series Toggle Switch, 2 pole, 3 position, Solder terminal, Locking Lever, Military
Part Number MS27721-21-1G



Honeywell

12TW1-1G

TW Series Toggle Switch, 2 pole, 3 position, Solder terminal, Locking Lever, Military
 Part Number MS27721-21-1G



Honeywell

12TW1-1G

TW Series Toggle Switch, 2 pole, 3 position, Solder terminal, Locking Lever, Military
Part Number MS27721-21-1G

WARNING

PERSONAL INJURY

DO NOT USE these products as safety or emergency stop devices, or in any other application where failure of the product could result in personal injury.

Failure to comply with these instructions could result in death or serious injury.

WARNING

MISUSE OF DOCUMENTATION

- The information presented in this product sheet (or catalog) is for reference only. DO NOT USE this document as product installation information.
- Complete installation, operation and maintenance information is provided in the instructions supplied with each product.

Failure to comply with these instructions could result in death or serious injury.

© Copyright Honeywell Inc. 1998-2004 All rights reserved.