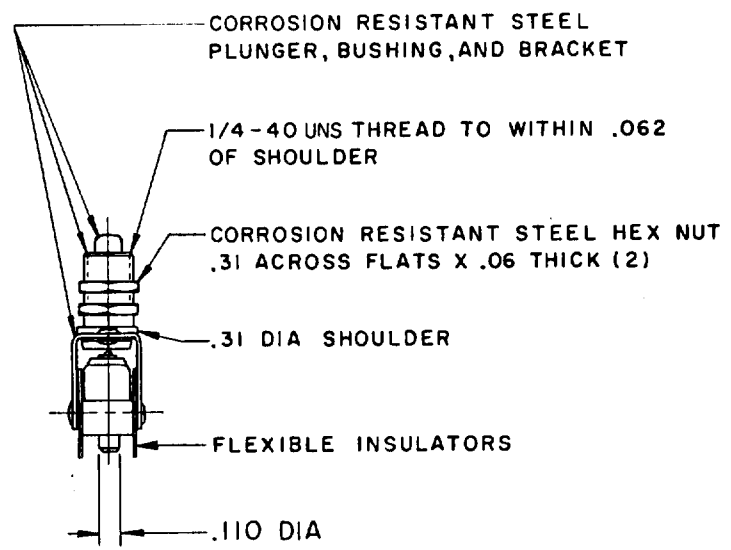
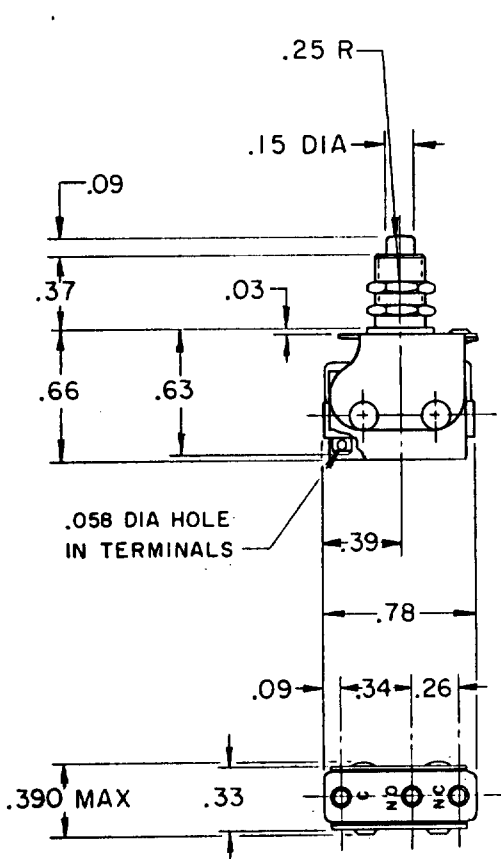
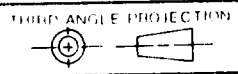


IPB5
 M
 DRAWING NUMBER
 ISSUE 13
 REVISIONS
 A C047481
 J A P
 20 MAR 80
 CHECK
 21 MAR 80
 DRAWN
 J A P 20 MAR 80
 FO-52848-A



NOTE -
 1 - UNIT INCLUDES CAT. LIST, ISM TYPE BASIC SWITCH
 2 - TERMINALS ARE PLATED FOR SOLDERING
 3 - RECOMMENDED FOR MANUAL OPERATION ONLY

THIS DRAWING COVERS A PROPRIETARY ITEM AND IS THE PROPERTY OF MICRO SWITCH, A DIVISION OF HONEYWELL. THIS DRAWING IS NOT TO BE COPIED OR USED WITHOUT THE APPROVAL OF MICRO SWITCH.



CHARACTERISTICS
OPERATING FORCE ----- 1 LB APPROX
TOTAL TRAVEL ----- .030 APPROX

ELECTRICAL DATA
CONTACT ARRANGEMENT S P D T
250 VAC ----- 5 AMP
30 VOLTS DC RATING
INDUCTIVE ----- SEA LEVEL --- 3 AMP
50,000 FT --- 2.5 AMP
RESISTIVE ----- SEA LEVEL --- 5 AMP
50,000 FT --- 5 AMP
MAXIMUM INRUSH ----- 24 AMP

SCALE	FULL		
DO NOT SCALE PRINT			
TOLERANCES			
APPLY TO DESIGN UNITS. CONVERSIONS ARE ONLY FOR REFERENCE. UNLESS NOTED, TOLERANCES ARE ±			
DIM. mm	TOL. mm/in	DIM. in	TOL. mm/in
NO PLACES	X	1/04	X X
ONE PLACE	X,X	0.4/016	X X
TWO PLACES	X,XX	0.15/006	X XX
THREE PLACES	X,XXX		X XXX
ANGLES			
DESIGN UNITS	<input type="checkbox"/> SI METRIC	<input checked="" type="checkbox"/> US CUSTOMARY	
WEIGHT			

Mouser Electronics

Authorized Distributor

Click to View Pricing, Inventory, Delivery & Lifecycle Information:

[Honeywell:](#)

[1PB5](#)