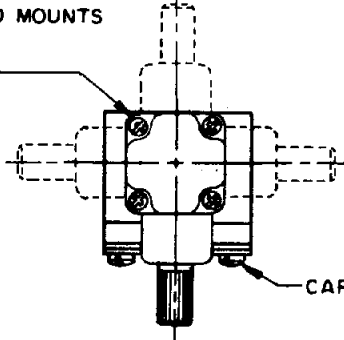


H MICRO SWITCH
 FREEPORT, ILLINOIS, U.S.A.
 A DIVISION OF HONEYWELL
 FED. MFG. CODE 91929

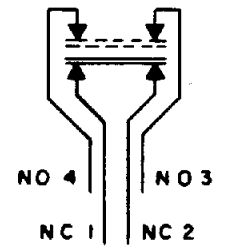
SWITCH - ENCLOSED

CATALOG LISTING
1LS131

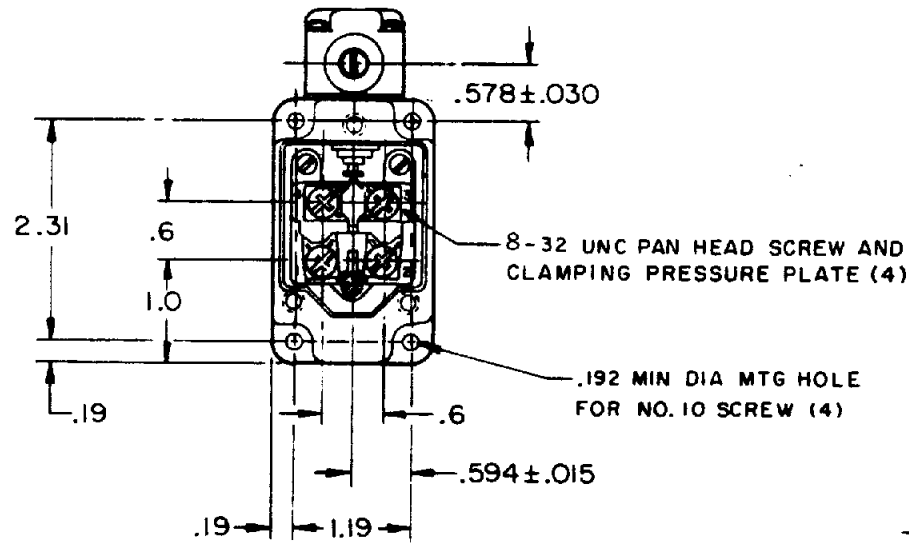
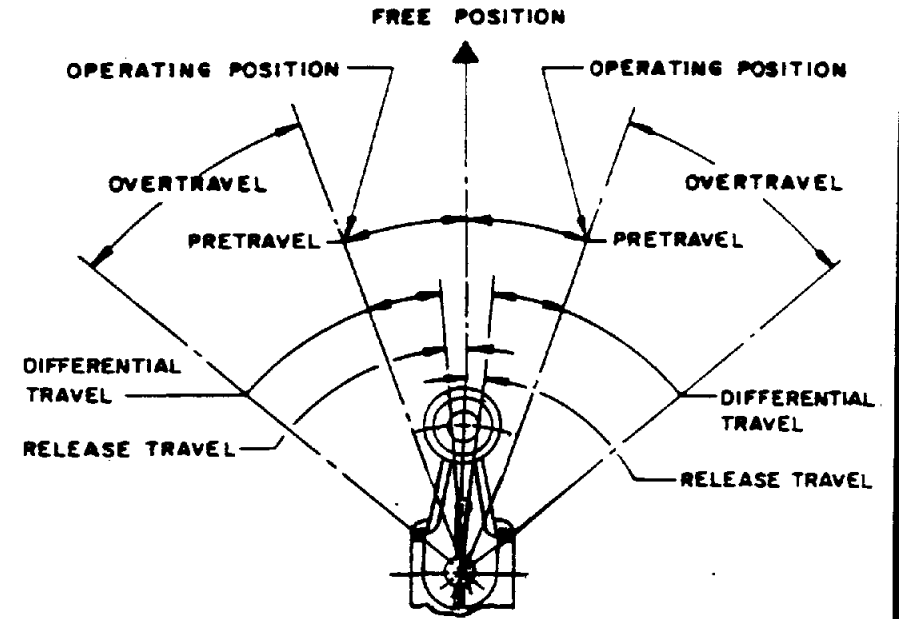
OPERATING HEAD MOUNTS
 IN ANY OF FOUR
 POSITIONS



CAPTIVE COVER SCREW (3)

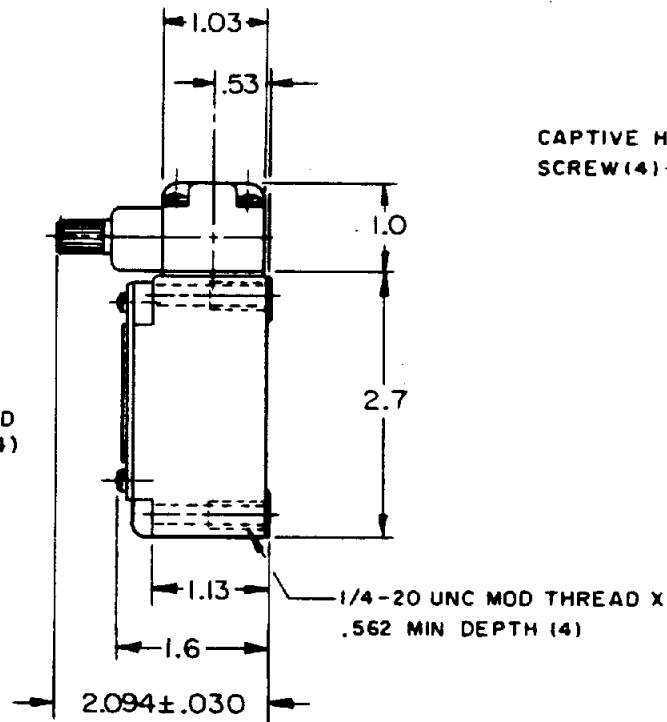


CIRCUIT DIAGRAM



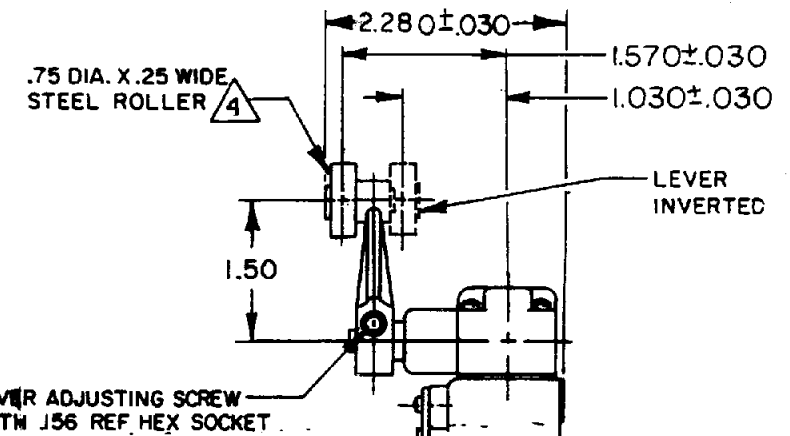
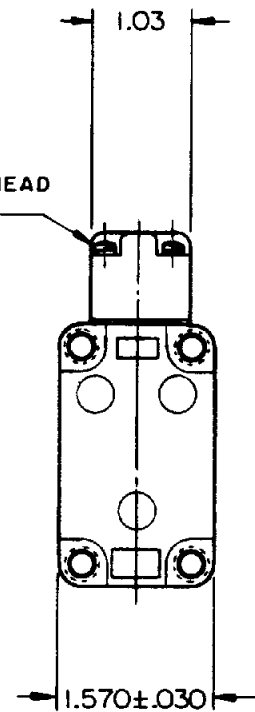
8-32 UNC PAN HEAD SCREW AND
 CLAMPING PRESSURE PLATE (4)

.192 MIN DIA MTG HOLE
 FOR NO. 10 SCREW (4)



CAPTIVE HEAD
 SCREW (4)

1/4-20 UNC MOD THREAD X
 .562 MIN DEPTH (4)



CAM TRACKING VIEW

1LS131
 M
 DRAWING NUMBER
 13
 ISSUE
 13
 REVISIONS
 A CD 18398
 CD 18785
 20 FEB 64
 B CO 20224
 R R R
 11 OCT 68
 C CO 20673
 R R R
 25 APR 66
 D CO 23405
 M B S
 26 SEP 69
 E CO 25152
 D A W
 17 MAR 69
 F CO 50952-G
 W J M
 24 JUN 83
 G CO 53005-D
 C J H
 1 AUG 84
 H CO 70394-B
 D A W
 26 AUG 91
 J CO 77031
 J D B
 20 DEC 93
 VDF 20 FEB 64
 DRAWN
 24 MAR 64
 CHECK
 20 DEC 93

THIS DRAWING COVERS A PROPRIETARY ITEM AND IS THE PROPERTY OF MICRO SWITCH, A DIVISION OF MINNEAPOLIS-HONEYWELL REGULATOR CO. THIS DRAWING IS NOT TO BE COPIED OR USED WITHOUT THE APPROVAL OF MICRO SWITCH.

CHARACTERISTICS	ELECTRICAL DATA	SCALE 1/2 TO 1
OPERATING TORQUE ----- 1.7 IN-LB MAX	CONTACT ARRANGEMENT (SEE CIRCUIT DIAGRAM)	DO NOT SCALE PRINT
FULL OVERTRAVEL TORQUE ----- 2.3 IN-LB MAX	10A - 120, 240 OR 480 VAC	UNLESS OTHERWISE NOTED
RELEASE TORQUE ----- .28 IN-LB MIN	1/4 HP - 120 VAC; 1/2 HP - 240 VAC	DIMENSIONS ARE IN INCHES
PRETRAVEL ----- 5° MAX	PILOT DUTY: 600 VAC MAX	TOLERANCES ARE:
OVERTRAVEL ----- 30° MIN		ONE PLACE (.0) ± .030
RELEASE TRAVEL ----- 0°30' MIN		TWO PLACE (.00) ± .015
SWITCH-BASIC REPLACEMENT ----- 2 MNB		THREE PLACE (.000) ± .008
		ANGLES ±
		WEIGHT 9 OZ

NOTE-

- SWITCH IS ASSEMBLED FOR ACTUATION IN BOTH DIRECTIONS BUT MAY BE ADJUSTED TO ACTUATE IN EITHER THE CLOCKWISE DIRECTION ONLY OR THE COUNTERCLOCKWISE DIRECTION ONLY
- TO CONVERT SWITCH FOR ACTUATION IN EITHER THE CLOCKWISE OR COUNTERCLOCKWISE DIRECTION ONLY, REMOVE ACTUATOR HEAD AND ROTATE THE NOTCHED PLUNGER 90° TO THE RIGHT FOR CLOCKWISE ACTUATION OR 90° TO THE LEFT FOR COUNTERCLOCKWISE ACTUATION
- SEAL TO BE FURNISHED BY USER.
- ROLLER LEVER MAY BE LOCKED IN ANY POSITION THRU 360°
- LEVER FURNISHED UNASSEMBLED IN UNIT PACKING BOX