

RockStar® Housings IP65 / NEMA Type 4X

Side locking, lower side

Size 4

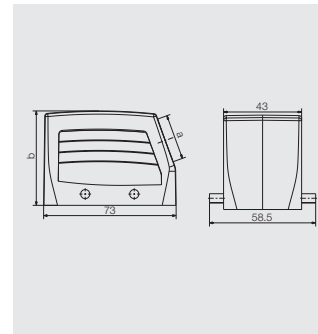
Hood



Hood, Cable Entry sideways



a	Version	Cover	b (mm)	Designation	Order No.
M20	with thread		52	HDC 10B TSBU 1M20G	1787560000
M25	with thread		52	HDC 10B TSBU 1M25G	1787550000
M25	with thread		72	HDC 24D TSBU 1M25G	1787240000
M32	with thread		72	HDC 24D TSBU 1M32G	1787230000
PG 16	with thread		52	HDC 10B TSBU 1PG16G	1654070000
PG 21	with thread		52	HDC 10B TSBU 1PG21G	1654090000
PG 21	with thread		72	HDC 24D TSBU 1PG21G	1654150000
PG 29	with thread		72	HDC 24D TSBU 1PG29G	1654170000

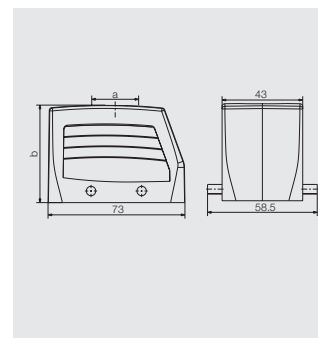


D

Hood, Cable Entry at top



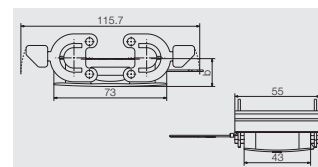
a	Version	Cover	b (mm)	Designation	Order No.
M20	with thread		52	HDC 10B TOBU 1M20G	1787600000
M25	with thread		52	HDC 10B TOBU 1M25G	1787590000
M25	with thread		72	HDC 24D TOBU 1M25G	1787300000
M32	with thread		72	HDC 24D TOBU 1M32G	1787290000
PG 16	with thread		52	HDC 10B TOBU 1PG16G	1654220000
PG 21	with thread		52	HDC 10B TOBU 1PG21G	1654240000
PG 21	with thread		52	HDC 10B TOBU 1PG21G	1816420000
PG 29	with thread		72	HDC 24D TOBU 1PG29G	1654320000



Cover



Version	Designation	Order No.
for hoods	HDC 10B DMDQ 2QB	1665240000



Side locking, lower side

Size 4

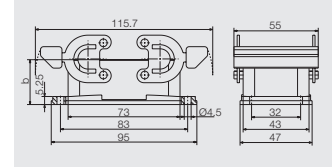
Base



Bulkhead housing



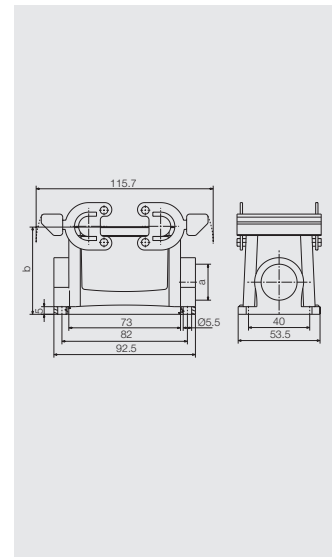
Version	Cover	b (mm)	Designation	Order No.
	without cover	29.3	HDC 10B ABU	1205000000



Base housing



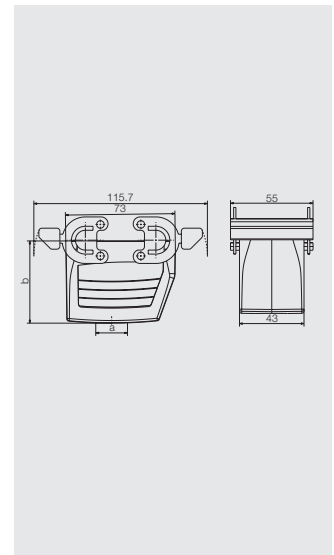
a	Version	Cover	b (mm)	Designation	Order No.
M20	with thread	without cover	57	HDC 10B SBU 1M20G	1901360000
M20	with thread	without cover	57	HDC 10B SBU 2M20G	1787640000
M25	with thread	without cover	57	HDC 10B SBU 1M25G	1901370000
M25	with thread	without cover	57	HDC 10B SBU 2M25G	1787630000
M25	with thread	without cover	74	HDC 24D SBU 1M25G	1903210000
M25	with thread	without cover	74	HDC 24D SBU 2M25G	1787350000
M32	with thread	without cover	74	HDC 24D SBU 1M32G	1903220000
M32	with thread	without cover	74	HDC 24D SBU 2M32G	1787360000
PG 16	with thread	without cover	57	HDC 10B SBU 1PG16G	1654370000
PG 16	with thread	without cover	57	HDC 10B SBU 2PG16G	1654380000
PG 21	with thread	without cover	74	HDC 24D SBU 2PG21G	1654450000
PG 29	with thread	without cover	74	HDC 24D SBU 1PG29G	1654470000



Coupling hood



a	Version	Cover	b (mm)	Designation	Order No.
M20	with thread		55	HDC 10B KBU 1M20G	1787720000
PG 16	with thread		55	HDC 10B KBU 1PG16G	1654580000



Cover



Version	Designation	Order No.
for bases	HDC 10B DODQ 4B0	1665230000

