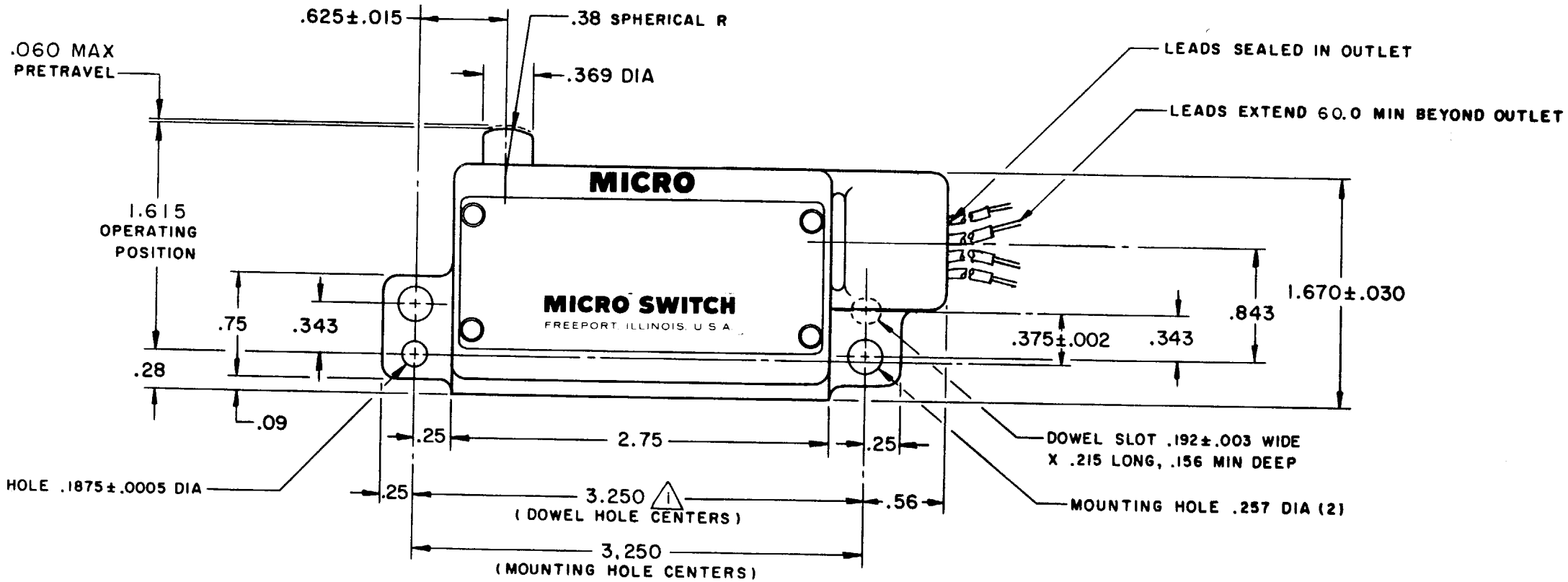
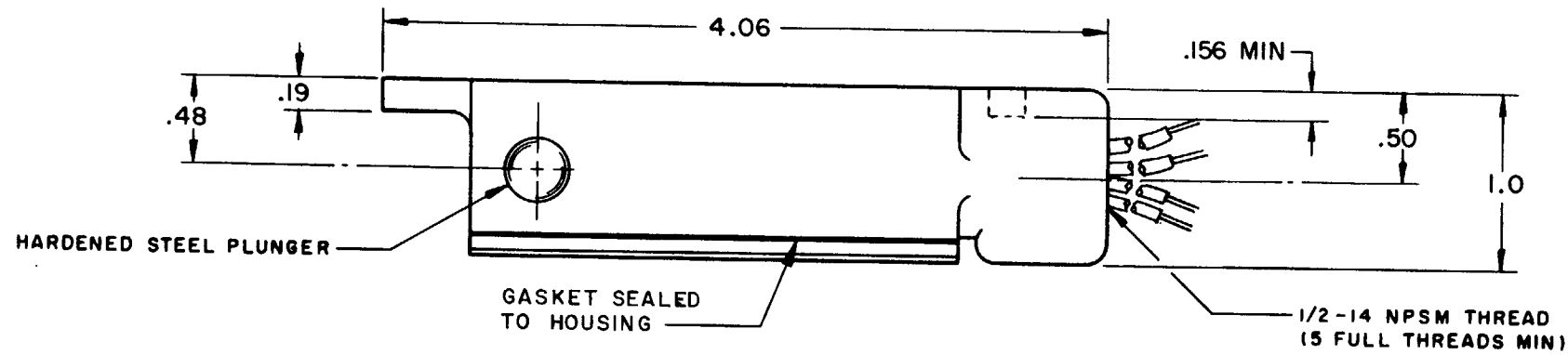
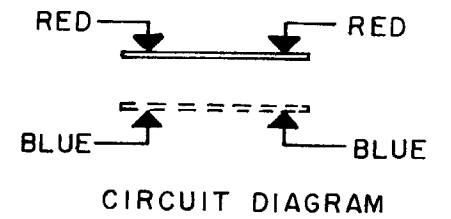


H MICRO SWITCH
 FREEPORT, ILLINOIS, U.S.A.
 A DIVISION OF HONEYWELL
 FED. MFG. CODE 91929

SWITCH - ENCLOSED

CATALOG LISTING
1LN4-5-LH



MBS 5 AUG 70 DRAWN
 MBS 5 AUG 70 CHECK
 JAP 27 APR 84
 B 0054996
 K P K 18 FEB 75
 A PR-4771
 4
 X
 X
 M
 1LN4-5-LH
 PR-4771
 REPLACES

THIS DRAWING COVERS A PROPRIETARY ITEM AND IS THE PROPERTY OF MICRO SWITCH, A DIVISION OF MINNEAPOLIS-HONEYWELL REGULATOR CO. THIS DRAWING IS NOT TO BE COPIED OR USED WITHOUT THE APPROVAL OF MICRO SWITCH.

CHARACTERISTICS	ELECTRICAL DATA	SCALE FULL
OPERATING FORCE ----- 6 LB MAX	CONTACT ARRANGEMENT (SEE CIRCUIT DIAGRAM)	DO NOT SCALE PRINT
RELEASE FORCE ----- 1 LB MIN	-L25- 10 A-125 OR 250 VAC 1/2 HP-125 VAC	UNLESS OTHERWISE NOTED DIMENSIONS ARE IN INCHES
DIFFERENTIAL TRAVEL ----- .030 MAX		TOLERANCES ARE:
OVERTRAVEL ----- .172 MIN		ONE PLACE (.0) ±.030 TWO PLACE (.00) ±.015 THREE PLACE (.000) ±.005 ANGLES ±
		WEIGHT

NOTE-
 △ DOWEL HOLES WILL ACCEPT .187 MAX DIA
 DOWEL PINS ON 3.250 X .375 ± .002 CENTERS