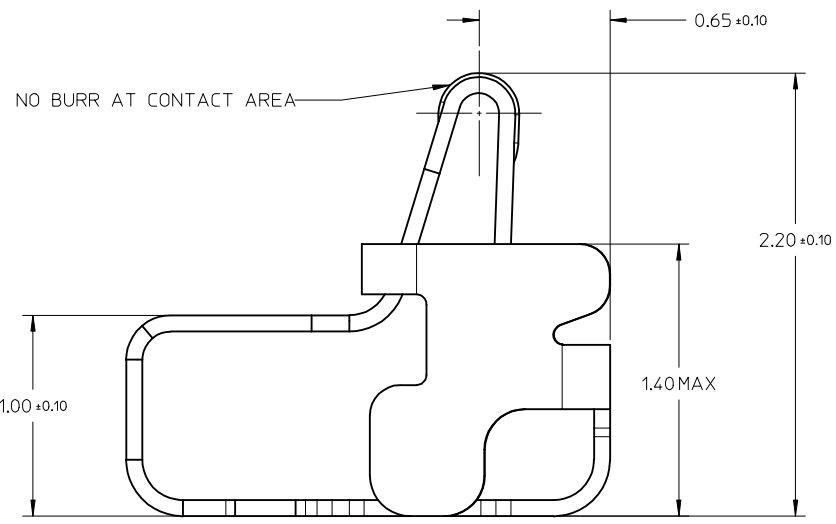
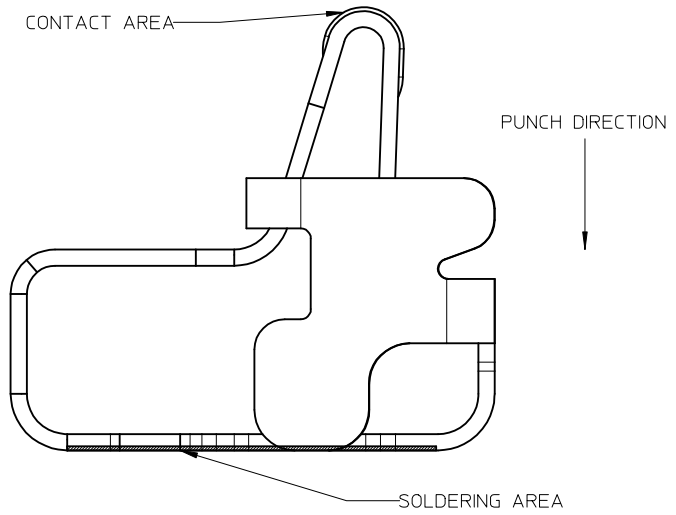
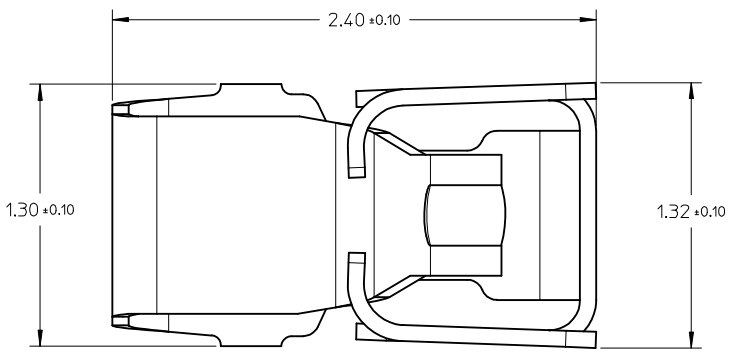


10 9 8 7 6 5 4 3 2 1



- NOTES:
1. MATERIAL: STAINLESS STEEL
  2. FINISH:
    - NI UNDER PLATING OVERALL: 1.25um MINIMUM
    - SOLDERING AREA: GOLD FLASH
    - CONTACT AREA: 0.25um Au MINIMUM
  3. COMPONENT UN-COMPRESSED HEIGHT: 2.20mm  
COMPONENT WORKING RANGE: 1.40mm~2.00mm
  4. CURRENT: 1.5Amps MAXIMUM
  5. CONTACT RESISTANCE:
    - INITIAL: 75mOHM MAXIMUM
    - AFTER GROUP TEST: 100mOHM MAXIMUM
  6. CONTACT FORCE:
    - 0.2N MINIMUM AT 2.00mm POSITION
  7. PRODUCT COMPLIANT TO ROHS DIRECTIVE 2011/65/EU AND ELV DIRECTIVE 2003/53/EC

F

E

D

C

B

A

PROPOSAL EC NO: SH2016-0120 DRW: RL109 CHKD: APPR: RZHANG 2015/10/26 2015/12/03	DESCRIPTION REV	QUALITY SYMBOLS	GENERAL TOLERANCES (UNLESS SPECIFIED)	DIMENSION STYLE MM ONLY	SCALE 40:1	DESIGN UNITS METRIC	THIRD ANGLE PROJECTION
		$F_A=0$ $F_C=0$ $F_P=0$	mm    INCH 4 PLACES ± --- ± --- 3 PLACES ± --- ± --- 2 PLACES ± 0.15 ± --- 1 PLACE ± 0.20 ± --- 0 PLACE ± --- ± ---	DRAWN BY: RL109    DATE: 2015/04/03 CHECKED BY:    DATE:	TITLE	SPRING FINGER WORKING RANGE 1.40MM~2.00MM <b>molex</b>	
		ANGULAR ± 3 ° DRAFT WHERE APPLICABLE MUST REMAIN WITHIN DIMENSIONS	APPROVED BY: RZHANG    DATE: 2015/12/03 MATERIAL NO.: 1054390005 DOCUMENT NO.: SD-105439-500	SHEET NO.	1 OF 3		
		THIS DRAWING CONTAINS INFORMATION THAT IS PROPRIETARY TO MOLEX INCORPORATED AND SHOULD NOT BE USED WITHOUT WRITTEN PERMISSION					

9 8 7 6 5 4 3 2 1

10 9 8 7 6 5 4 3 2 1

F

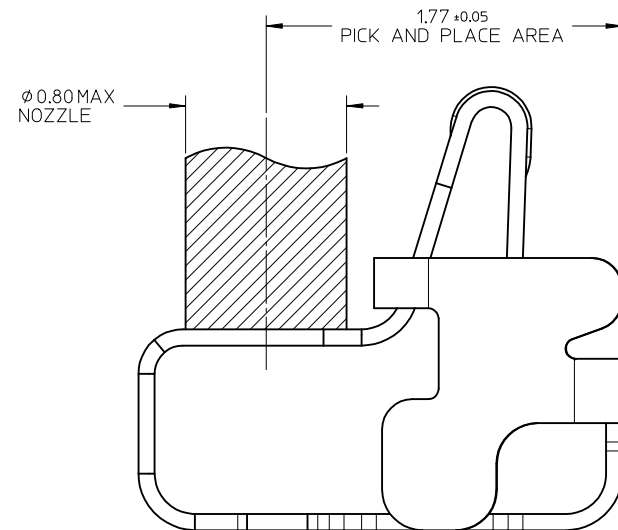
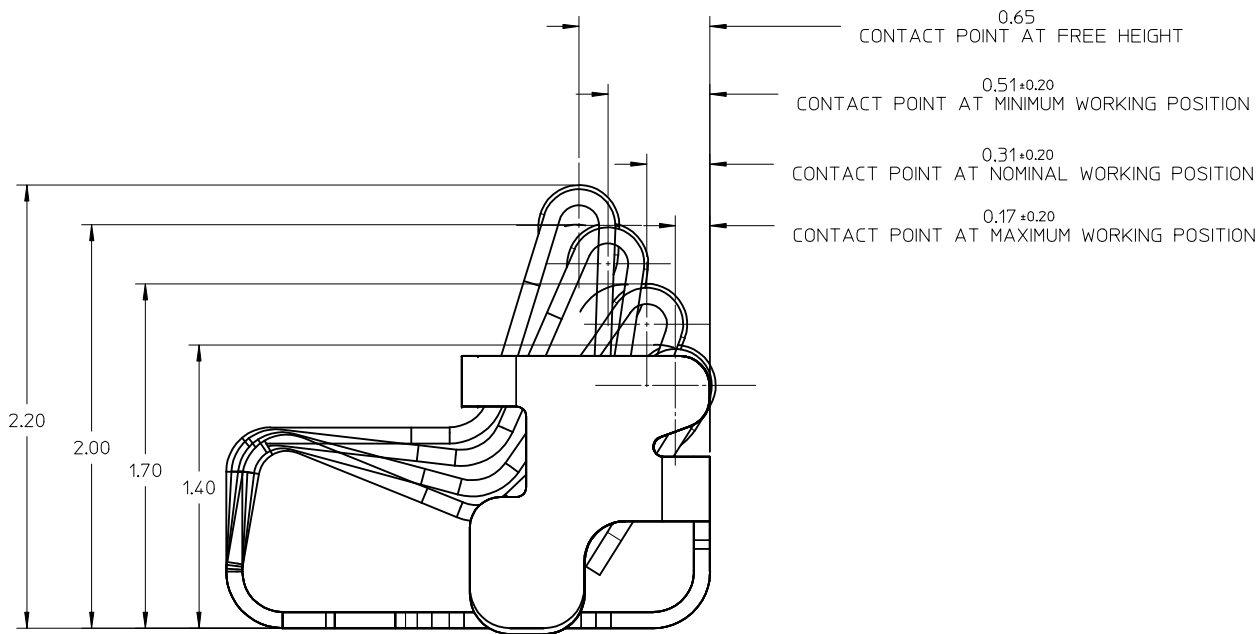
E

D

C

B

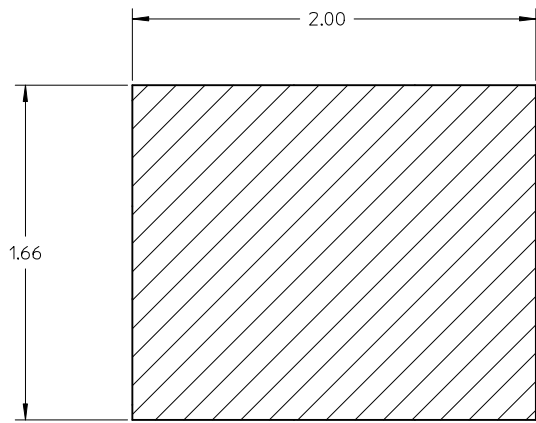
A



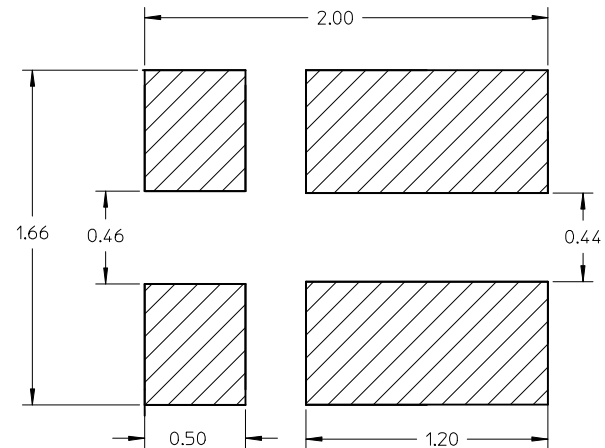
<b>PROPOSAL</b> EC NO: SH2016-0120 2015/10/26 DRW:RL109 CHKD: APPR:RZHANG 2015/12/03 REV <b>A</b>	QUALITY SYMBOLS $\nabla_A=0$ $\nabla_C=0$ $\nabla_P=0$	GENERAL TOLERANCES (UNLESS SPECIFIED) <table border="1"> <thead> <tr> <th></th> <th>mm</th> <th>INCH</th> </tr> </thead> <tbody> <tr> <td>4 PLACES</td> <td><math>\pm</math>---</td> <td><math>\pm</math>---</td> </tr> <tr> <td>3 PLACES</td> <td><math>\pm</math>---</td> <td><math>\pm</math>---</td> </tr> <tr> <td>2 PLACES</td> <td><math>\pm</math>0.15</td> <td><math>\pm</math>---</td> </tr> <tr> <td>1 PLACE</td> <td><math>\pm</math>0.20</td> <td><math>\pm</math>---</td> </tr> <tr> <td>0 PLACE</td> <td><math>\pm</math>---</td> <td><math>\pm</math>---</td> </tr> </tbody> </table>		mm	INCH	4 PLACES	$\pm$ ---	$\pm$ ---	3 PLACES	$\pm$ ---	$\pm$ ---	2 PLACES	$\pm$ 0.15	$\pm$ ---	1 PLACE	$\pm$ 0.20	$\pm$ ---	0 PLACE	$\pm$ ---	$\pm$ ---	DIMENSION STYLE <b>MM ONLY</b>	SCALE <b>40:1</b>	DESIGN UNITS <b>METRIC</b>	THIRD ANGLE PROJECTION
		mm	INCH																					
	4 PLACES	$\pm$ ---	$\pm$ ---																					
	3 PLACES	$\pm$ ---	$\pm$ ---																					
2 PLACES	$\pm$ 0.15	$\pm$ ---																						
1 PLACE	$\pm$ 0.20	$\pm$ ---																						
0 PLACE	$\pm$ ---	$\pm$ ---																						
	DRAFT WHERE APPLICABLE MUST REMAIN WITHIN DIMENSIONS	<table border="1"> <thead> <tr> <th>DRAWN BY</th> <th>DATE</th> <th>TITLE</th> </tr> </thead> <tbody> <tr> <td>RL109</td> <td>2015/04/03</td> <td rowspan="2"> <b>SPRING FINGER WORKING RANGE</b>            1.40MM~2.00MM  <b>molex</b> </td> </tr> <tr> <td>CHECKED BY</td> <td>DATE</td> </tr> </tbody> </table>	DRAWN BY	DATE	TITLE	RL109	2015/04/03	<b>SPRING FINGER WORKING RANGE</b> 1.40MM~2.00MM <b>molex</b>	CHECKED BY	DATE														
DRAWN BY	DATE	TITLE																						
RL109	2015/04/03	<b>SPRING FINGER WORKING RANGE</b> 1.40MM~2.00MM <b>molex</b>																						
CHECKED BY	DATE																							
		<table border="1"> <thead> <tr> <th>APPROVED BY</th> <th>DATE</th> </tr> </thead> <tbody> <tr> <td>RZHANG</td> <td>2015/12/03</td> </tr> </tbody> </table>	APPROVED BY	DATE	RZHANG	2015/12/03	MATERIAL NO. <b>1054390005</b>	DOCUMENT NO. <b>SD-105439-500</b>	SHEET NO. <b>2 OF 3</b>															
APPROVED BY	DATE																							
RZHANG	2015/12/03																							
		SIZE <b>A3</b>	THIS DRAWING CONTAINS INFORMATION THAT IS PROPRIETARY TO MOLEX INCORPORATED AND SHOULD NOT BE USED WITHOUT WRITTEN PERMISSION																					

9 8 7 6 5 4 3 2 1

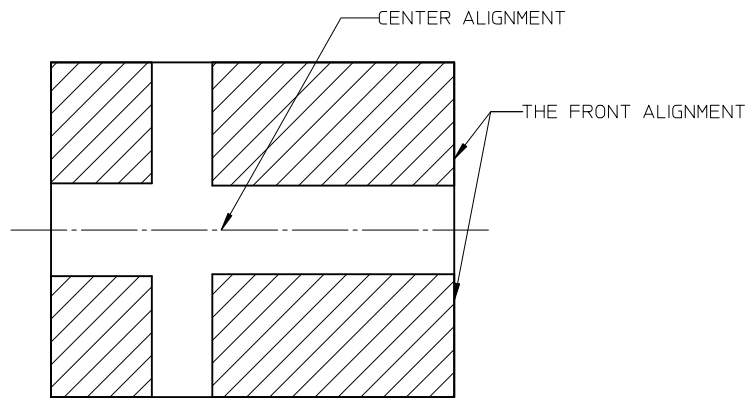
10 9 8 7 6 5 4 3 2 1



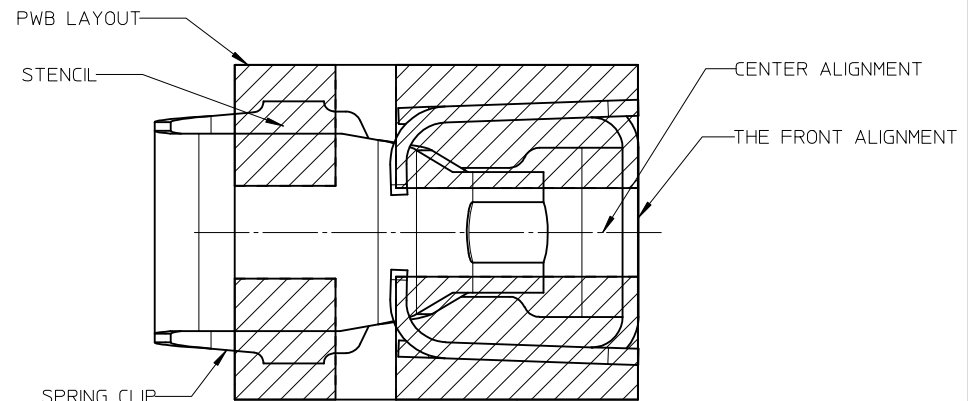
RECOMMENDED PWB LAYOUT  
TOLERANCE±0.05



RECOMMENDED STENCIL  
TOLERANCE±0.03



RELATIVE LOCATION: PWB LAYOUT VS STENCIL



RELATIVE LOCATION: PWB LAYOUT VS SPRING CLIP

<b>PROPOSAL</b> EC NO: SH2016-0120 DRWNR:RL109 CHKD: APPR:RZHANG 2015/10/26 2015/12/03	QUALITY SYMBOLS $F_A=0$ $F_C=0$ $F_P=0$	GENERAL TOLERANCES (UNLESS SPECIFIED) <table border="1"> <thead> <tr> <th></th> <th>mm</th> <th>INCH</th> </tr> </thead> <tbody> <tr> <td>4 PLACES</td> <td>± ---</td> <td>± ---</td> </tr> <tr> <td>3 PLACES</td> <td>± ---</td> <td>± ---</td> </tr> <tr> <td>2 PLACES</td> <td>± 0.15</td> <td>± ---</td> </tr> <tr> <td>1 PLACE</td> <td>± 0.20</td> <td>± ---</td> </tr> <tr> <td>0 PLACE</td> <td>± ---</td> <td>± ---</td> </tr> </tbody> </table>		mm	INCH	4 PLACES	± ---	± ---	3 PLACES	± ---	± ---	2 PLACES	± 0.15	± ---	1 PLACE	± 0.20	± ---	0 PLACE	± ---	± ---	DIMENSION STYLE <b>MM ONLY</b> DRAWN BY: RL109 DATE: 2015/04/03 CHECKED BY: DATE: APPROVED BY: RZHANG DATE: 2015/12/03	SCALE <b>40:1</b>	DESIGN UNITS <b>METRIC</b>	THIRD ANGLE PROJECTION	TITLE <b>SPRING FINGER WORKING RANGE 1.40MM~2.00MM</b> <b>molex</b>
		mm	INCH																						
	4 PLACES	± ---	± ---																						
	3 PLACES	± ---	± ---																						
2 PLACES	± 0.15	± ---																							
1 PLACE	± 0.20	± ---																							
0 PLACE	± ---	± ---																							
DRAFT WHERE APPLICABLE MUST REMAIN WITHIN DIMENSIONS	ANGULAR ± 3 °	MATERIAL NO. <b>1054390005</b>	DOCUMENT NO. <b>SD-105439-500</b>	SHEET NO. <b>3 OF 3</b>																					
THIS DRAWING CONTAINS INFORMATION THAT IS PROPRIETARY TO MOLEX INCORPORATED AND SHOULD NOT BE USED WITHOUT WRITTEN PERMISSION																									
SIZE <b>A3</b>																									

9 8 7 6 5 4 3 2 1