

CATALOG LISTING
M 112TW1 SERIES CHART 1
 PAGE 1 OF 1
 ISSUE 21
 CMH 129SEP09
 REVISIONS
 G 12/13/83
 H 5 MAY 99
 H 05/03/08
 C 6 NOV 99
 J 0041121
 K 0057412
 V 28SEP06
 30 APRIL 79
 BASTER
 F0-2511-A
 DIR ANN

MICRO SWITCH
 FREEPORT, ILLINOIS, U.S.A.
 A DIVISION OF HONEYWELL
 FED. MFG. CODE 91929

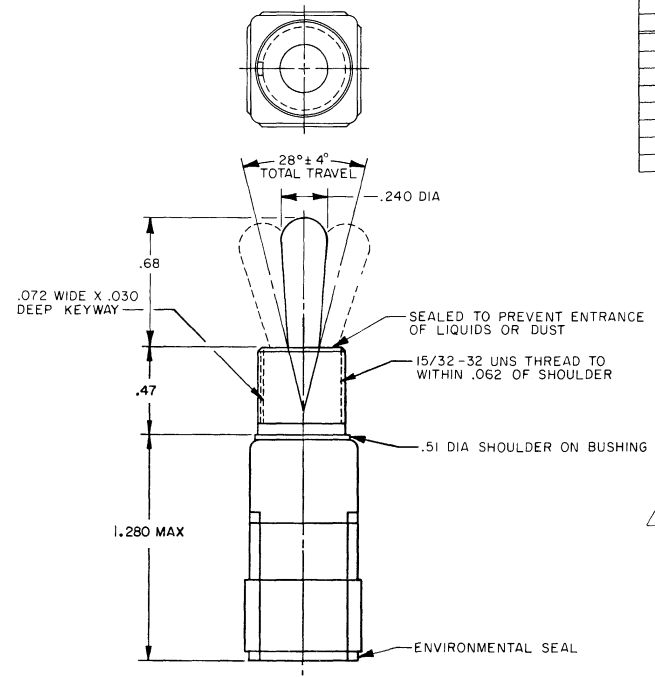
SWITCH-TOGGLE

CATALOG LISTING
112TW1 SERIES
CHART 1

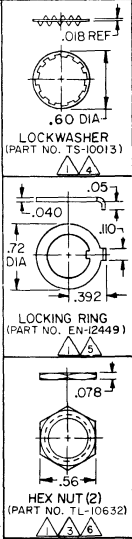
CATALOG LISTING	CIRCUIT MADE WITH TOGGLE LEVER IN		
	KEYWAY SIDE 2-1 5-4	CENTER 1-2 4-5	OPPOSITE KEYWAY 2-3 5-6
112TW1-1	ON	OFF	ON
112TW1-2	OFF	NONE	ON
112TW1-3	ON	NONE	ON
(H)	NONE	OFF	ON
(G)	NONE	ON	ON
112TW1-4	MOM OFF	NONE	ON
112TW1-5	MOM ON	OFF	ON
112TW1-6	MOM ON	NONE	OFF
112TW1-7	MOM ON	OFF	MOM ON
112TW1-8	MOM ON	NONE	ON
112TW1-4I	NONE	MOM OFF	ON
112TW1-5I	NONE	ON	MOM ON
112TW1-6I	MOM ON	OFF	NONE

ELECTRICAL DATA

28 VDC & 125 VAC
 5 AMP RES
 2 AMP IND
 1 AMP LAMP



- NOTES**
- FURNISHED UNASSEMBLED
 - TERMINATION WILL ACCEPT CRIMP CONTACT CONFORMING TO M39029/1-10
 - MS 35333-136 OR EQUIVALENT
 - MS 25081-C4 OR EQUIVALENT
 - MS 25082-8 OR EQUIVALENT



SCALE -
 DO NOT SCALE PRINT
 UNLESS OTHERWISE NOTED
 DIMENSIONS ARE IN INCHES
TOLERANCES ARE:
 ONE PLACE .10
 TWO PLACE .001
 THREE PLACE .0005
 ANGLES .5
 WEIGHT