

MICRO SWITCH
 FREEPORT ILLINOIS U.S.A.
 A DIVISION OF HONEYWELL
 FED. MFG. CODE 91929

MICRO SWITCH
 FREEPORT ILLINOIS U.S.A.
 A DIVISION OF HONEYWELL
 FED. MFG. CODE 91929

1TW1 SERIES
 CHART 1

DRAWING NUMBER
 ISSUE
 1
 2
 3
 4
 5
 6
 7
 8
 9
 10
 11
 12

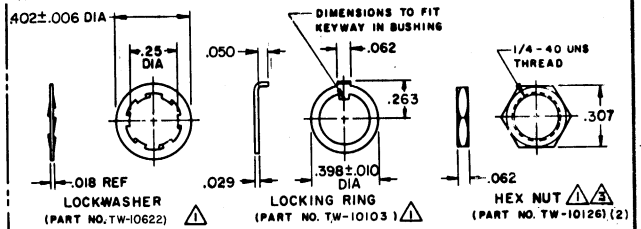
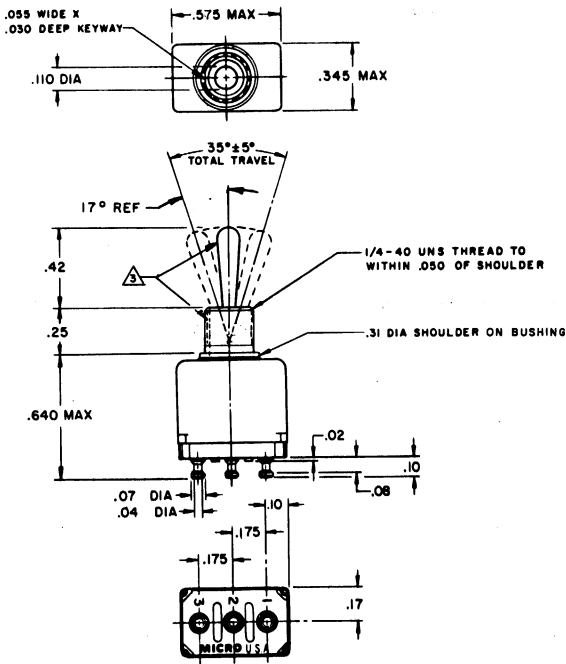
REVISIONS
 A 0057003
 1 FEB 68
 B 0059236
 2 MAR 68
 C 0062939
 1 MAY 68
 D 0077854
 9 FEB 74

CHECK
 TSK 3 FEB 86
 F03585-8
 DRAWN

MICRO SWITCH
 FREEPORT ILLINOIS U.S.A.
 A DIVISION OF HONEYWELL
 FED. MFG. CODE 91929

SWITCH-TOGGLE

CATALOG LISTING
1TW1 SERIES
 CHART 1 ★



| CIRCUIT WITH TOGGLE IN | | | |
|------------------------|-----------------------------------|-----------------|---|
| CATALOG LISTING | ONE EXTREME POSITION (KEYWAY) 2-1 | CENTER POSITION | OTHER EXTREME POSITION (OPPOSITE KEYWAY) 2-3 MS NO. |
| 1TW1-1 | ON | OFF | ON MS27716-21-1 |
| 1TW1-2 | OFF | NONE | ON MS27716-22-1 |
| ★ 1TW1-3 | ON | NONE | ON MS27716-23-1 |
| 1TW1-5 | MOM ON | OFF | ON MS27716-31-1 |
| ★ 1TW1-7 | MOM ON | OFF | MOM ON MS27716-27-1 |
| 1TW1-8 | MOM ON | NONE | ON MS27716-26-1 |
| 1TW1-82 | ON | NONE | MOM ON |

NOTES
 1 FURNISHED UNASSEMBLED
 2 TERMINALS ARE PLATED FOR SOLDERING
 3 MATTE FINISH

THIS DRAWING COVERS A PROPRIETARY ITEM AND IS THE PROPERTY OF MICRO SWITCH, A DIVISION OF HONEYWELL. THIS DRAWING IS NOT TO BE COPIED OR USED WITHOUT THE APPROVAL OF MICRO SWITCH.

| CHARACTERISTICS | ELECTRICAL DATA | SCALE 2:1 |
|-----------------|---|---|
| | CONTACT ARRANGEMENT L117 5A 125 VAC | DO NOT SCALE PRINT TOLERANCES DIMENSIONS UNLESS OTHERWISE SPECIFIED ARE IN INCHES UNLESS NOTED OTHERWISE ARE IN MILLIMETERS NO. PLACES PER PLACES TOLERANCE PLACES ANGLES DESIGN UNITS THIRD ANGLE PROJECTION WEIGHT .015 LB MAX |