

LITHIUM - Coin Type: High Operating Temperature

Panasonic's coin type high operating temperature lithium batteries are high energy, high reliability batteries for applications that require a wider operating temperature range. The full 3 volts in these high energy density batteries is about twice that of conventional dry batteries.



These batteries are for applications exposed to extended temperature ranges and harsh operating conditions.

Features:

- A wide operational temperature range: -40°C (-40°F) ~ 125°C (257°F)
- Good storage stability (max. 0.5% loss at ambient T°)
- Constant operating voltage
- Excellent leakage resistance
- Available with tab terminals for PCB mounting

Applications:

- Automotive electric systems
- Tollway transponders
- RFID

Technical Data - High Temperature Coin Cell

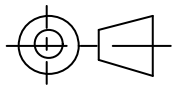
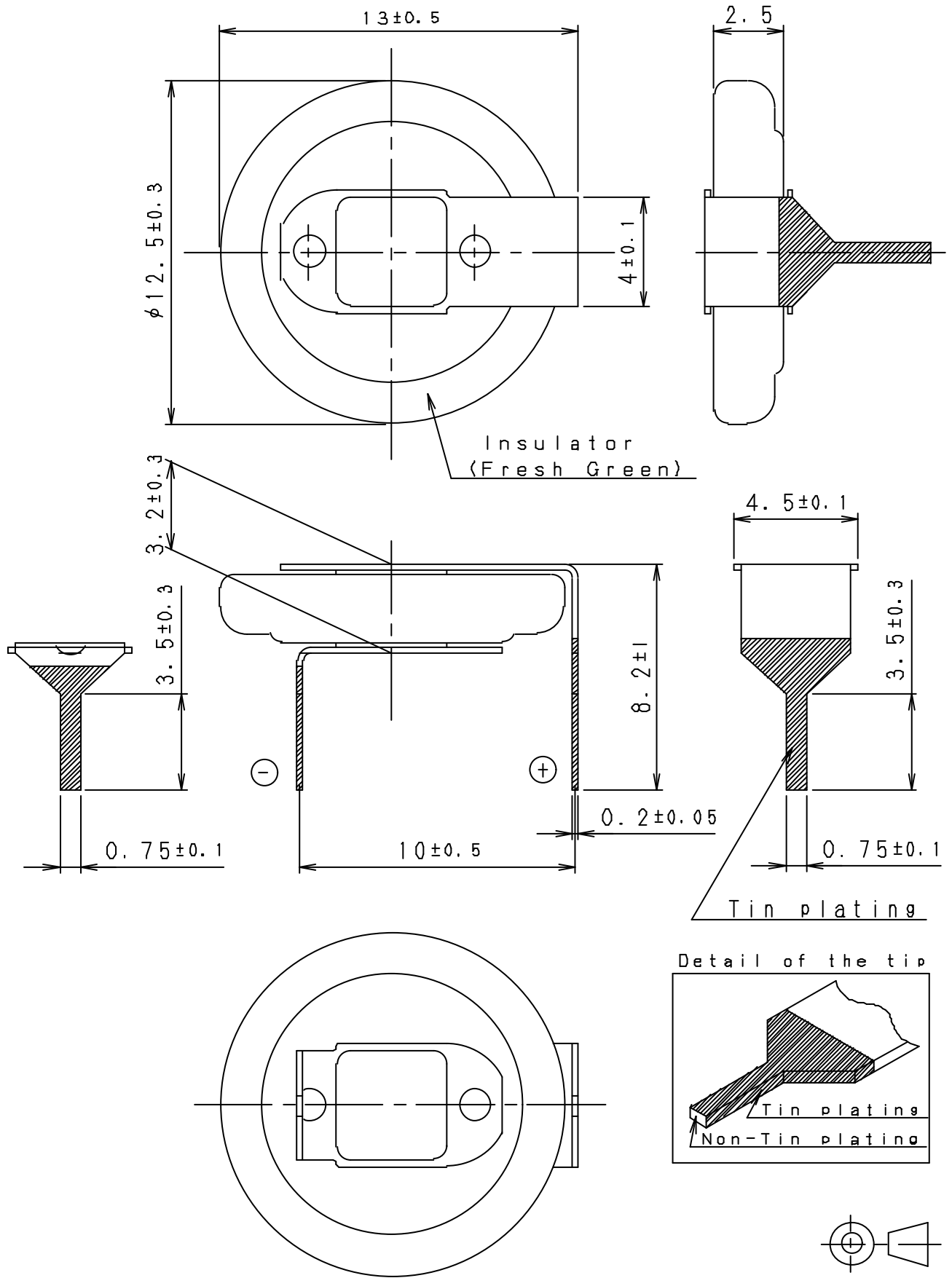
Model Number	Nominal Voltage (V)	Nominal Capacity (mAh)	Dimensions (mm)		Basic Battery Weight (g)	Tab Configurations
			External Diameter	Height		
BR1225A	3	48	12.5	2.5	0.8	
BR1632A	3	120	16.0	3.2	1.5	
BR2330A	3	255	23.0	3.0	3.2	
BR2450A ¹	3	550	24.5	5.0	5.0	

BR2477A	3	1000	24.5	7.7	8.0
-------------------------	---	------	------	-----	-----

1. Please contact Panasonic for the latest information on this model.

Technical Data - Table 2 - Tab Configurations and Distributor Inventory

Model No.	Tab Description Drawing	
BR1225A/FA	2 Pin, flat mount (with insulation wrap)	
BR1225A/HB	2 Pin, horizontal mount, through holes, (with insulation wrap)	
BR1632A/FA	2 Pin, flat mount (with insulation wrap)	
BR1632A/GA	3 Pin, horizontal mount, through hole, (w/o insulation wrap)	
BR1632A/HA	2 Pin, horizontal mount , through hole, (with insulation wrap)	
BR1632A/VA	2 Pin, vertical mount , through hole, (with insulation wrap)	
BR2330A/FA	2 Pin, flat mount (with insulation wrap)	
BR2330A/GA	3 Pin, horizontal mount, through hole, (w/o insulation wrap)	
BR2330A/HD	2 Pin, horizontal mount , through hole, (with insulation wrap)	
BR2330A/VA	2 Pin, vertical mount, through hole, (with insulation wrap)	
BR2477A/FB	2 Pin, flat mount, (with insulation wrap)	
BR2477A/GA	3 Pin, horizontal mount, through hole, (with insulation wrap)	
BR2477A/HB	2 Pin, horizontal mount, through hole, (with insulation wrap)	
BR2477A/VA	2 Pin, vertical mount, through hole, (with insulation wrap)	



Unit:mm

Scale	5	Drawn	Designed	Checked	Approved	Name	BR1225A/HB
	1					No.	PS-B12582 (2)