

All Series Marking Options
Single Row Terminal Blocks

Terminal Blocks:
Single & Double Row

Enrolltag Series

Terminal Blocks:
Panel & Rail Mount

Power Distribution
Blocks

Wire Management
Products

Edge Connectors,
One-Sided Boards

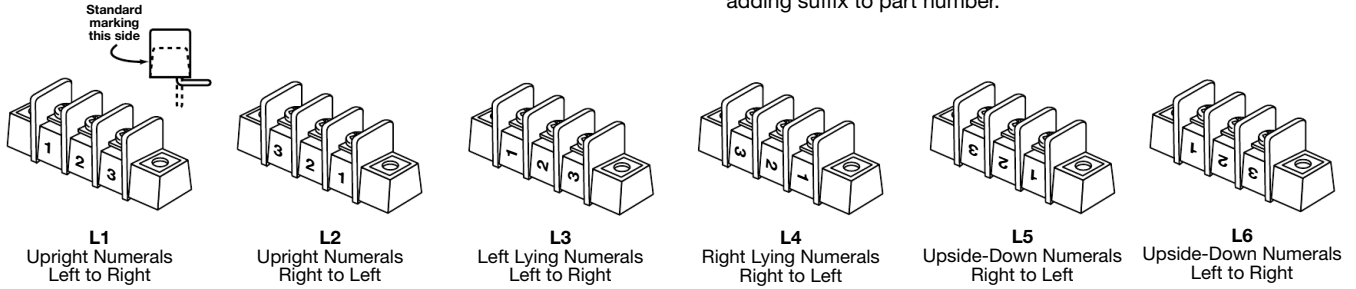
Compliance
References

Marking Options & Accessories

Standard Marking

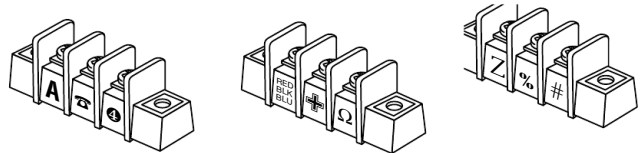
Markings are applied directly to the sides of Series 1000, 2000, 3000, 4000, and 5000. Standard characters are white and 1/8" high. Factory may substitute 3/32" high characters.

Blocks to be marked on both sides require a different code for each side. Example: "L1" on one side of the block requires "L2" on the other side to ensure common terminal marking. Specify by adding suffix to part number.



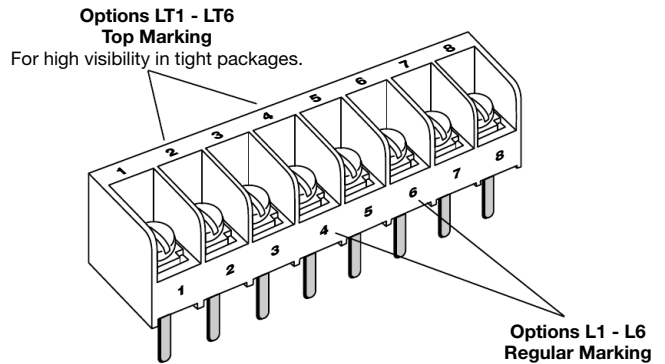
Special Marking

Special markings are available upon request at an additional charge for preparation. Production charges for setup, handling and marking are the same as for standard marking and the same quantity discounts apply. Consult factory for price and delivery.



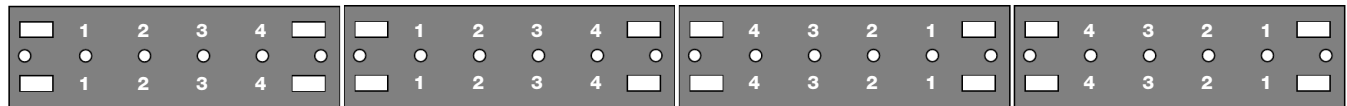
Closed Barrier Terminal Block Marking Options for (CB1000, CB2000 and CB3000)

- L1 & LT1 = Upright numerals, numbered from left to right
- L2 & LT2 = Upright numerals, numbered from right to left
- L3 = Left lying numerals, numbered from left to right
- L4 = Right lying numerals, numbered from right to left
- L5 & LT5 = Upside down numerals, numbered from right to left
- L6 & LT6 = Upside down numerals, numbered from left to right



Marker Strips

Black marker strips with white numerals mount beneath the terminal blocks to clearly identify terminal and wire positions. Available with forward or reverse markings, top or bottom of strip. If special markings are required, submit a drawing.



Series	Base	Poles	Marking
MS1 - 1000 Series MS2 - 2000 Series MS3 - 3000 Series	1 - mount end, feed thru 2 - barrier end, feed thru 3 - mount end, insulator tubes 4 - barrier end, insulator tubes 5 - mount end, non feed-thru	02 to 36	BF - bottom forward TF - top forward BR - bottom reverse TR - top reverse