

MICRO SWITCH
A DIVISION OF MILWAUKEE-HONEYWELL REGULATOR COMPANY
FREEPORT, ILLINOIS
FED. MFR. CODE 91929

PACKET

(M) SKETCH I6890
ISSUE 1

12 PA 4

M

DRAWING NUMBER

X

ISSUE

3

REPLACES
RELEASE NO. SR 9325

REVISIONS

A	CO56164	J A P	6 MAR 86
B	CO59134	K E W	15 APR 86

CHECK

29 July 57

BLS

CHECK

14 NOV 60

CHECK

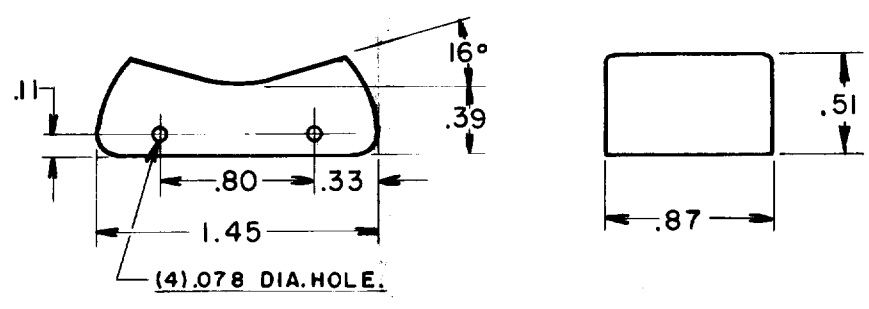
14 NOV 60

CHECK

29 JULY 57

CHECK

R. G. C.



NOTE—
1—MATERIAL— CLEAR ACRYLIC.

THIS DRAWING COVERS A PROPRIETARY ITEM AND IS THE PROPERTY OF MICRO SWITCH. A DIVISION OF HONEYWELL. THIS DRAWING IS NOT TO BE COPIED OR USED WITHOUT THE APPROVAL OF MICRO SWITCH.

CHARACTERISTICS	ELECTRICAL DATA		SCALE FULL
	CONTACT ARRANGEMENT	BREAK DISTANCE	DO NOT SCALE PRINT
			UNLESS OTHERWISE SPECIFIED DIMENSIONS ARE IN INCHES TOLERANCES ARE: ONE PLACE (.0) ±.030 TWO PLACE (.00) ±.015 THREE PLACE (.000) ±.008 ANGLES ±
			WEIGHT