

## Patch cable - VS-04-2X2X26C7/7-67B/SDA/5,0 - 1653922

Please be informed that the data shown in this PDF Document is generated from our Online Catalog. Please find the complete data in the user's documentation. Our General Terms of Use for Downloads are valid (<http://phoenixcontact.com/download>)



Assembled USB cable, shielded, color: RAL 5021 (water blue), PUR outer sheath, USB type B/IP67 on USB type A/standard, length: 5 m



### Key Commercial Data

Packing unit	1 STK
GTIN	 4 017918 970253
GTIN	4017918970253
Weight per Piece (excluding packing)	376.200 g
Custom tariff number	85444290
Country of origin	Germany

### Technical data

#### Dimensions

Length of cable	5 m
-----------------	-----

#### Ambient conditions

Degree of protection	IP20
	IP67
Ambient temperature (operation)	-20 °C ... 60 °C (cable, fixed installation)

#### General data

Number of positions	4
Signal type/category	USB 2.0
Degree of pollution	2
	2

# Patch cable - VS-04-2X2X26C7/7-67B/SDA/5,0 - 1653922

## Technical data

### General data

Alternative short product description	USB cable
Rated voltage (III/3)	125 V

### Characteristics head 1

Head type	Plug straight USB type B
No. of positions (pin connector pattern)	4

### Characteristics head 2

Head type	Plug straight USB type A
No. of positions (pin connector pattern)	4

### Cable

Cable type	FireWire
Cable type (abbreviation)	980
Signal type/category	USB CAT7, 480 Mbps
	FireWire CAT7, 400 Mbps
Cable structure	2x2xAWG26/7 + 2xAWG20/19; S/FTP
Conductor cross section	2x 2x 0.14 mm <sup>2</sup> (Signal line)
	2x 0.5 mm <sup>2</sup> (Power supply)
AWG signal line	26
AWG power supply	20
Conductor structure signal line	7x 0.15 mm
Conductor structure, voltage supply	19x 0.20 mm
Core diameter including insulation	≤ 1.05 mm (Signal line)
	nom. 1.4 mm (Power supply)
Wire colors	White-blue, white-orange, white, black
Twisted pairs	2 cores to the pair
Type of pair shielding	Aluminum-lined polyester foil
Overall twist	Two pairs and two power supply wires to the core
Shielding	Tinned copper braided shield
External sheath, color	water blue RAL 5021
External cable diameter D	6.7 mm
Minimum bending radius, fixed installation	5 x D
Minimum bending radius, flexible installation	5 x D
Tensile strength short-term/long-term	≤ 30 N
Cable weight	59 kg/km
Outer sheath, material	PUR
Material conductor insulation	Cell PE (Signal line)
	PVC (Power supply)

# Patch cable - VS-04-2X2X26C7/7-67B/SDA/5,0 - 1653922

## Technical data

### Cable

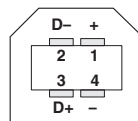
Conductor material	Bare Cu litz wires
Insulation resistance	5 GΩ*km
Conductor resistance	150 Ω/km
Working capacitance	42 pF (per meter)
Wave impedance	100 Ω ±5 % (at 100 MHz)
Signal speed	0.72 c
Signal runtime	4.6 ns/m
Shield attenuation	60 dB (Up to 1000 MHz)
Interference suppression	90 dB (Up to 1000 MHz)
Coupling resistance	5.00 mΩ/m (At 10 MHz)
Nominal voltage, cable	≤ 125 V
Test voltage, cable	1000 V
Special properties	Free of substances which would hinder coating with paint or varnish
Flame resistance	complying with IEC 60332-2-2
Resistance to oil	according to EN 60811-2-1
Other resistance	Microbe resistance as per DIN VDE 0282
	Hydrolysis resistance as per DIN 53504
Ambient temperature (operation)	-40 °C ... 70 °C (cable, fixed installation)
	-10 °C ... 50 °C (cable, flexible installation)

### Environmental Product Compliance

China RoHS	Environmentally friendly use period: unlimited = EFUP-e
	No hazardous substances above threshold values

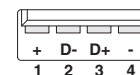
## Drawings

Schematic diagram



Plug pin assignment plug USB, type B

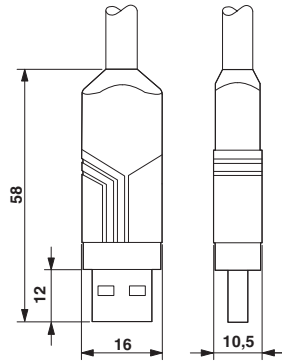
Schematic diagram



Pin assignment plug USB, type A

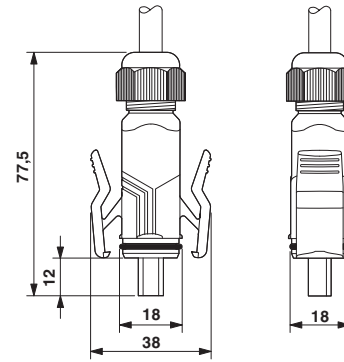
# Patch cable - VS-04-2X2X26C7/7-67B/SDA/5,0 - 1653922

Dimensional drawing



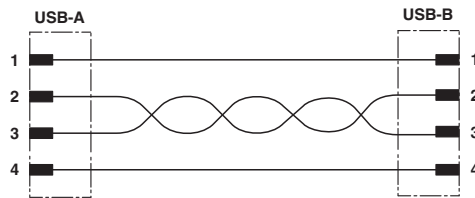
USB connector, type A, Standard

Dimensional drawing



USB connector, type B, IP67

Circuit diagram



## Classifications

### eCl@ss

eCl@ss 4.0	27140816
eCl@ss 4.1	27260701
eCl@ss 5.0	27260701
eCl@ss 5.1	27260701
eCl@ss 6.0	27279218
eCl@ss 7.0	27279218
eCl@ss 8.0	27060390
eCl@ss 9.0	27060390

### ETIM

ETIM 2.0	EC000830
ETIM 3.0	EC001855
ETIM 4.0	EC001855
ETIM 5.0	EC001408

# Patch cable - VS-04-2X2X26C7/7-67B/SDA/5,0 - 1653922

## Classifications

### UNSPSC

UNSPSC 6.01	31261501
UNSPSC 7.0901	31261501
UNSPSC 11	31261501
UNSPSC 12.01	31261501
UNSPSC 13.2	26121604

## Approvals

### Approvals

---

### Approvals

### EAC

---

### Ex Approvals

---

### Approval details

EAC		B.00767
-----	--	---------

## Accessories

### Accessories

### Protective cover

Protective covers - VS-SCRJ-PC - 1653757



IP67 protective cover, for covering the male inserts in the sleeve housings IP67, VS-SC-RJ-..., VS-04-..., VS-06-... and VS-08-...