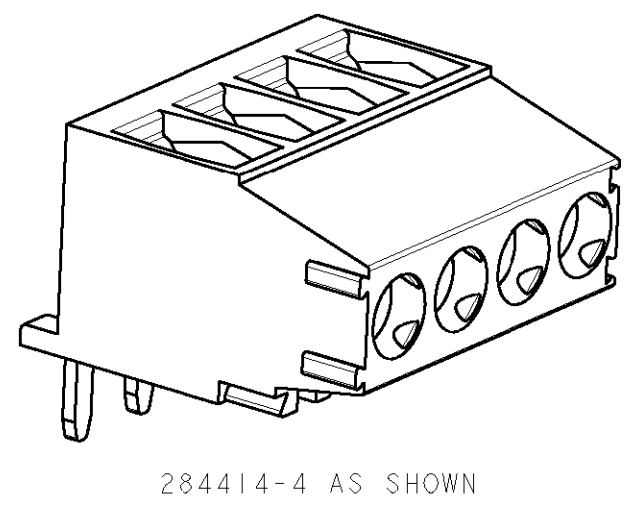
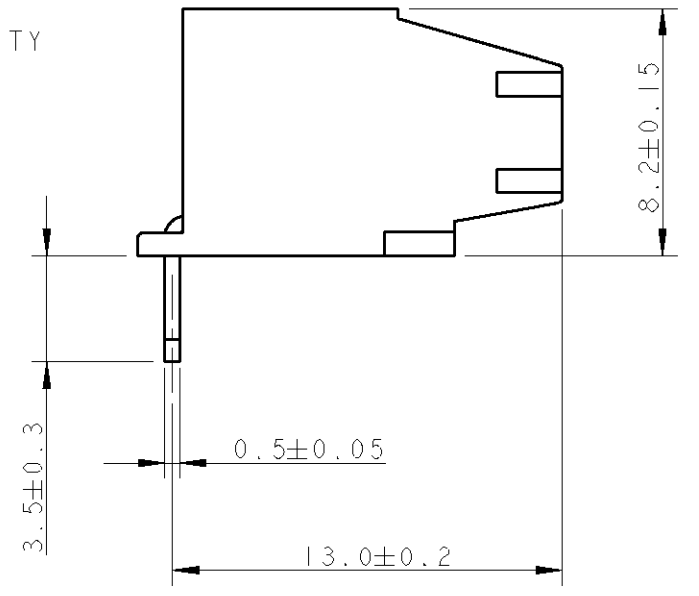
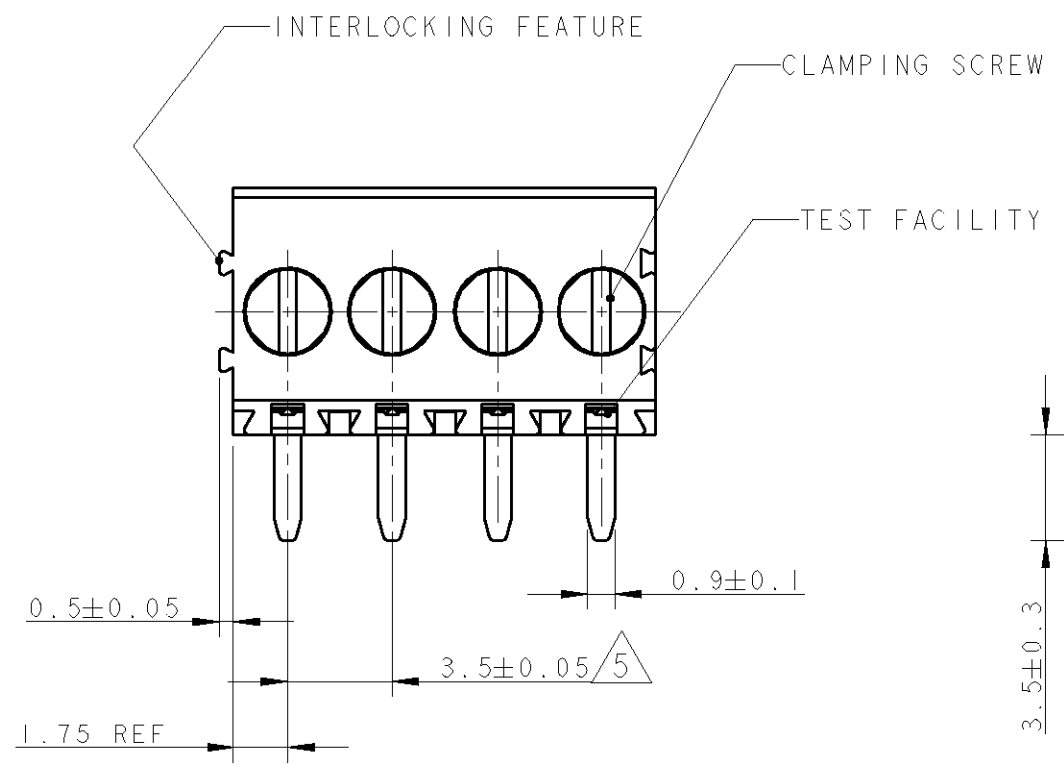
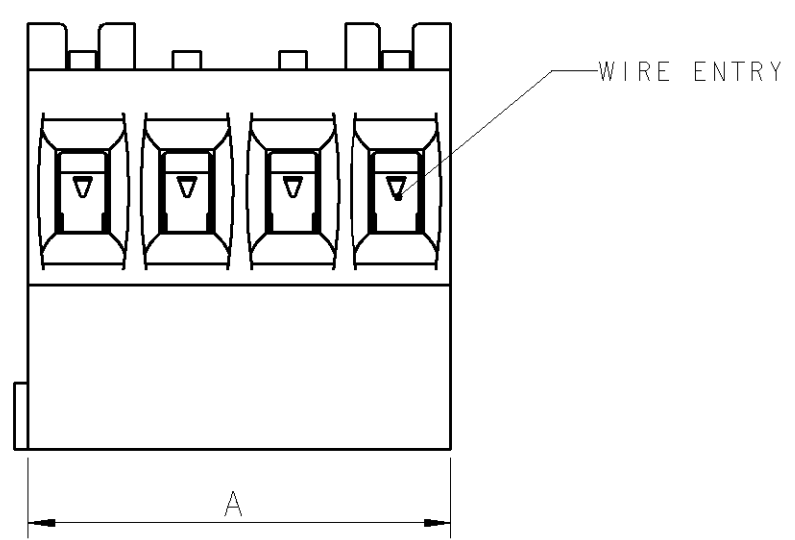


THIS DRAWING IS UNPUBLISHED. RELEASED FOR PUBLICATION 20
 © COPYRIGHT 20 BY TYCO ELECTRONICS CORPORATION. ALL RIGHTS RESERVED.

| LOC | DIST | REVISIONS | | | |
|-----|------|-------------|--------------------------|-----------|-------|
| P | LTR | DESCRIPTION | DATE | DWN | APVD |
| FT | 0 | B | REVISED PER 0G3B-0119-01 | 01FEB2002 | EZ DB |

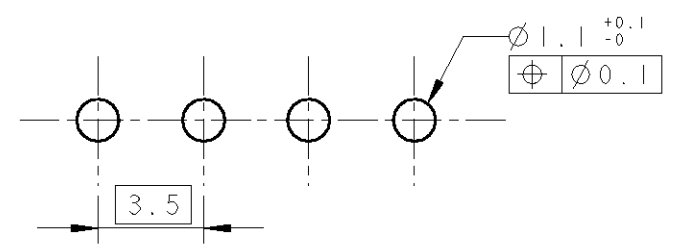


| | | |
|---------|-----------|-------------|
| 87.5 | 25 | 2-284414-5 |
| 84.0 | 24 | 2-284414-4 |
| 80.5 | 23 | 2-284414-3 |
| 77.0 | 22 | 2-284414-2 |
| 73.5 | 21 | 2-284414-1 |
| 70.0 | 20 | 2-284414-0 |
| 66.5 | 19 | 1-284414-9 |
| 63.0 | 18 | 1-284414-8 |
| 59.5 | 17 | 1-284414-7 |
| 56.0 | 16 | 1-284414-6 |
| 52.5 | 15 | 1-284414-5 |
| 49.0 | 14 | 1-284414-4 |
| 45.5 | 13 | 1-284414-3 |
| 42.0 | 12 | 1-284414-2 |
| 38.5 | 11 | 1-284414-1 |
| 35.0 | 10 | 1-284414-0 |
| 31.5 | 9 | 284414-9 |
| 28.0 | 8 | 284414-8 |
| 24.5 | 7 | 284414-7 |
| 21.0 | 6 | 284414-6 |
| 17.5 | 5 | 284414-5 |
| 14.0 | 4 | 284414-4 |
| 10.5 | 3 | 284414-3 |
| 7.0 | 2 | 284414-2 |
| DIM "A" | NO OF POS | PART NUMBER |



- 1 MATERIALS AND FINISH
 HOUSING : PA 6.6, UL 94-V0, COLOR GREEN.
 CLAMP : BRASS, NICKEL PLATED
 TERMINAL : BRASS, TIN PLATED
 CLAMPING SCREW : M3, BRASS, NICKEL PLATED
- 2 SUITABLE FOR 1.6-2.4 mm. PC BOARD THICKNESS.
- 3 END-TO-END STACKABLE W/INTERLOCK WITHOUT LOSS OF CENTERLINE SPACING
- 4 WIRE SIZE RANGE
 12 - 30 AWG
- 5 NOT CUMULATIVE TOLERANCE

RECOMMENDED PCB BOARD LAYOUT



| | | | | | |
|---|--|--|--|---|--|
| <small>THIS DRAWING IS A CONTROLLED DOCUMENT FOR TYCO ELECTRONICS CORPORATION IT IS SUBJECT TO CHANGE AND THE CONTROLLING ENGINEERING ORGANIZATION SHOULD BE CONTACTED FOR THE LATEST REVISION.</small> | | DWN 01FEB2002 E. ZANOLINI CHK 01FEB2002 E. ZANOLINI APVD 01FEB2002 D. BIEVENOUR | | BUCHANAN Tyco Electronics Harrisburg, PA 17105-3608 | |
| DIMENSIONS: mm | | TOLERANCES UNLESS OTHERWISE SPECIFIED: 0 PLC ±- 1 PLC ±.3 2 PLC ±.25 3 PLC ±- 4 PLC ±- ANGLES ±2 | | NAME TERMINAL BLOCK PCB MOUNT, 90° TOP ENTRY WIRE, STACKING W/INTERLOCK, 3.5mm PITCH | |
| MATERIAL | | FINISH | | PRODUCT SPEC 108-20166 APPLICATION SPEC 114-20079 WEIGHT - | |
| CUSTOMER DRAWING | | | | SIZE A3 CAGE CODE 00779 DRAWING NO C-284414 RESTRICTED TO - | |
| SCALE 4:1 | | | | SHEET 1 OF 1 REV B | |