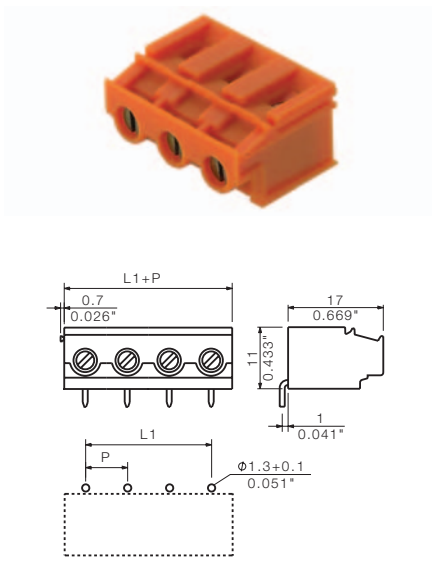
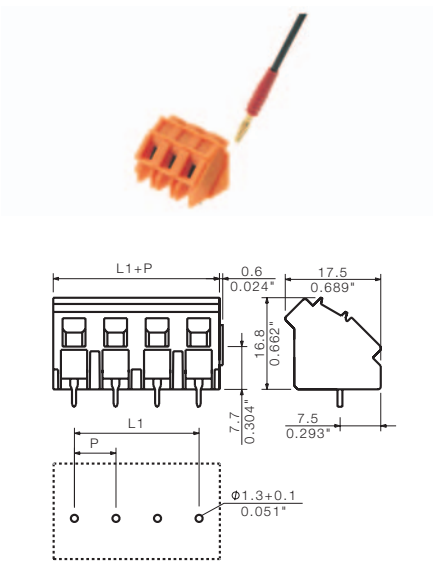


# Clamping yoke connection

LP 7.50/135  
LP 7.62/135

LP 7.50/180  
LP 7.62/180

## Accessories



## Marking system

See page L.25



## Test plug

See page L.6



## Screwdriver

See page L.22  
Part no. 9008390000



## Ordering data

Solder pin length	3.2 mm
Colour	orange

### Pitch 7.50 mm

Poles	L1 mm (inch)	Qty.	Order no.	Order no.
2	7.50 (0.295)	100		1595770000
3	15.00 (0.591)	100		1595810000

## Ordering data

Solder pin length	3.2 mm
Colour	orange

### Pitch 7.50 mm

Poles	L1 mm (inch)	Qty.	Order no.	Order no.
2	7.50 (0.295)	100		1761370000
3	15.00 (0.591)	100		1761380000

### Pitch 7.62 mm

Poles	L1 mm (inch)	Qty.	Order no.	Order no.
2	7.62 (0.300)	100		1595790000
3	15.24 (0.600)	100		1595830000

### Pitch 7.62 mm

Poles	L1 mm (inch)	Qty.	Order no.	Order no.
2	7.62 (0.300)	100		1753890000
3	15.24 (0.600)	100		1753900000