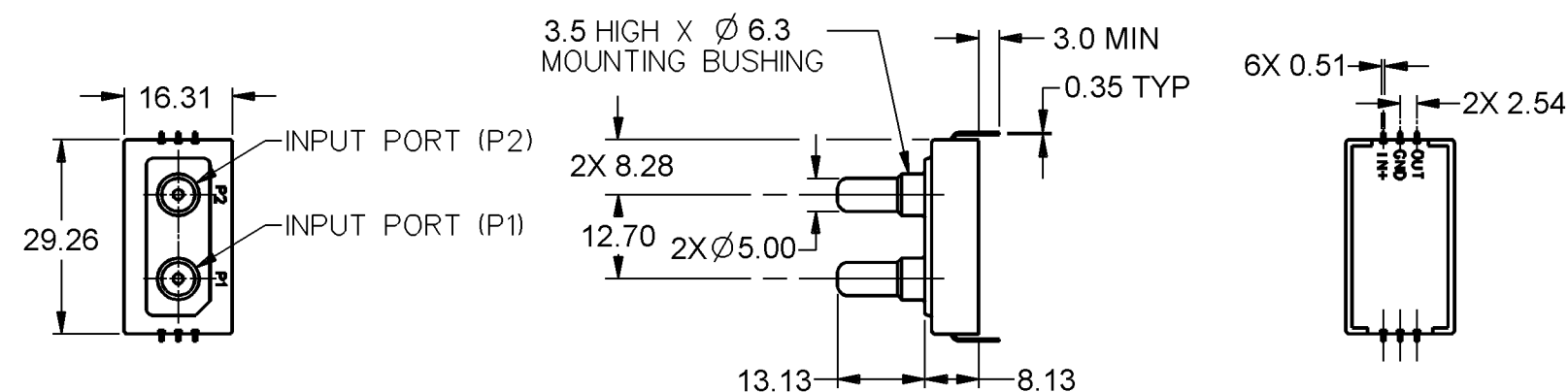


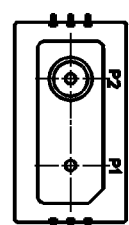
M 180PC05 SERIES CHART 1

CATALOG LISTING	TYPE	OPERATING PRESSURE RANGE
184PC05GX	G	0 TO +5 PSIG
185PC05DX	D	0 TO +5 PSID
186PC05DX	D	-5 TO +5 PSID

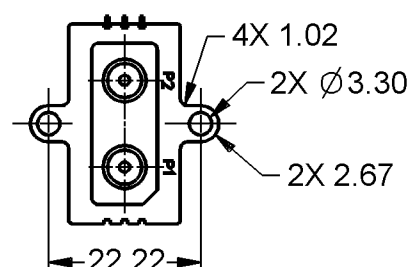
MOUNTING TYPE
T = TERMINAL
H = HOUSING



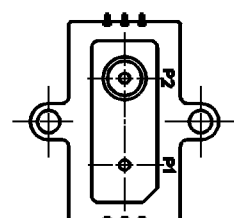
TYPE "D" (DIFFERENTIAL)
MOUNTING TYPE = "T"



TYPE "G" (GAGE)
MOUNTING TYPE = "T"



TYPE "D" (DIFFERENTIAL)
MOUNTING TYPE = "H"



TYPE "G" (GAGE)
MOUNTING TYPE = "H"

GENERAL OPERATING CHARACTERISTICS	
PRESSURE RANGE	0 TO 259mm Hg (0 TO 5 PSI)
OVERPRESSURE	1035mm Hg (20 PSI)
TEMPERATURE RANGES	STORAGE -55 TO +125°C OPERATE -40 TO +85°C COMPENSATED 0 TO +50°C
SUPPLY VOLTAGE	7 TO 16 VDC
SUPPLY CURRENT	6mA MAX WITH 10K LOAD
OUTPUT VOLTAGE	PROPORTIONAL TO SUPPLY VOLTAGE OVER ABOVE RECOMMENDED RANGE
SHORT CIRCUIT LIMIT	MAY BE SHORTED INDEFINITELY
OUTPUT RIPPLE	NONE
GROUND REFERENCE	SUPPLY AND OUTPUT ARE COMMON

ELECTRICAL PERFORMANCE AT 25°C AND 8.00 ± 0.01 VDC SUPPLY	
OUTPUT VOLTAGE	
184PC05G	
NULL (0 PSIG)	1.00 ± 0.05 VDC
FULL SCALE (5 PSIG [259mmHg])	6.00 VDC (TYP) (P2 < P1)
F.S.O. Δ	5.00 ± 0.05 VDC (P2 < P1)
185PC05D	
NULL (0 PSIG)	1.00 ± 0.05 VDC
FULL SCALE (5 PSIG [259mmHg])	6.00 VDC (TYP) (P2 > P1)
F.S.O. Δ	5.00 ± 0.05 VDC (P2 > P1)
186PC05D	
NULL (0 PSIG)	3.50 ± 0.05 VDC
FULL SCALE (5 PSIG)	6.00 VDC (TYP) (P2 > P1)
OUTPUT (5 PSIG)	1.00 ± 0.20 VDC (P2 < P1)
F.S.O. Δ	5.00 VDC TYP
SENSITIVITY	19.33mV/mmHg (1.0V/PSI)
LINEARITY (%F.S.O.) Δ (BFSL)	±1.0 MAX (P2 < P1) ±2.0 MAX (P2 > P1)
HYSTERESIS & REPEATABILITY (%F.S.O.) Δ	±0.25 TYP
TEMPERATURE ERROR (%F.S.O.) Δ 0°C < 25°C > 50°C	±2.0 MAX
RESPONSE TIME	1mSEC MAX

NOTES

- INPUT MEDIA :
P1 - DRY GASES ONLY: CONNECTION SIDE OF SENSOR
P2 - LIMITED ONLY TO THOSE MEDIA THAT WILL NOT ATTACK POLYESTER, SILICON, OR SILICONE BASED ADHESIVE
- TERMINALS ARE PLATED FOR SOLDERING
- LIMIT SOLDERING TO 315°C MAX FOR 10 SECONDS
- UNITS ARE OF PLASTIC CONSTRUCTION
- Δ F.S.O. IS THE ALGEBRAIC DIFFERENCE BETWEEN THE OUTPUT END POINTS (NULL AND FULL PRESSURE)
- FOR MOUNTING TYPE "T" DEVICES EXPOSED TO HIGH VIBRATION LEVELS, AS AN ADDED PROTECTION MEASURE, IT IS RECOMMENDED THAT AN ADHESIVE FOAM SECURE THE TRANSDUCER TO THE SUPPORTING STRUCTURE

THIRD ANGLE PROJECTION	
SCALE	FULL
DO NOT SCALE PRINT	
UNLESS OTHERWISE SPECIFIED TOLERANCES ARE	
ONE PLACE (.0)	±0.76
TWO PLACES (.00)	±0.38
THREE PLACES (.000)	±0.15
ANGLES	±
WEIGHT	7 GRAMS

THIS DRAWING COVERS A PROPRIETARY ITEM AND IS THE PROPERTY OF MICRO SWITCH, A DIVISION OF HONEYWELL. THIS DRAWING IS NOT TO BE COPIED OR USED WITHOUT THE APPROVAL OF MICRO SWITCH.	
MICRO SWITCH a Honeywell Division	PRESSURE TRANSDUCER
CATALOG LISTING	180PC05 SERIES CHART 1
(8.00VDC SUPPLY EXCITATION)	

MASTER REDUCED
ANSI Y14.5M-1982 APPLIES

DDM/CAD DRAWN TMM 7NOV88 CHECK JAS 15NOV88
 180PC05 SERIES CHART 1
 DRAWING NUMBER 5
 ISSUE 5
 REVISIONS
 A PR17210 WJM 18 APR 89
 B C065871 M 13 JUN 89
 C C070150 JAF 1 SEP 93
 D 0064547 NR 19 MAY 10
 CHECK RS 19 MAY 10
 CHECK JAS 15NOV88
 CHECK NR 19 MAY 10
 RELEASE NO. PR-16806 REPLACES

Mouser Electronics

Authorized Distributor

Click to View Pricing, Inventory, Delivery & Lifecycle Information:

[Honeywell:](#)

[185PC05DT](#)