



### 1SX48-T



*Actual product appearance may vary.*

**SX Series Subminiature Basic Switch, Single Pole Double Throw (SPDT), 250 Vac, 7 A, Pin Plunger Actuator, Solder Termination**

#### Features

- Long operating life
- Elongated mounting hole for easier, more accurate mounting
- Choice of actuation (plunger, as well as a variety of integral and auxiliary actuators)
- Choice of electrical termination (solder, quick connect, PCB)
- Choice of operating characteristics
- Optional series constructions available (gold contacts for low energy switching, bifurcated gold contacts for maximum reliability, power load switching capability to 7 A)
- MIL-PFR-8805 qualified listings available

#### Potential Applications

- Aerospace
- Appliances
- Vending machines
- Timing devices
- Office equipment
- Computer/business equipment
- Test instruments
- Medical/dental equipment
- Communications equipment
- HVAC equipment
- Manually operated devices
- Valves

#### Description

MICRO SWITCH™ SX Series subminiature basic switches are used for simple or precision on/off application needs. They are small, precision snap-action switches that are ideal where savings in space and weight are important.

Product Specifications	
Switch Type	Subminiature 10,2 mm H x 5,08 mm W x 12,7 mm L [0.4 in H x 0.20 in W x 0.5 in L]
Sealed	No
Ampere Rating	7 A
Circuitry	Single Pole Double Throw (SPDT)
Actuator	Pin Plunger
Termination	Solder
Operating Temperature Range	-53 °C to 121 °C [-65 °F to 250 °F]
Voltage	250 Vac
Approvals	CSA, UL
Contact Type	Silver
Operating Force (O.F.)	1,39 N [5.0 oz] max.

Release Force (R.F.)	0,28 N [1.0 oz] min.
Pretravel (P.T.)	0,5 mm [0.020 in] max.
Overtravel (O.T.)	0,25 mm [0.010 in] min.
Differential Travel (D.T.)	0,13 mm [0.005 in] max.
Operating Position (O.P.)	8,13 mm $\pm$ 0,38 mm [0.320 in $\pm$ 0.015 in]
Housing Material	General Purpose Phenolic
High Temperature	121 °C [250 °F]
CE mark	61058-1
UL File #	E12252
CSA File #	LR41372
Agency Approvals and Standards	1054
Mounting Screw Size	22,1 mm [0.087 in]
Mounting Centers	4,83 mm [0.19 in]
Maximum Tightening Torque	0,22 N m [2.0 in lb]
Weight	1,36 g [0.003 lb]
Package Height	8,89 mm [0.35 in]
Package Width	5,0 mm [0.20 in]
Package Length	12,7 mm [0.50 in]
Recommended For	Most applications
Comment	Turret type solder terminals.
Availability	Global
UNSPSC Code	30211905
UNSPSC Commodity	30211905 Snap switches
Series Name	SX



# MICRO SWITCH

FREEPORT, ILLINOIS, U.S.A.  
A DIVISION OF HONEYWELL

FED. MFG. CODE 91929

# SWITCH-BASIC

CATALOG LISTING

## ISX48-T

PRODUCT CODE

### VDA4300

CATALOG LISTING  
**ISX48-T**

PAGE 1 OF 1

**M**

DRAWING NUMBER

7

ISSUE

8

9

10

11

12

13

14

15

16

17

18

19

20

21

22

23

24

25

26

27

28

29

30

31

32

33

34

35

REPLACES

RELEASE NO. SR-12825

CHECK

04APR05

AK

CHECK

04APR05

AK

CHECK

14 APR 67

LSB

CHECK

14 APR 67

LSB

CHECK

14 APR 67

LSB

CHECK

14 APR 67

LSB

CHECK

14 APR 67

LSB

CHECK

14 APR 67

LSB

CHECK

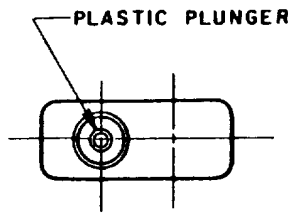
14 APR 67

LSB

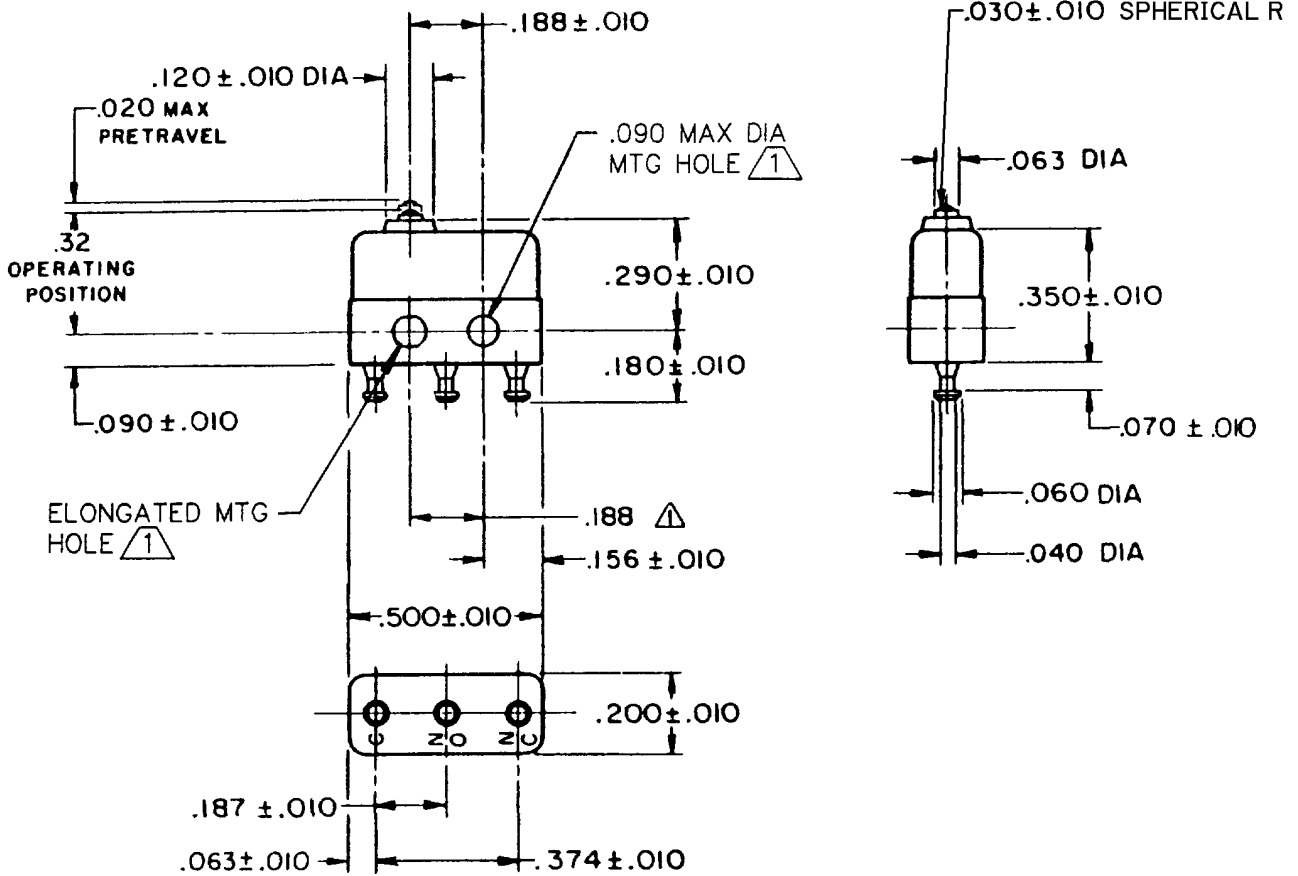
CHECK

14 APR 67

LSB



PLASTIC PLUNGER



ELONGATED MTG HOLE

### NOTE -

- 1 MOUNTING HOLES WILL ACCEPT PINS OR SCREWS OF .087 MAX DIA ON .188 ± .002 CENTERS
- 2 TERMINALS ARE PLATED FOR SOLDERING
- 3 SWITCH WILL WITHSTAND TEMPERATURE OF 250°F
- 4 SWITCH HAS A GREATER OVERTRAVEL THAN STANDARD CONSTRUCTION. ADDITIONAL OVERTRAVEL WILL TEND TO REDUCE MECHANICAL LIFE

THIS DRAWING COVERS A PROPRIETARY ITEM AND IS THE PROPERTY OF MICRO SWITCH, A DIVISION OF HONEYWELL. THIS DRAWING IS NOT TO BE COPIED OR USED WITHOUT THE APPROVAL OF MICRO SWITCH.

### CHARACTERISTICS

OPERATING FORCE — — — 5 OZ MAX

RELEASE FORCE — — — — 1 OZ MIN

DIFFERENTIAL TRAVEL — — — .005 MAX

OVERTRAVEL — — — — .010 MIN

### ELECTRICAL DATA

CONTACT ARRANGEMENT  
S P D T

28 VOLTS DC RATING

INDUCTIVE — SEA LEVEL — — — 4 AMP  
50,000 FT — — — 2.5 AMP

RESISTIVE — SEA LEVEL — — — 7 AMP  
50,000 FT — — — 7 AMP

MAXIMUM INRUSH — — — 24 AMP

SCALE 2 TO 1

DO NOT SCALE PRINT

UNLESS OTHERWISE NOTED

DIMENSIONS ARE IN INCHES

TOLERANCES ARE:

ONE PLACE (.0) ± .030  
TWO PLACE (.00) ± .015  
THREE PLACE (.000) ± .005  
ANGLES ±

WEIGHT .003 LB MAX

APPROVALS

KEMA, CE  
UL, CSA

7A 250V ~ T125 5E4  
7A 250 VAC



BRAND L7

FD-50376 RASTER

DRAWN

M B F 14 APR 67