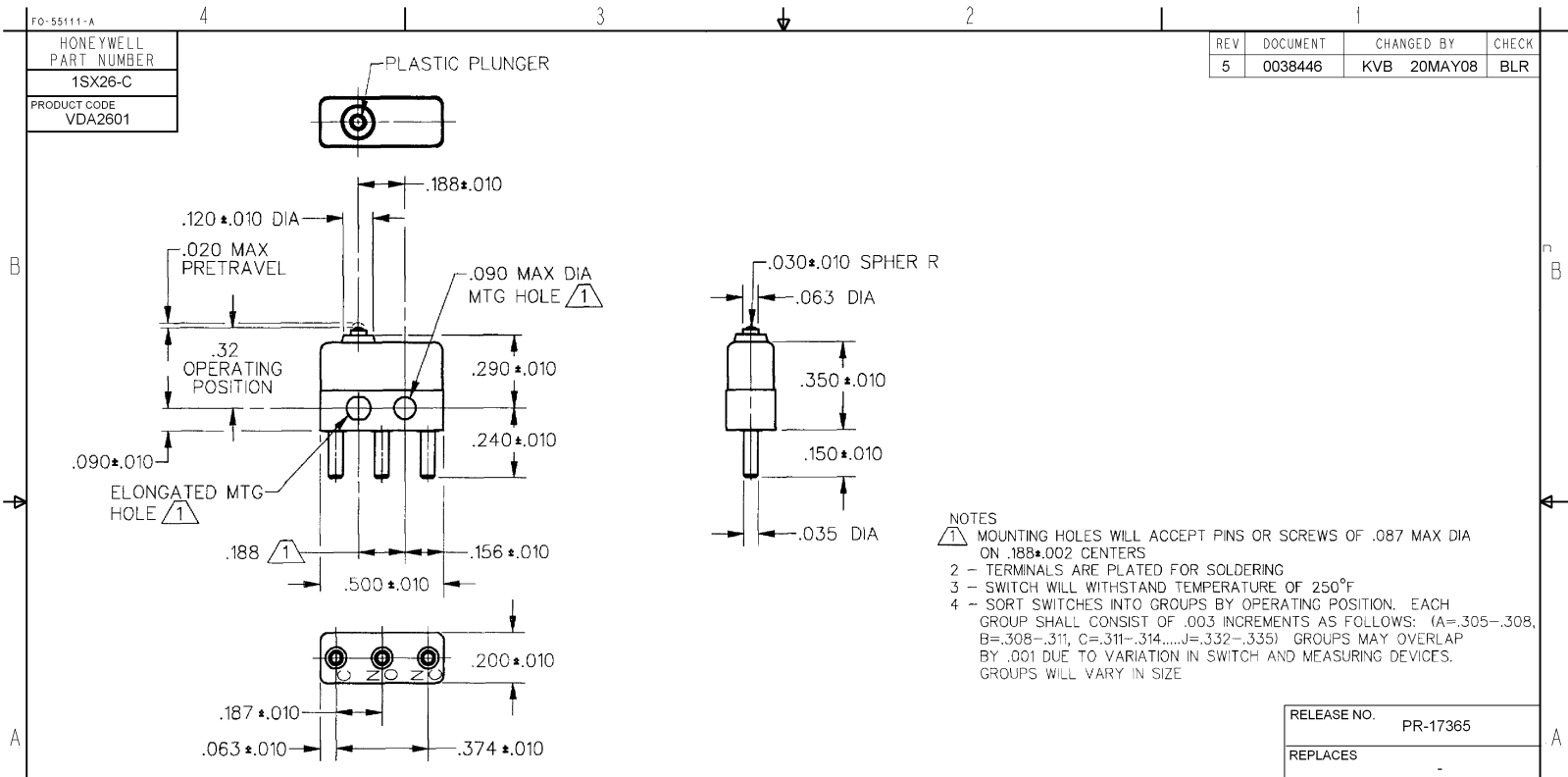


FO-55111-A

HONEYWELL
PART NUMBER
1SX26-C
PRODUCT CODE
VDA2601

REV	DOCUMENT	CHANGED BY	CHECK
5	0038446	KVB 20MAY08	BLR



RELEASE NO. PR-17365
REPLACES -

CHARACTERISTICS	ELECTRICAL DATA		DESIGN UNITS: INCH TOLERANCES UNLESS NOTED:	DRAWN	SPK	30NOV07	
	OPERATING FORCE - - - - 5 OZ MAX	CONTACT ARRANGEMENT S P D T		CHECK	RJ	30NOV07	
RELEASE FORCE - - - - 1 OZ MIN	28 VOLTS DC RATING		NO PLACE .X ±	THIS DRAWING COVERS A PROPRIETARY ITEM AND IS THE PROPERTY OF HONEYWELL. THIS DRAWING IS NOT TO BE COPIED OR USED WITHOUT THE PERMISSION OF HONEYWELL.			TITLE
DIFFERENTIAL TRAVEL - - - .005 MAX	INDUCTIVE	SEA LEVEL 50,000 FT	ONE PLACE .X ±	INTERPRET PER ANSI Y14.5M-1982 OTHER HONEYWELL ENGINEERING STANDARDS MAY APPLY			SIZE
OVERTRAVEL - - - - .004 MIN	RESISTIVE	MAXIMUM INRUSH 24 AMP	TWO PLACE .XX ±	RASTER			TYPE
	APPROVALS		THREE PLACE .XXX ±	DRAWING NAME			REV
	KEMA CE 7A 250V~ T125 5E4		FOUR PLACE .XXXX ±	1SX26-C			
	UL CSA 7A 250 VAC		ANGLES ±	SCALE			SHEET
	THIRD ANGLE PROJECTION			WEIGHT:.003 LB MAX			
				1 OF 1			