

**M** 140PC30 SERIES  
CHART 1

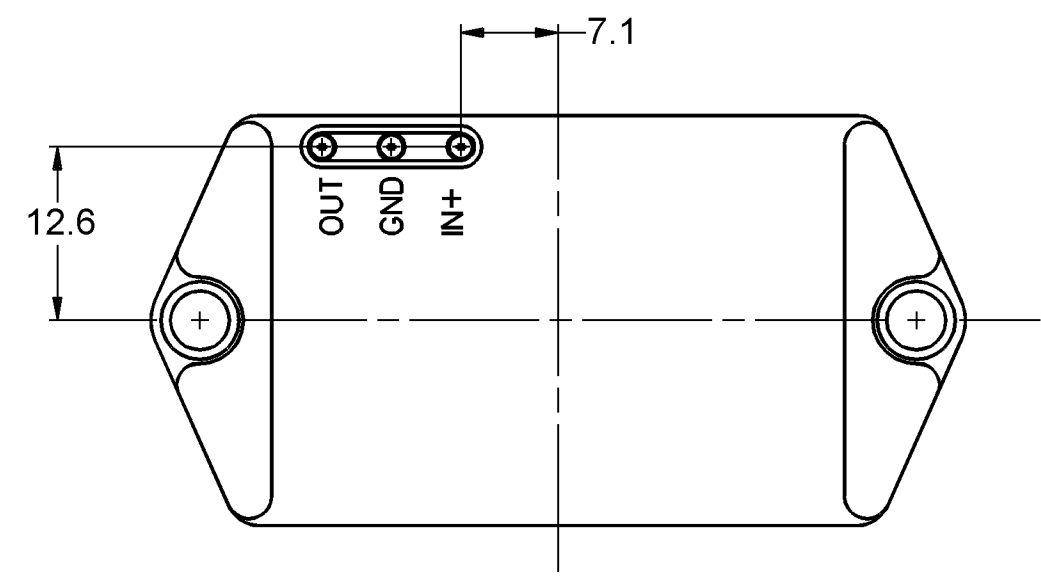
CATALOG LISTING	TYPE	OPERATING PRESSURE RANGE
142PC30A	A	0 TO 30 PSIA
142PC30D	D	0 TO 30 PSID
142PC30G	G	0 TO 30 PSIG

**GENERAL OPERATING CHARACTERISTICS**

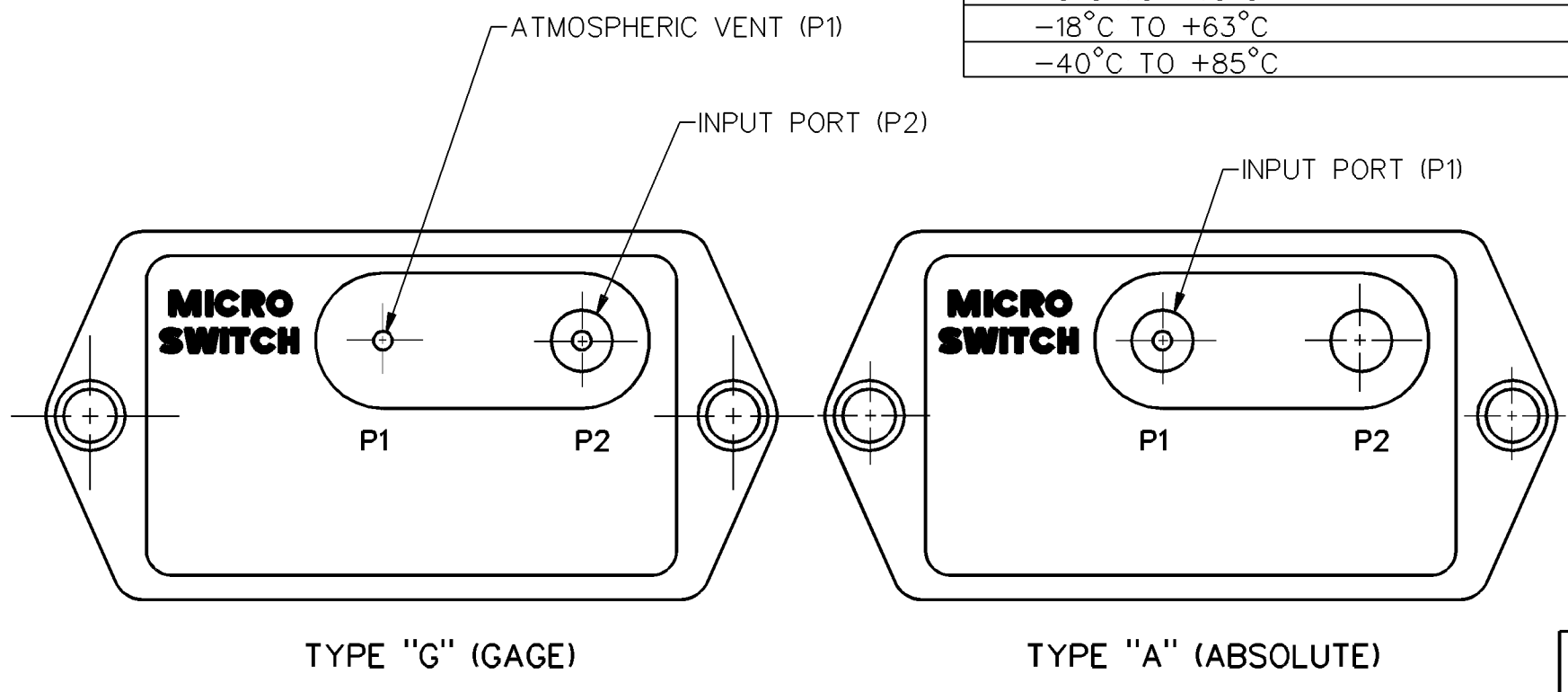
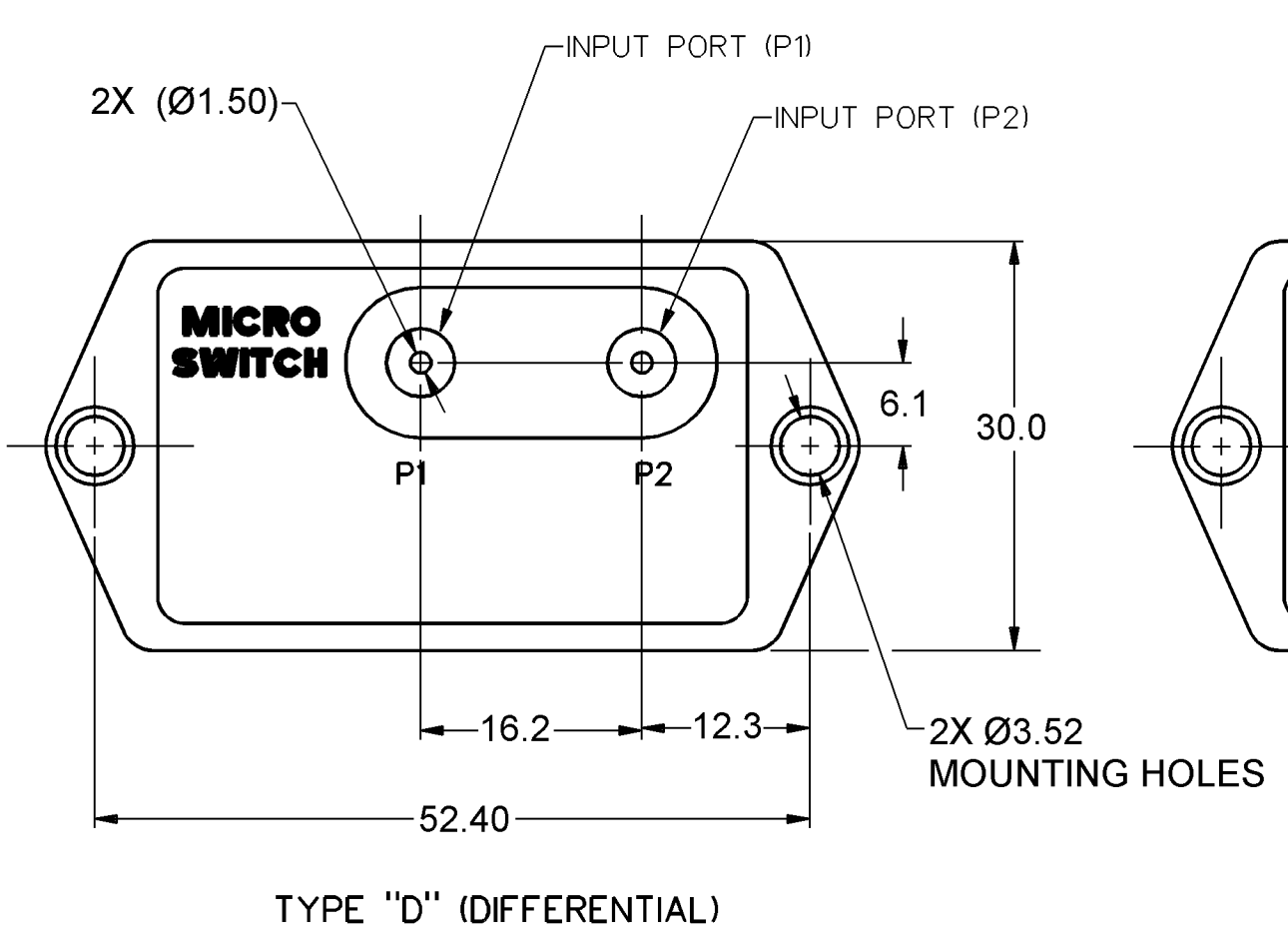
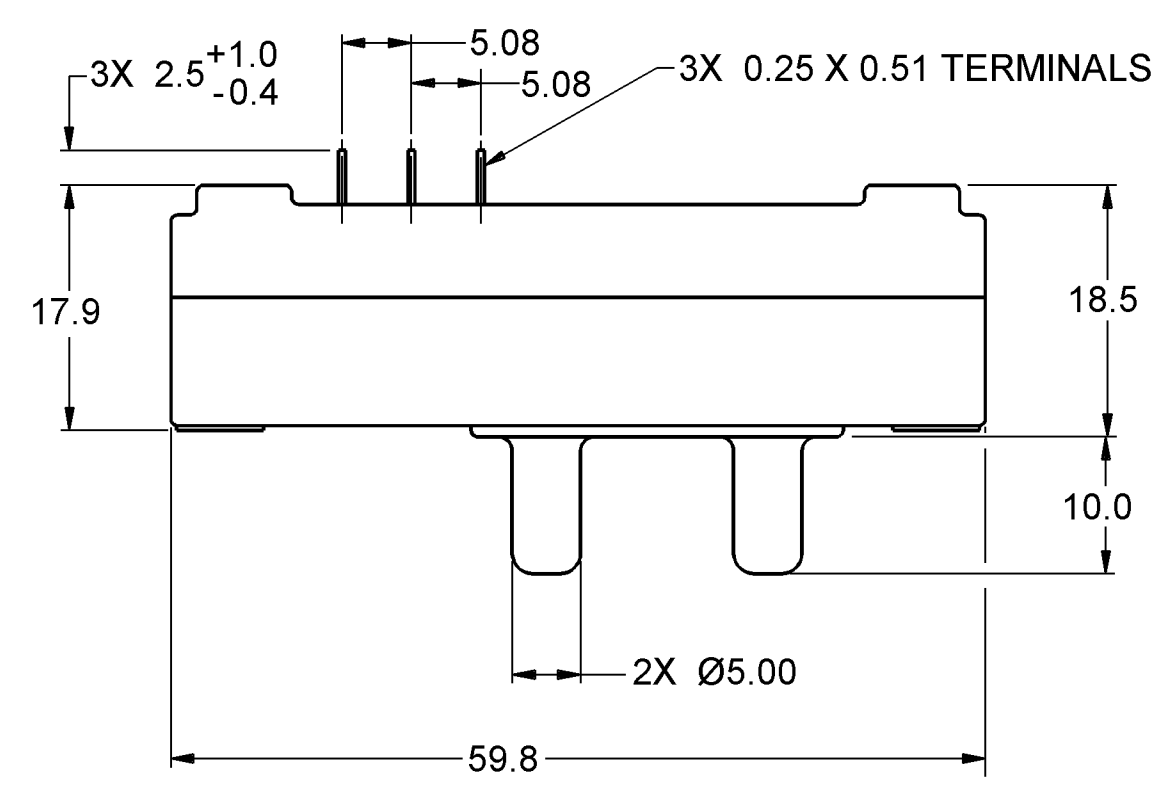
PRESSURE RANGE	0 TO 1550 mmHg (0 TO 30 PSI)
OVERPRESSURE	3100 mmHg (60 PSI)
TEMPERATURE RANGES	
STORAGE	-55°C TO +125°C
OPERATING	-40°C TO +85°C
COMPENSATED	-18°C TO +63°C
SUPPLY VOLTAGE	7 TO 16 VDC
SUPPLY CURRENT	20mA MAX WITH 10K LOAD
OUTPUT VOLTAGE	PROPORTIONAL TO SUPPLY VOLTAGE OVER ABOVE RECOMMENDED RANGE
SHORT CIRCUIT LIMIT	MAY BE SHORTED INDEFINITELY
OUTPUT RIPPLE	NONE
GROUND REFERENCE	SUPPLY AND OUTPUT ARE COMMON

**ELECTRICAL PERFORMANCE AT 25°C AND 8.00±.01 VDC SUPPLY**

OUTPUT VOLTAGE	
142PC30D OR G	
NULL (0 PSIG)	1.000±.050 VDC
FULL SCALE (30 PSIG)	6.000VDC TYP P2 > P1
SPAN	5.000±.050 VDC
SENSITIVITY	166.7 mV/PSI TYP
LINEARITY (B.F.S.L.)	.75% SPAN MAX P1 > P2 1.50% SPAN MAX P2 > P1
HYSTERESIS & REPEATABILITY	.15% SPAN TYP
TEMPERATURE ERROR	
+5°C TO +45°C	.50% SPAN TYP
-18°C TO +63°C	1.00% SPAN MAX
-40°C TO +85°C	2.00% SPAN TYP
142PC30A	
NULL (0 PSIA)	1.000 VDC TYP
REFERENCE (2 PSIA)	1.333±.050 VDC
FULL SCALE (30 PSIA)	6.000 VDC TYP P1 > P2
SPAN (2 TO 30 PSIA)	4.667±.050 VDC
SENSITIVITY	166.7 mV/PSI TYP
LINEARITY (B.F.S.L.)	.80% SPAN MAX
HYSTERESIS & REPEATABILITY	.16% SPAN TYP
TEMPERATURE ERROR	
+5°C TO +45°C	.54% SPAN TYP
-18°C TO +63°C	1.07% SPAN MAX
-40°C TO +85°C	2.14% SPAN TYP



- NOTES:  
 1 - INPUT MEDIA:  
 P1 - DRY GASES ONLY: CONNECTION SIDE OF SENSOR  
 P2 - LIMITED ONLY TO THOSE MEDIA THAT WILL NOT ATTACK POLYESTER, SILICON OR SILICONE BASED ADHESIVE  
 2 - TERMINALS ARE PLATED FOR SOLDERING  
 3 - LIMIT SOLDERING TO 315°C MAX FOR 10 SECONDS MAX  
 4 - UNITS ARE OF PLASTIC CONSTRUCTION



METRIC	INCH
0.4	.016
0.25	.010
0.51	.020
1.0	.039
1.5	.04
2.5	.099
3.52	.139
5.00	.197
5.08	.200
6.1	.240
7.1	.280
10.0	.39
12.3	.484
12.6	.496
16.2	.64
17.9	.70
18.5	.73
30.0	1.18
52.40	2.06
59.8	2.35

THIRD ANGLE PROJECTION

SCALE 2 : 1

DO NOT SCALE PRINT

UNLESS OTHERWISE SPECIFIED TOLERANCES ARE

NO PLACE	(0)	± 1 mm
ONE PLACE	(0.0)	± 0.4 mm
TWO PLACE	(0.00)	± 0.15 mm
ANGLES		±

WEIGHT 31 GRAMS

THIS DRAWING COVERS A PROPRIETARY ITEM AND IS THE PROPERTY OF MICRO SWITCH, A DIVISION OF HONEYWELL. THIS DRAWING IS NOT TO BE COPIED OR USED WITHOUT THE APPROVAL OF MICRO SWITCH.

**MICRO SWITCH**  
a Honeywell Division

PRESSURE TRANSDUCER

CATALOG LISTING  
**140PC30 SERIES**  
CHART 1

MASTER REDUCED  
ANSI Y14.5M-1982 APPLIES

DRAWING NUMBER 140PC30 SERIES  
 ISSUE 11  
 PAGE 1 OF 1 CHART 1  
 REPLACES  
 RELEASE NO. PR-9393  
 CHECK  
 19MAY10  
 CHECK  
 17MAY94  
 RASTER DRAWN  
 J A F 17MAY94  
 CHECK  
 17MAY94

REVISIONS

A	00774.36	J A	17 MAY 94
B	009539A	RS	19MAY10
C	0064472	PRS	19MAY10

# Mouser Electronics

Authorized Distributor

Click to View Pricing, Inventory, Delivery & Lifecycle Information:

[Honeywell:](#)

[142PC30A](#) [142PC30D](#)