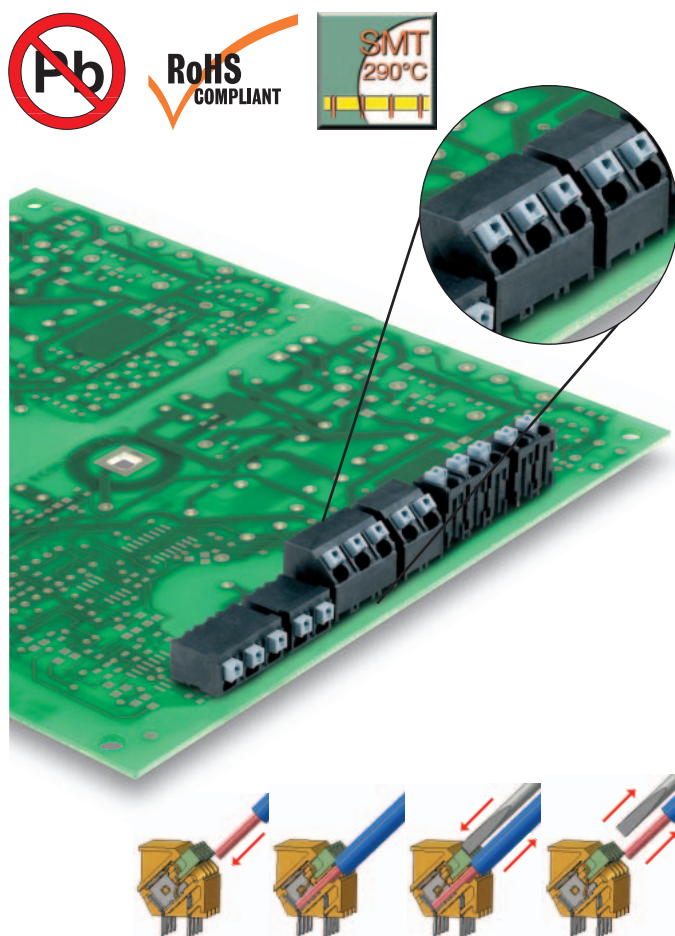


## LSF-SMT 135°

**PCB terminal block for lead-free soldering processes with innovative connection technology: "Push In"**



The "Push In" direct-connection terminal connector system ensures short wiring times: reductions of up to 50 % for the "connect conductor" workstep compared to leaf-spring connector terminals. A spring-action release button in the direction of conductor connection (=TOP System) opens the clamping point for small cross sections such as unprepared, flexible-wire conductors and for changing conductors.

Modern, high-temperature insulating materials (LCP) ensure fulfilment of all requirements for lead-free soldering processes.

Compact design and packaging (tape-on-reel) suitable for automatic machines make possible full-integration into existing SMT lines and thus contribute to additional cost savings in the manufacturing of electronic assemblies.

- Free selection of pitch in the layout: 3.5, 3.81, 5.00, 5.08, 7.50, 7.62mm
- Free selection of the voltage class: 160, 250, 500 Volt in accord. with IEC 664-1
- Free selection of the machining: post length: 3.5mm or 1.5mm (optimised for SMT-/THR-processes)

### United Kingdom

Weidmüller Ltd.  
1 Abbey Wood Road  
Kings Hill  
West Malling  
Kent ME19 4YT  
Phone +44 1732 877000  
Fax +44 1732 873873  
info@weidmuller.co.uk  
www.weidmueller.com

### USA

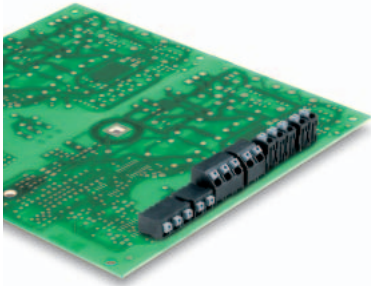
W-Interconnections, Inc.  
821 Southlake Boulevard,  
Richmond, VA 23236  
Phone +1 804 7942877  
Fax +1 804 3792593  
info@weidmuller.com  
www.weidmuller.com

### Other countries

Weidmüller Interface GmbH & Co. KG  
P.O. Box 3030  
32720 Detmold  
Phone +49 5231 14-0  
Fax +49 5231 14-20 83  
info@weidmueller.com  
www.weidmueller.com

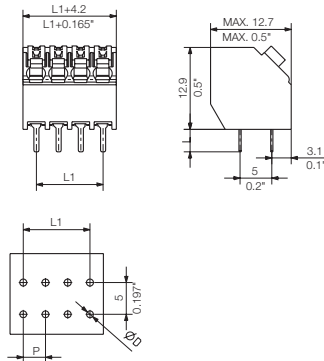
# Spring connection

## LSF-SMT 3.81 LSF-SMT 3.50

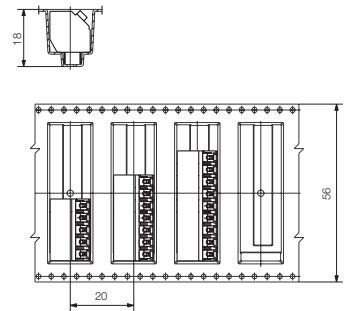


- 0.14 – 1.5mm<sup>2</sup> (IEC) / 24 – 16 AWG (UL)
- 160V (IEC) / 300V (UL)
- 17.5A (IEC) / 10A (UL)

## LSF-SMT 3.81/135 LSF-SMT 3.5/135



## LSF-SMT 3.81/135 Tape LSF-SMT 3.5/135 Tape



### Technical Data

#### Ratings acc. to IEC 60664-1

Max. clamping area	mm <sup>2</sup>	0.14...1.50
Sing. core H05(07) V-U	mm <sup>2</sup>	0.50...1.50
Mult. core H07 V-R	mm <sup>2</sup>	
Flex. wire cond. H05(07) V-K	mm <sup>2</sup>	0.50...1.50
Flex. wire cond. with AEH	mm <sup>2</sup>	0.25...1.50
AEH with plast. collar	mm <sup>2</sup>	0.25...0.75
Stripping length	mm	8.0 + 1.0

#### Rated current

at ambient temperature

	20°C	40°C
Rated current	A	17.5
Overvoltage cat.	III	III II
Soiling level	3	2 2

Rated voltage	V	160	160	320
Rated surge voltage	kV	2.5	2.5	2.5

#### UL 1059 rated data - E60693

	B	C	D
Rated voltage	V	300	300
Rated current	A	12.0	10.0
AWG conductor		26-16	

#### CSA C22.2 rated data - LR12400

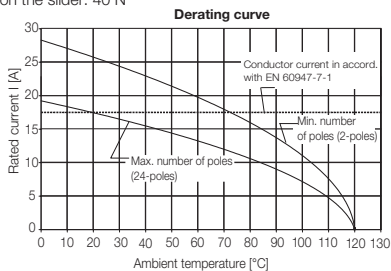
	B	C	D
Rated voltage	V	300	300
Rated current	A	12.0	10.0
AWG conductor		26-16	

#### Material data

Type of insulation	LCP GF
Combustibility class	V-0
Base material of the contact	Cu alloy
Material of the cont. surface	tin-plated

#### Notices

- Rated currents are based on rated cross section and min. num. of pins
- AEH without plastic collar acc. to DIN 46228/1
- The data listed under CSA refer to a cUL-permit - E60693
- Drilled hole dia. D = 1.1 + 0.1mm
- Drawing legend P = pitch
- The maximum operating force to be exerted on the slider: 40 N



LSF-SMT 3.5 (3.81) Conductor H07V-K1.5

### Ordering data

Soldering post length	1.5 mm	3.5 mm
Colour	black	black

#### Pitch 3.81 mm

Pins	L1 mm	(inch)	VPE	Ord. No.	Ord. No.
2	3.81	(0.150)	100	1885410000	1885880000
3	7.62	(0.300)	100	1885420000	1885890000
4	11.43	(0.450)	100	1885430000	1885900000
5	15.24	(0.600)	50	1885440000	1885910000
6	19.05	(0.750)	50	1885450000	1885920000
7	22.86	(0.900)	50	1885460000	1885930000
8	26.67	(1.050)	50	1885470000	1885940000
9	30.48	(1.200)	50	1885480000	1885950000
10	34.29	(1.350)	50	1885490000	1885960000
11	38.10	(1.500)	50	1885510000	1885970000
12	41.91	(1.650)	50	1885520000	1885980000
13	45.72	(1.800)	50	1885530000	1885990000
14	49.53	(1.950)	50	1885540000	1886000000
15	53.34	(2.100)	50	1885550000	1886010000
16	57.15	(2.250)	50	1885560000	1886020000
17	60.96	(2.400)	20	1885570000	1886030000
18	64.77	(2.550)	20	1885580000	1886040000
19	68.58	(2.700)	20	1885590000	1886050000
20	72.39	(2.850)	20	1885600000	1886060000
21	76.20	(3.000)	20	1885610000	1886070000
22	80.01	(3.150)	20	1885620000	1886080000
23	83.82	(3.300)	20	1885630000	1886090000
24	87.63	(3.450)	20	1885640000	1886100000

#### Pitch 3.50 mm

Pins	L1 mm	(inch)	VPE	Ord. No.	Ord. No.
2	3.50	(0.138)	100	1885180000	1885650000
3	7.00	(0.276)	100	1885190000	1885660000
4	10.50	(0.413)	100	1885200000	1885670000
5	14.00	(0.551)	50	1885210000	1885680000
6	17.50	(0.689)	50	1885220000	1885690000
7	21.00	(0.827)	50	1885230000	1885700000
8	24.50	(0.965)	50	1885240000	1885710000
9	28.00	(1.102)	50	1885250000	1885720000
10	31.50	(1.240)	50	1885260000	1885730000
11	35.00	(1.378)	50	1885270000	1885740000
12	38.50	(1.516)	50	1885280000	1885750000
13	42.00	(1.654)	50	1885290000	1885760000
14	45.50	(1.791)	50	1885300000	1885770000
15	49.00	(1.929)	50	1885310000	1885780000
16	52.50	(2.067)	50	1885320000	1885790000
17	56.00	(2.205)	20	1885330000	1885800000
18	59.50	(2.343)	20	1885340000	1885810000
19	63.00	(2.480)	20	1885350000	1885820000
20	66.50	(2.618)	20	1885360000	1885830000
21	70.00	(2.756)	20	1885370000	1885840000
22	73.50	(2.894)	20	1885380000	1885850000
23	77.00	(3.031)	20	1885390000	1885860000
24	80.50	(3.169)	20	1885400000	1885870000

### Ordering data

Soldering post length	1.5 mm	3.5 mm
Colour	black	black

#### Pitch 3.81 mm

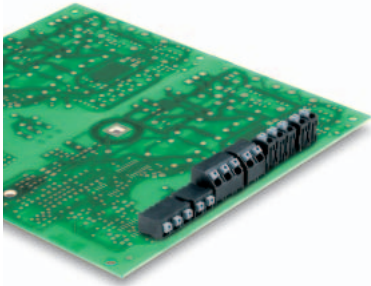
Pins	L1 mm	(inch)	VPE	Ord. No.	Ord. No.
2	3.81	(0.150)	150	1888450000	1888320000
3	7.62	(0.300)	150	1888460000	1888330000
4	11.43	(0.450)	150	1888470000	1888340000
5	15.24	(0.600)	150	1888480000	1888380000
6	19.05	(0.750)	150	1888490000	1888390000
7	22.86	(0.900)	150	1888500000	1888400000
8	26.67	(1.050)	150	1888510000	1888410000
9	30.48	(1.200)	150	1888520000	1888420000
10	34.29	(1.350)	150	1888530000	1888430000
11	38.10	(1.500)	150	1888540000	1888440000

#### Pitch 3.50 mm

Pins	L1 mm	(inch)	VPE	Ord. No.	Ord. No.
2	3.50	(0.138)	150	1887550000	1887340000
3	7.00	(0.276)	150	1887560000	1887350000
4	10.50	(0.413)	150	1887580000	1887360000
5	14.00	(0.551)	150	1887630000	1887460000
6	17.50	(0.689)	150	1887640000	1887470000
7	21.00	(0.827)	150	1887650000	1887480000
8	24.50	(0.965)	150	1887660000	1887490000
9	28.00	(1.102)	150	1887670000	1887500000
10	31.50	(1.240)	150	1887680000	1887510000
11	35.00	(1.378)	150	1887690000	1887520000
12	38.50	(1.516)	150	1887700000	1887530000

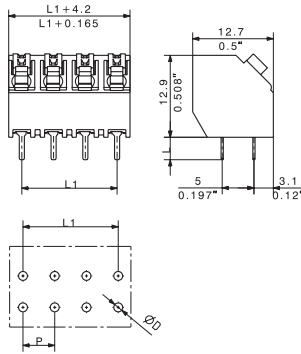
# Spring connection

## LSF-SMT 5.08 LSF-SMT 5.00

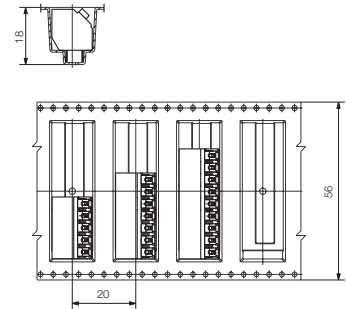


- 0.14 – 1.5mm<sup>2</sup> (IEC) / 24 – 16 AWG (UL)
- 250V (IEC) / 300V (UL)
- 17.5A (IEC) / 10A (UL)

## LSF-SMT 5.08/135 LSF-SMT 5.00/135



## LSF-SMT 5.08/135 Tape LSF-SMT 5.00/135 Tape



### Technical Data

#### Ratings acc. to IEC 60664-1

Max. clamping area	mm <sup>2</sup>	0.14...1.50
Sing. core H05(07) V-U	mm <sup>2</sup>	0.50...1.50
Mult. core H07 V-R	mm <sup>2</sup>	
Flex. wire cond. H05(07) V-K	mm <sup>2</sup>	0.50...1.50
Flex. wire cond. with AEH	mm <sup>2</sup>	0.25...1.50
AEH with plast. collar	mm <sup>2</sup>	0.25...0.75
Stripping length	mm	8.0 + 1.0

#### Rated current

at ambient temperature	A	20°C	40°C
		17.5	17.5

#### Overvoltage cat.

Soiling level		III	III	II
		3	2	2

Rated voltage	V	250	320	500
Rated surge voltage	kV	4.0	4.0	4.0

#### UL 1059 rated data - E60693

		B	C	D
Rated voltage	V	300	300	300
Rated current	A	12.0	10.0	10.0
AWG conductor		26-16		

#### CSA C22.2 rated data - LR12400

		B	C	D
Rated voltage	V	300	50*	300
Rated current	A	12.0	10.0	10.0
AWG conductor		26-16		

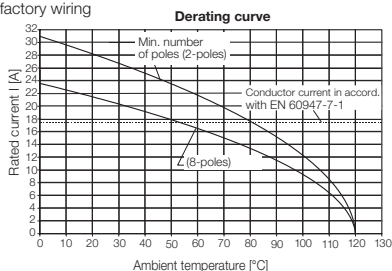
#### Material data

Type of insulation	LCP GF
Combustibility class	V-0
Base material of the contact	Cu alloy
Material of the cont. surface	tin-plated

#### Notices

- Rated currents are based on rated cross section and min. num. of pins
- AEH without plastic collar acc. to DIN 46228/1
- The data listed under CSA refer to a cUL-permit - E60693
- Drilled hole dia. D = 1.1 + 0.1mm
- Drawing legend P = pitch
- The maximum operating force to be exerted on the slider: 40 Ne

#### \* factory wiring



LSF-SMT 5.00 (5.08) Conductor H07V-K1.5

### Ordering data

Soldering post length	1.5 mm	3.5 mm
Colour	black	black

#### Pitch 5.08 mm

Pins	L1 mm	(inch)	VPE	Ord. No.	Ord. No.
2	5.08	(0.200)	100	1884730000	1885020000
3	10.16	(0.400)	100	1884740000	1885030000
4	15.24	(0.600)	100	1884750000	1885040000
5	20.32	(0.800)	50	1884760000	1885050000
6	25.40	(1.000)	50	1884770000	1885060000
7	30.48	(1.200)	50	1884780000	1885070000
8	35.56	(1.400)	50	1884790000	1885080000
9	40.64	(1.600)	50	1884800000	1885090000
10	45.72	(1.800)	50	1884810000	1885100000
11	50.80	(2.000)	50	1884820000	1885110000
12	55.88	(2.200)	50	1884830000	1885120000
13	60.96	(2.400)	50	1884840000	1885130000
14	66.04	(2.600)	50	1884850000	1885140000
15	71.12	(2.800)	50	1884860000	1885150000
16	76.20	(3.000)	50	1884870000	1885160000

#### Pitch 5.00 mm

Pins	L1 mm	(inch)	VPE	Ord. No.	Ord. No.
2	5.00	(0.197)	100	1884530000	1884340000
3	10.00	(0.394)	100	1884540000	1884370000
4	15.00	(0.591)	100	1884550000	1884380000
5	20.00	(0.787)	50	1884560000	1884390000
6	25.00	(0.984)	50	1884570000	1884400000
7	30.00	(1.181)	50	1884580000	1884410000
8	35.00	(1.378)	50	1884590000	1884420000
9	40.00	(1.575)	50	1884600000	1884430000
10	45.00	(1.772)	50	1884660000	1884440000
11	50.00	(1.969)	50	1884670000	1884450000
12	55.00	(2.165)	50	1884680000	1884460000
13	60.00	(2.362)	50	1884690000	1884470000
14	65.00	(2.559)	50	1884700000	1884500000
15	70.00	(2.756)	50	1884710000	1884510000
16	75.00	(2.953)	50	1884720000	1884520000

### Ordering data

Soldering post length	1.5 mm	3.5 mm
Colour	black	black

#### Pitch 5.08 mm

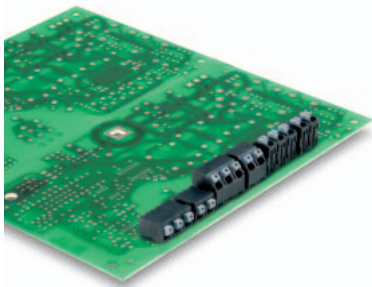
Pins	L1 mm	(inch)	VPE	Ord. No.	Ord. No.
2	5.08	(0.200)	150	1888710000	1888780000
3	10.16	(0.400)	150	1888720000	1888790000
4	15.24	(0.600)	150	1888730000	1888810000
5	20.32	(0.800)	150	1888740000	1888830000
6	25.40	(1.000)	150	1888750000	1888840000
7	30.48	(1.200)	150	1888760000	1888870000
8	35.56	(1.400)	150	1888770000	1888880000

#### Pitch 5.00 mm

Pins	L1 mm	(inch)	VPE	Ord. No.	Ord. No.
2	5.00	(0.197)	150	1888570000	1888640000
3	10.00	(0.394)	150	1888580000	1888650000
4	15.00	(0.591)	150	1888590000	1888660000
5	20.00	(0.787)	150	1888600000	1888670000
6	25.00	(0.984)	150	1888610000	1888680000
7	30.00	(1.181)	150	1888620000	1888690000
8	35.00	(1.378)	150	1888630000	1888700000

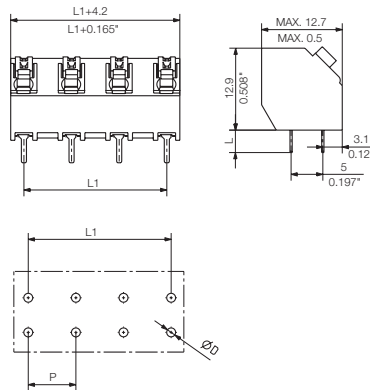
# Spring connection

## LSF-SMT 7.62 LSF-SMT 7.50

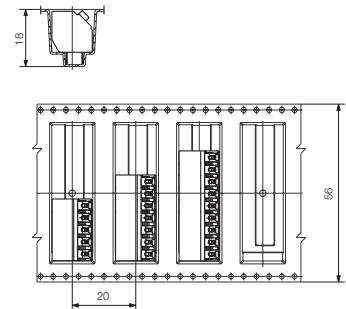


- 0.14 – 1.5mm<sup>2</sup> (IEC) / 24 – 16 AWG (UL)
- 500V (IEC) / 300V (UL)
- 17.5A (IEC) / 10A (UL)

## LSF-SMT 7.62/135 LSF-SMT 7.50/135



## LSF-SMT 7.62/135 Tape LSF-SMT 7.50/135 Tape



### Technical Data

#### Ratings acc. to IEC 60664-1

Max. clamping area	mm <sup>2</sup>	0.14...1.50
Sing. core H05(07) V-U	mm <sup>2</sup>	0.50...1.50
Mult. core H07 V-R	mm <sup>2</sup>	
Flex. wire cond. H05(07) V-K	mm <sup>2</sup>	0.50...1.50
Flex. wire cond. with AEH	mm <sup>2</sup>	0.25...1.50
AEH with plast. collar	mm <sup>2</sup>	0.25...0.75
Stripping length	mm	8.0 + 1.0

#### Rated current

#### at ambient temperature

		20°C	40°C
A		17.5	17.5

#### Overvoltage cat.

		III	III	II
Soiling level		3	2	2

Rated voltage	V	500	630	800
Rated surge voltage	kV	6.0	6.0	6.0

#### UL 1059 rated data - E60693

		B	C	D
Rated voltage	V	300	150	300
Rated current	A	12.0	12.0	10.0
AWG conductor		26-16		

#### CSA C22.2 rated data - LR12400

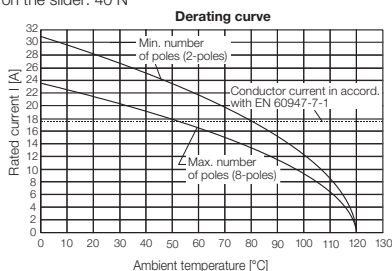
		B	C	D
Rated voltage	V	300	150	300
Rated current	A	12.0	12.0	10.0
AWG conductor		26-16		

#### Material data

Type of insulation	LCP GF
Combustibility class	V-0
Base material of the contact	Cu alloy
Material of the cont. surface	tin-plated

#### Notices

- Rated currents are based on rated cross section and min. num. of pins
- AEH without plastic collar acc. to DIN 46228/1
- The data listed under CSA refer to a cUL-permit - E60693
- Drilled hole dia. D = 1.1 + 0.1mm
- Drawing legend P = pitch
- The maximum operating force to be exerted on the slider: 40 N



LSF-SMT 7.50 (7.62) Conductor H07V-K1.5

### Ordering data

Soldering post length	1.5 mm	3.5 mm
Colour	black	black

#### Pitch 7.62 mm

Pins	L1 mm	(inch)	VPE	Ord. No.	Ord. No.
2	7.62	(0.300)	100	1884950000	1886180000
3	15.24	(0.600)	100	1884960000	1886190000
4	22.86	(0.900)	100	1884970000	1886200000
5	30.48	(1.200)	50	1884980000	1886210000
6	38.10	(1.500)	50	1884990000	1886220000
7	45.72	(1.800)	50	1885000000	1886230000
8	53.34	(2.100)	50	1885010000	1886240000

#### Pitch 7.50 mm

Pins	L1 mm	(inch)	VPE	Ord. No.	Ord. No.
2	7.50	(0.295)	100	1884880000	1886110000
3	15.00	(0.591)	100	1884890000	1886120000
4	22.50	(0.886)	100	1884900000	1886130000
5	30.00	(1.181)	50	1884910000	1886140000
6	37.50	(1.476)	50	1884920000	1886150000
7	45.00	(1.772)	50	1884930000	1886160000
8	52.50	(2.067)	50	1884940000	1886170000

### Ordering data

Soldering post length	1.5 mm	3.5 mm
Colour	black	black

#### Pitch 7.62 mm

Pins	L1 mm	(inch)	VPE	Ord. No.	Ord. No.
2	7.62	(0.300)	150	1887110000	1887160000
3	15.24	(0.600)	150	1887120000	1887170000
4	22.86	(0.900)	150	1887130000	1887180000
5	30.48	(1.200)	150	1887140000	1887190000
6	38.10	(1.500)	150	1887150000	1887200000

#### Pitch 7.50 mm

Pins	L1 mm	(inch)	VPE	Ord. No.	Ord. No.
2	7.50	(0.295)	150	1888900000	1888970000
3	15.00	(0.591)	150	1888910000	1888990000
4	22.50	(0.886)	150	1888930000	1889000000
5	30.00	(1.181)	150	1888940000	1889020000
6	37.50	(1.476)	150	1888950000	1889030000