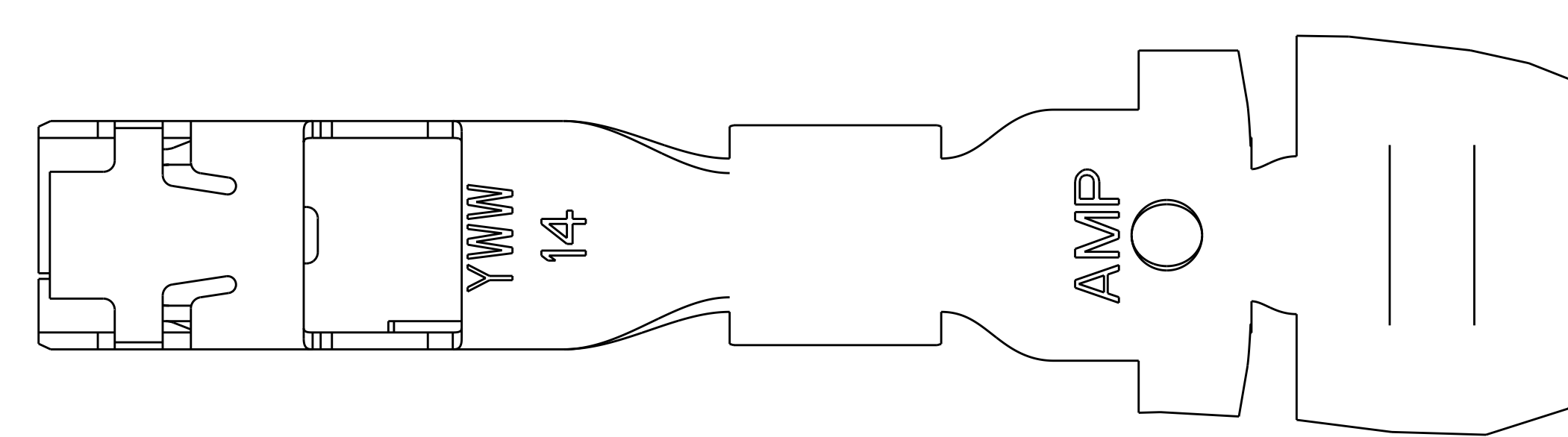
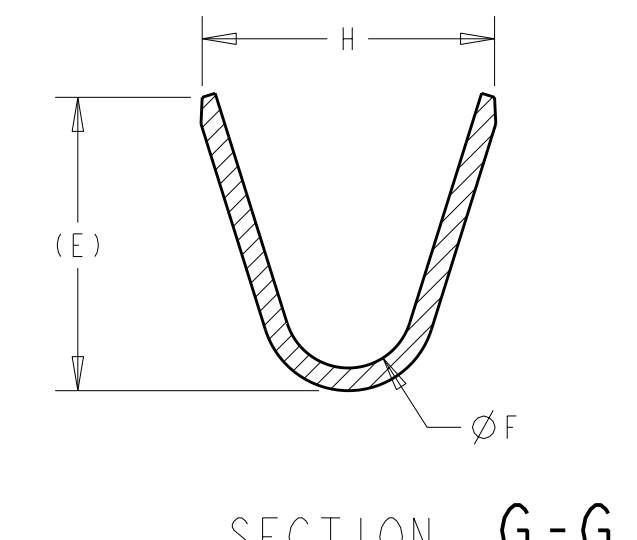
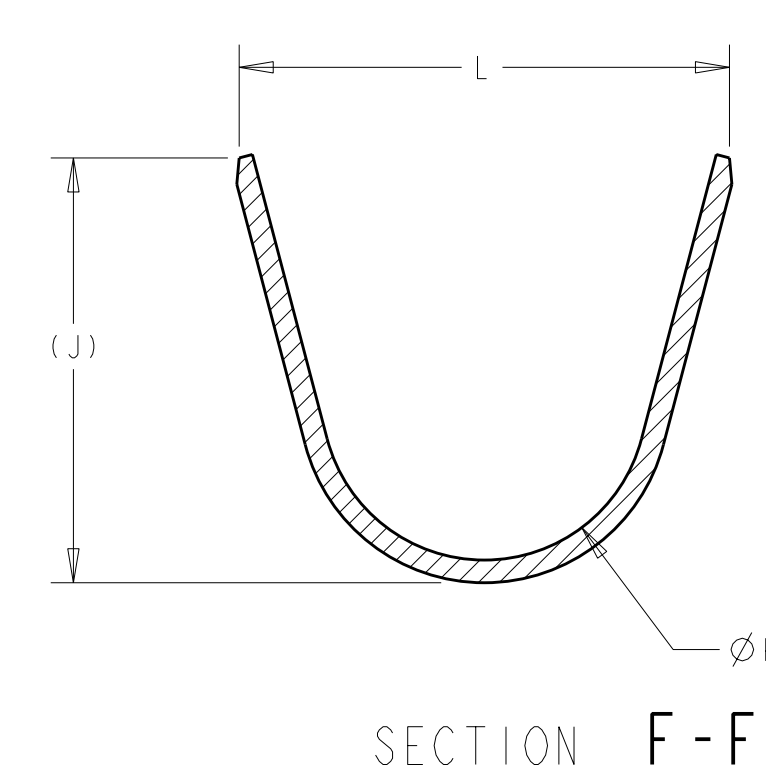
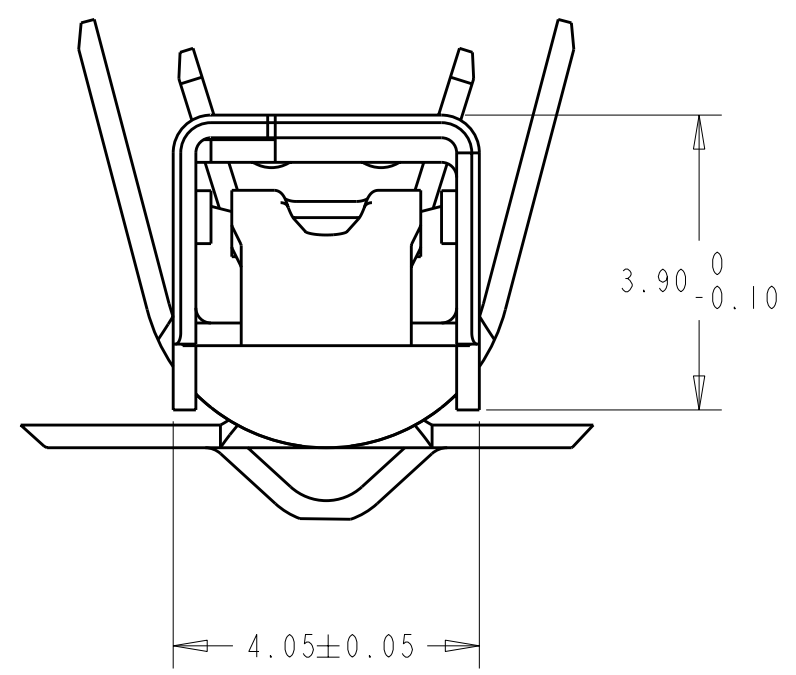
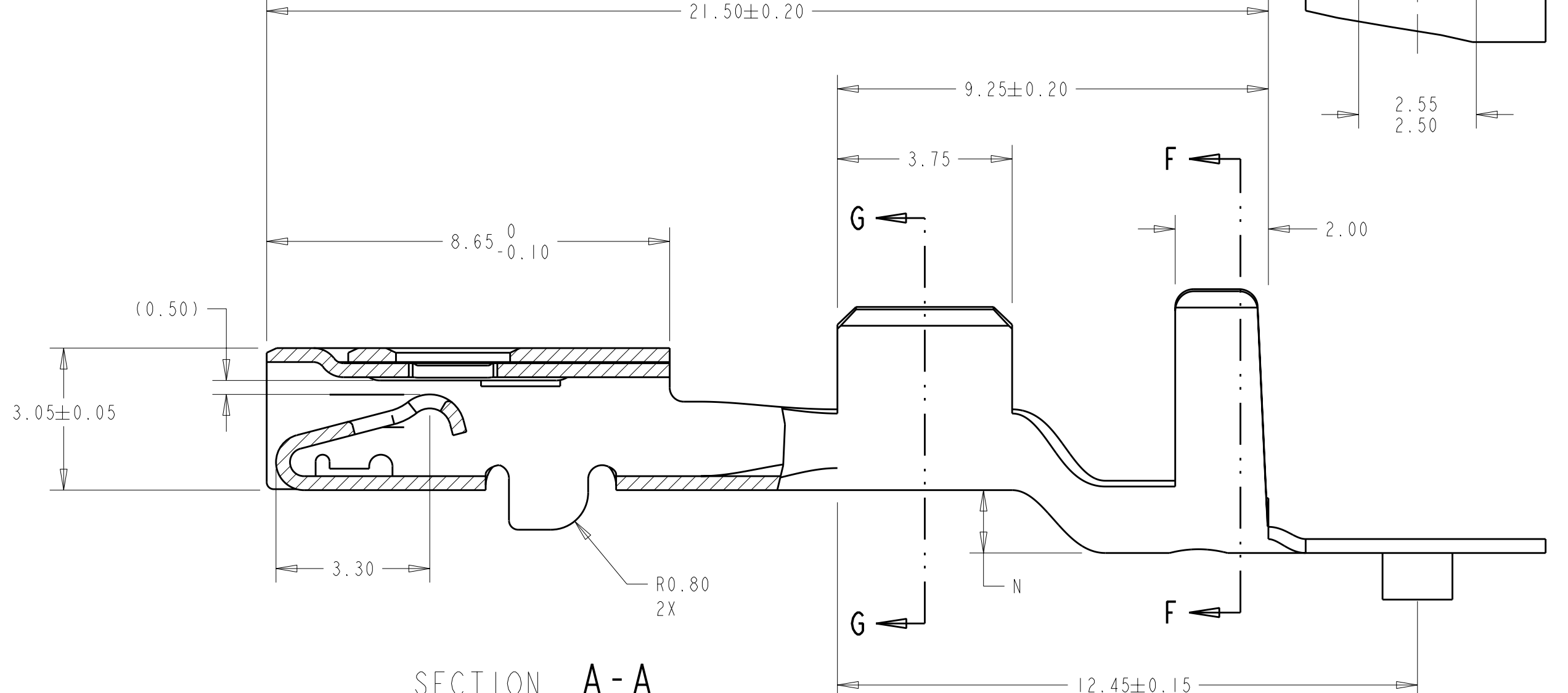
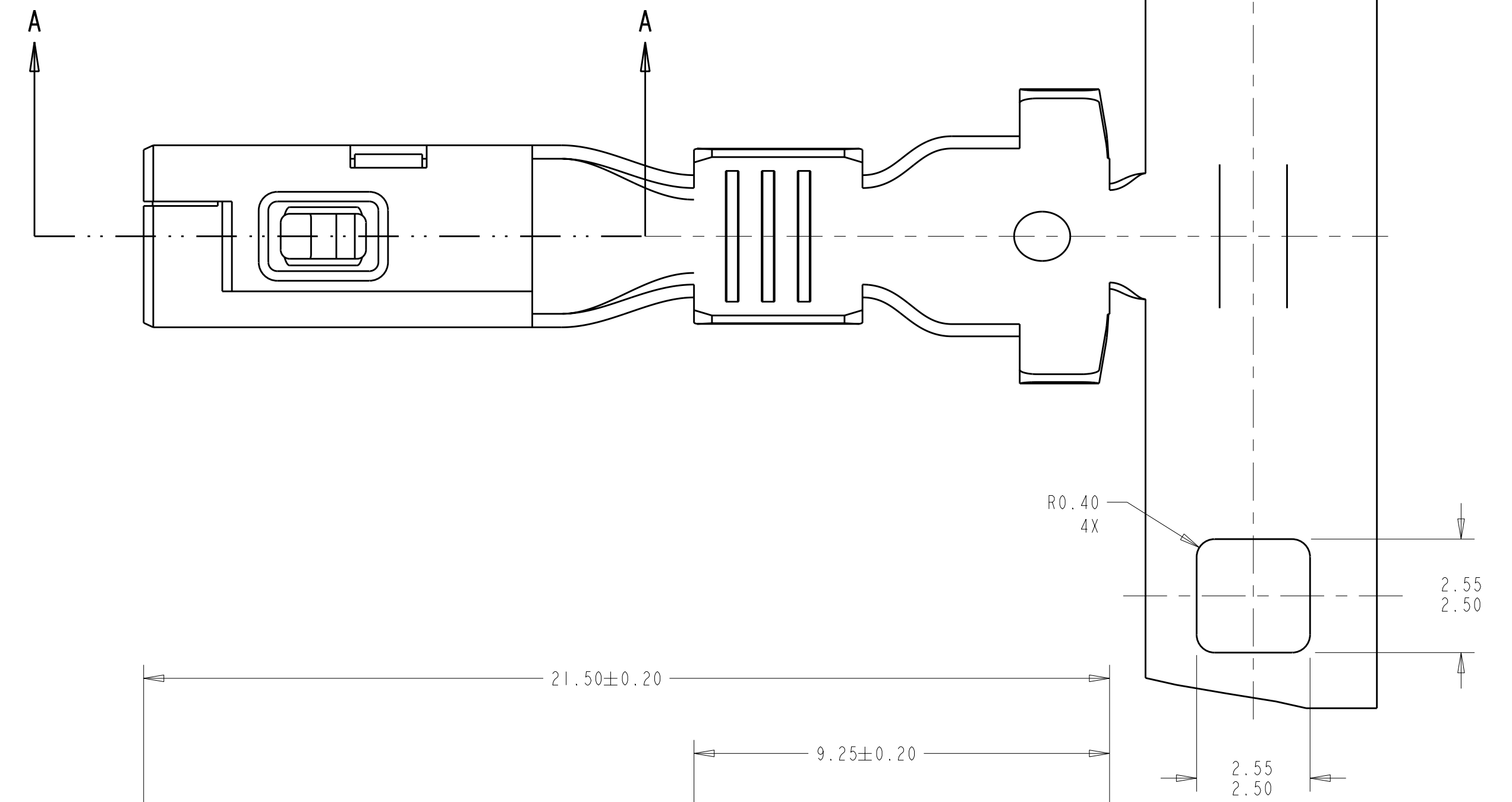
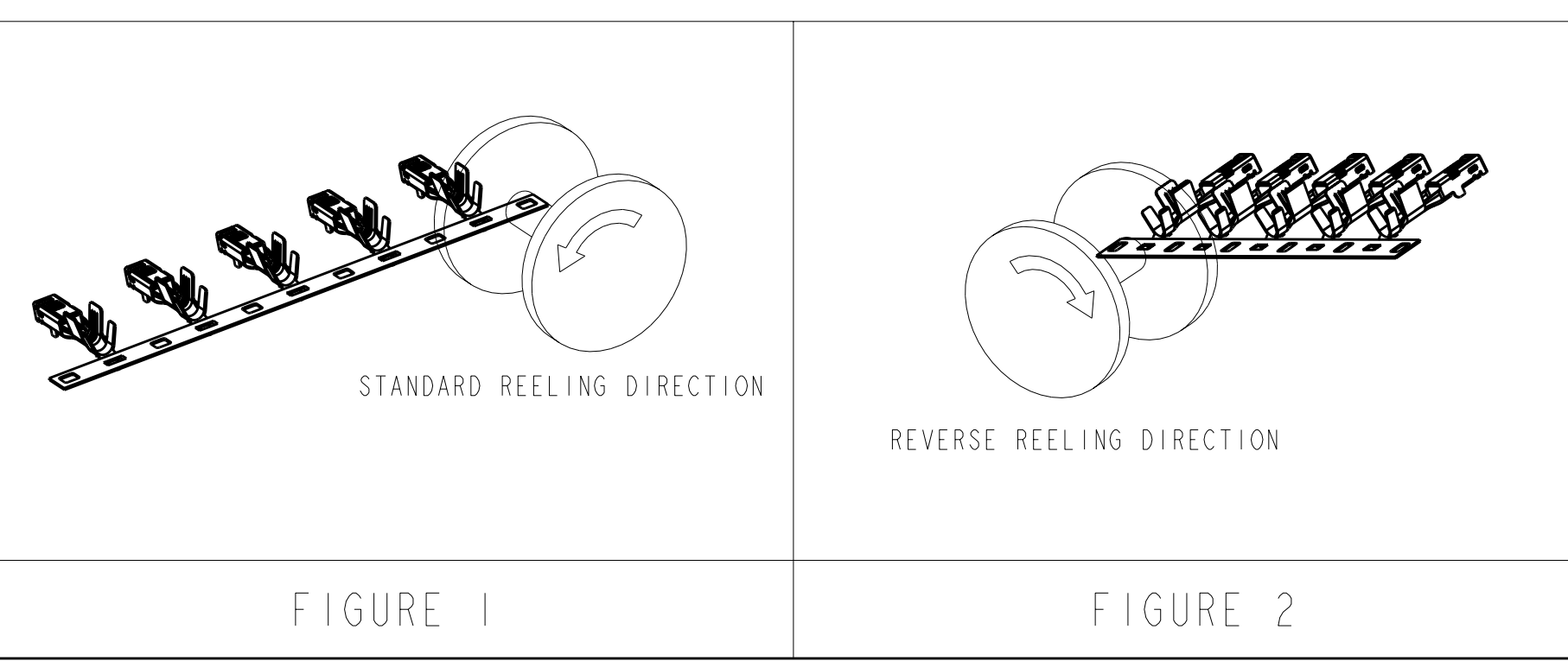


LOC	DIST	REVISIONS			
GE	00	REV	DATE	BY	APPD
		A	16NOV2009	DLD	SLM



STATUS	LUBRICANT	REELING	N	L	ØK	J	H	ØF	E	WIRE SIZE	PART NUMBER
NOT RELEASED										12 AWG	1-776546-2
RELEASED										14 AWG	776546-5 REELED FOR AMP APPLICATORS
NOT RELEASED										16 AWG	1-776546-0
NOT RELEASED										18 AWG	776546-9
NOT RELEASED										20 AWG	776546-8
RELEASED										22 AWG	776546-7
NOT RELEASED										12 AWG	776546-6
RELEASED										14 AWG	776546-5
NOT RELEASED										16 AWG	776546-4
NOT RELEASED										18 AWG	776546-3
NOT RELEASED										20 AWG	776546-2
RELEASED										22 AWG	776546-1



DIMENSIONS: mm 	TOLERANCES UNLESS OTHERWISE SPECIFIED: 9 PLC ±.3 1 PLC ±0.10 5 PLC ±.1 4 PLC ±.15 ANGLES ±.4°	DWN D. DRUMMOND 16NOV2009 CHK S. MANKARYOS 16NOV2009 APVD S. MANKARYOS 16NOV2009 PRODUCT SPEC SAE/USCAR-2 8/97 APPLICATION SPEC 114-13013 WEIGHT CUSTOMER DRAWING	Tyco Electronics Harrisburg, PA 17105-3608 NAME 2.8mm RECEPTACLE WITH LUBRICATION, SEALED SIZE CAGE CODE DRAWING NO A1100779 C-776546 SCALE 10:1 SHEET 1 OF 1 REV A
-----------------------	--	---	---

Mouser Electronics

Authorized Distributor

Click to View Pricing, Inventory, Delivery & Lifecycle Information:

[TE Connectivity:](#)

[1-776546-1](#) [776546-1](#) [776546-7](#)