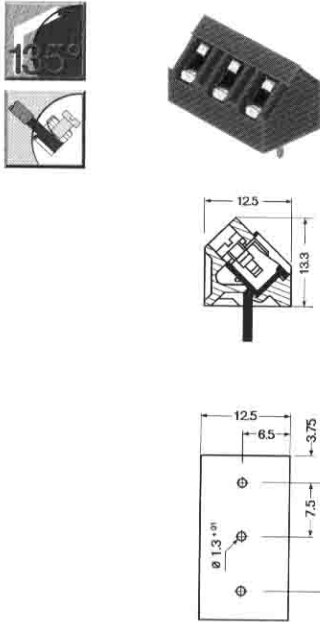


MK 7.50/135



Technical data	VDE	UL	CSA
Rated voltage (V)	250*	300	300
Rated current (A)	16	16	10
Wire size (mm ² /AWG)	1.5	22...12	16

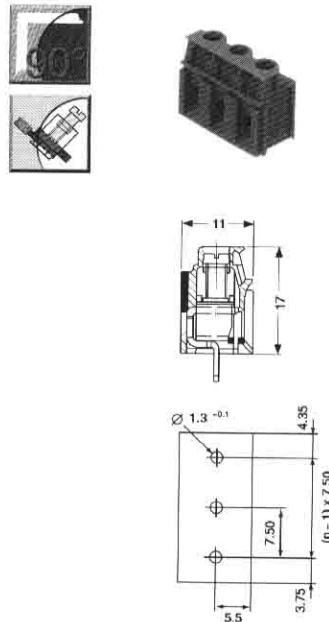
*Pollution severity 3 / Overvoltage category III
Additional technical data see page 51

Solder pin length **5.0 mm**

Color		Part No.	Qty.
Poles	Type		
3	MK 7.5/3/135	0379260000	100

Accessories	Page
Marking	42
Mounting	-
Miscellaneous	45

LP 7.50/90



Technical data	VDE	UL	CSA
Rated voltage (V)	500*	300	300
Rated current (A)	26	15	20
Wire size (mm ² /AWG)	4.0	26...12	26...12

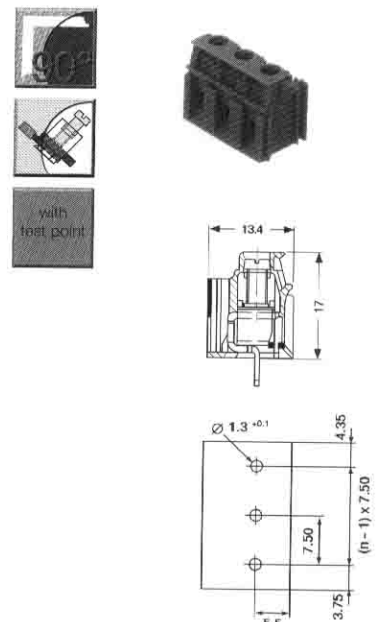
*Pollution severity 3 / Overvoltage category III
Additional technical data see page 59

Solder pin length **4.5 mm** **4.5 mm**

Color		Part No.	Part No.	Qty.
Poles	Type			
2	LP 7.50/2/90	1594620000	1697220000	100
3	LP 7.50/3/90	1594630000	1697230000	100
4	LP 7.50/4/90	995258	995271	
5	LP 7.50/5/90	995259	995272	
6	LP 7.50/6/90	995260	995273	
7	LP 7.50/7/90	995261	995274	
8	LP 7.50/8/90	995262	995275	
9	LP 7.50/9/90	995263	995276	
10	LP 7.50/10/90	995264	995277	
11	LP 7.50/11/90	995265	995278	
12	LP 7.50/12/90	995266	995279	
13	LP 7.50/13/90	995267	995280	
14	LP 7.50/14/90	995268	995281	
15	LP 7.50/15/90	995269	995282	
16	LP 7.50/16/90	995270	995283	

Accessories	Page
Marking	40
Mounting	46
Miscellaneous	46

LPP 7.50/90



Technical data	VDE	UL	CSA
Rated voltage (V)	500*	300	300
Rated current (A)	26	15	20
Wire size (mm ² /AWG)	4.0	26...12	26...12

*Pollution severity 3 / Overvoltage category III
Additional technical data see page 59

Solder pin length **4.5 mm** **4.5 mm**

Color		Part No.	Part No.	Qty.
Poles	Type			
2	LPP 7.50/2/90	1594640000	1697260000	100
3	LPP 7.50/3/90	1594650000	1697270000	100
4	LPP 7.50/4/90	995284	995297	
5	LPP 7.50/5/90	995285	995298	
6	LPP 7.50/6/90	995286	995299	
7	LPP 7.50/7/90	995287	995300	
8	LPP 7.50/8/90	995288	995301	
9	LPP 7.50/9/90	995289	995302	
10	LPP 7.50/10/90	995290	995303	
11	LPP 7.50/11/90	995291	995304	
12	LPP 7.50/12/90	995292	995305	
13	LPP 7.50/13/90	995293	995306	
14	LPP 7.50/14/90	995294	995307	
15	LPP 7.50/15/90	995295	995308	
16	LPP 7.50/16/90	995296	995309	

Accessories	Page
Marking	40
Mounting	46
Miscellaneous	43, 46