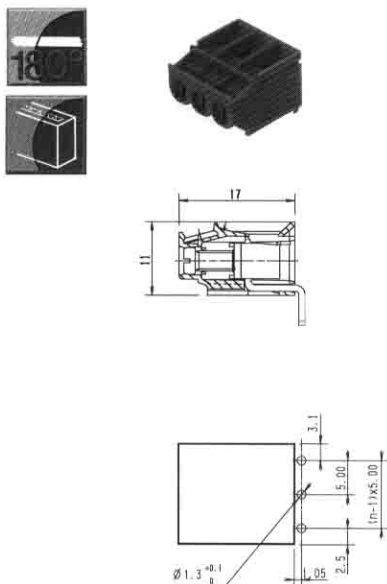




LP 5.00/180



Technical data	VDE	UL	CSA
Rated voltage (V)	250*	300	300
Rated current (A)	25	15	20
Wire size (mm ² /AWG)	4.0	26...12	26...12

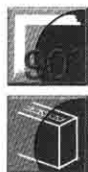
*Pollution severity 3 / Overvoltage category III

Additional technical data see page 58

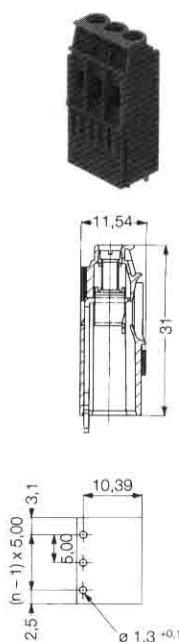
Solder pin length 4.5 mm

Color		Part No.	Qty.
2	LP 5.00/2/180	1761350000	100
3	LP 5.00/3/180	1761360000	100

Accessories	Page
Marking	40
Mounting	46
Miscellaneous	45



LP1N 5.00/90



Technical data	VDE	UL	CSA
Rated voltage (V)	250*	300	300
Rated current (A)	24	15	20
Wire size (mm ² /AWG)	4.0	26...12	26...12

*Pollution severity 3 / Overvoltage category III

Additional technical data see page 58

Solder pin length 4.5 mm 4.5 mm

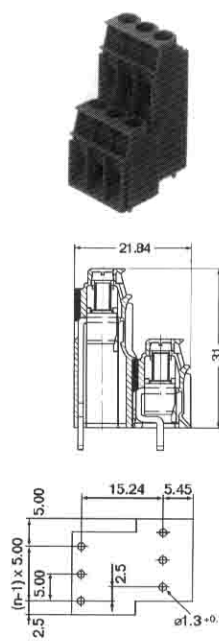
Color		Part No.	Part No.	Qty.
2	LP1N 5.00/2/90	1640890000	1698050000	100
3	LP1N 5.00/3/90	1640900000	1698060000	100

Attention: Customers are advised to ensure support for LP1N on the printed circuit board.

Accessories	Page
Marking	40
Mounting	-
Miscellaneous	45



LP2N 5.00/90



Technical data	VDE	UL	CSA
Rated voltage (V)	250*	300	300
Rated current (A)	24	15	20
Wire size (mm ² /AWG)	4.0	26...12	26...12

*Pollution severity 3 / Overvoltage category III

Additional technical data see page 58

Solder pin length 4.5 mm 4.5 mm

Color		Part No.	Part No.	Qty.
4	LP2N 5.00/4/90	1635170000	1695920000	50
6	LP2N 5.00/6/90	1625570000	1695930000	50
8	LP2N 5.00/8/90	1596440000	-	
10	LP2N 5.00/10/90	1596480000	-	
12	LP2N 5.00/12/90	1632710000	-	
14	LP2N 5.00/14/90	1632720000	-	
16	LP2N 5.00/16/90	1596540000	-	
18	LP2N 5.00/18/90	1632730000	-	
20	LP2N 5.00/20/90	1596580000	-	
22	LP2N 5.00/22/90	1632740000	-	
24	LP2N 5.00/24/90	1596620000	-	
26	LP2N 5.00/26/90	1632750000	-	
28	LP2N 5.00/28/90	1632760000	-	
30	LP2N 5.00/30/90	1596660000	-	
32	LP2N 5.00/32/90	1632770000	-	
34	LP2N 5.00/34/90	1632780000	-	
36	LP2N 5.00/36/90	1632790000	-	
38	LP2N 5.00/38/90	1632800000	-	
40	LP2N 5.00/40/90	1632810000	-	
42	LP2N 5.00/42/90	1632820000	-	
44	LP2N 5.00/44/90	1632830000	-	
46	LP2N 5.00/46/90	1632840000	-	
48	LP2N 5.00/48/90	1632850000	-	

Accessories	Page
Marking	40
Mounting	46
Miscellaneous	45-46