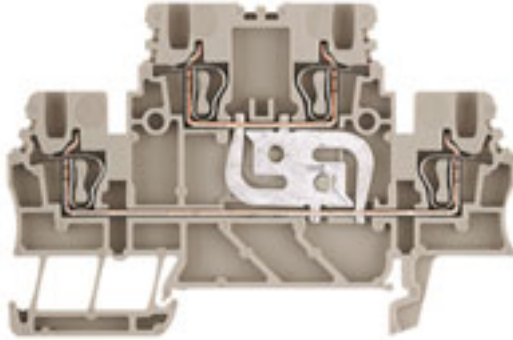


Z terminal with tension spring connection ZDK 1.5V

Weidmüller Interface GmbH & Co. KG
 Klingenbergstraße 16
 D-32758 Detmold
 Germany
 Fon: +49 5231 14-0
 Fax: +49 5231 14-292083
 www.weidmueller.com



Terminal blocks in tension clamp system and the Z Series are specially customised to the customers' requirements. Less space, spacious labelling area, integrated test point, cross-connection functionality within the Z Series and another family of terminals by Weidmüller. Z-Series terminals have a large clamping range and one or two cross-connection slots. Plug-in standard cross-connections enable potentials to be distributed over any number of terminals.

General ordering data

Type	ZDK 1.5V
Order No.	1791130000
Version	Z terminal with tension spring connection, Feed-through terminal, Double-tier terminal, Rated cross-section: 1.5 mm ² , Tension clamp connection, Wemid, Dark Beige, Direct mounting
GTIN (EAN)	4032248239115
Qty.	100 pc(s).

Z terminal with tension spring connection ZDK 1.5V

Weidmüller Interface GmbH & Co. KG
Klingenbergstraße 16
D-32758 Detmold
Germany
Fon: +49 5231 14-0
Fax: +49 5231 14-292083
www.weidmueller.com

Technical data

Dimensions and weights

Length	75.5 mm	Width	3.5 mm
Height	49.5 mm	Height of lowest version	50 mm
Net weight	10.23 g		

Temperatures

Operating temperature		Storage temperature	
Continuous operating temp., min.	-50 °C	Continuous operating temp., max.	120 °C

Additional technical data

Explosion-tested version	No	Installation advice	Direct mounting
Number of similar terminals	1	Open sides	right
Type of mounting		Version	Tension-clamp connection, Vertically cross-connected, for plug-in cross-connector, One end without connector
	Snap-on		

CSA ratings data

Certificate No. (CSA)	154685-1461041	Voltage size C (CSA)	600 V
Current size C (CSA)	10 A	Wire cross section max. (CSA)	16 AWG
Wire cross section min. (CSA)	28 AWG		

Clampable wires (additional connection)

Conductor cross-section, flexible plus plastic collar DIN 46228/1, further connection, min.	0.5 mm ²	Conductor cross-section, flexible plus plastic collar DIN 46228/1, further connection, max.	1.5 mm ²
---	---------------------	---	---------------------

Clampable wires (rated connection)

Type of connection	Tension clamp connection	Stripping length	10 mm
Blade size	0.4 x 2.0 mm	Connection direction	top
Number of connections	4	Clamping range, rated connection, min.	0.05 mm ²
Clamping range, rated connection, max.	1.5 mm ²	Gauge to IEC 60947-1	B1
Wire connection cross section, solid core, max. rated connection	0.5 mm ²	Wire connection cross section, solid core max. rated connection	1.5 mm ²
Wire connection cross section, finely stranded, max.	1.5 mm ²	Wire connection cross-section, finely stranded, min.	0.5 mm ²
Wire connection cross section, finely stranded with wire-end ferrules DIN 46228/1, rated connection, min.	0.5 mm ²	Wire connection cross section, finely stranded with wire-end ferrules DIN 46228/1, rated connection, max.	1.5 mm ²
Cross-section for connected conductor, finely stranded with wire-end ferrules and plastic collars DIN 46228/4, rated connection, min.	0.5 mm ²	Wire connection cross-section, finely stranded with wire-end ferrules and plastic collars DIN 46228/4, rated connection, max.	1.5 mm ²
Twin wire-end ferrules, min.	0.5 mm ²	Twin wire-end ferrules, max.	0.75 mm ²
Wire connection cross section AWG, min.	AWG 28	Wire connection cross section AWG, max.	AWG 16

**Z terminal with tension spring connection
ZDK 1.5V**

Weidmüller Interface GmbH & Co. KG
 Klingenbergstraße 16
 D-32758 Detmold
 Germany
 Fon: +49 5231 14-0
 Fax: +49 5231 14-292083
 www.weidmueller.com

Technical data
Rated data

Rated cross-section	1.5 mm ²	Rated voltage	500 V
Rated impulse withstand voltage	6 kV	Rated current	17.5 A
Current at maximum wires	17.5 A	Standards	IEC 60947-7-1
Pollution severity	3		

UL ratings data

Certificate No. (cURus)	E60693VOL1SEC52	Conductor size Factory wiring max. (cURus)	16 AWG
Conductor size Factory wiring min. (cURus)	28 AWG	Conductor size Field wiring max. (cURus)	16 AWG
Conductor size Field wiring min. (cURus)	28 AWG	Current size B (cURus)	10 A
Current size D (cURus)	10 A	Voltage size B (cURus)	300 V
Voltage size D (cURus)	300 V		

Material data

Insulating material	Wemid	Material	Wemid
Colour	Beige	UL 94 flammability rating	V-0

System specifications

Product family	Z terminal with tension spring connection	Type of connection	Tension clamp connection
Connection direction	top	Number of levels	2
Number of connections	4	No. of clamping points per level	2
Levels cross-connected internally	Yes	End cover plate required	Yes

Classifications

ETIM 3.0	EC000897	UNSPSC	30-21-18-01
eClass 5.1	27-14-11-18	eClass 6.2	27-14-11-20
eClass 7.1	27-14-11-20		

Approvals

Approvals



ROHS Conform