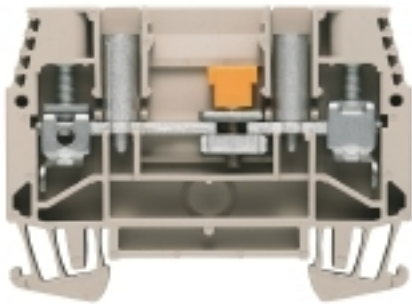


**W-Series
WTL 6/1/STB**

Weidmüller Interface GmbH & Co. KG
Klingenbergstraße 16
D-32758 Detmold
Germany
Fon: +49 5231 14-0
Fax: +49 5231 14-292083
www.weidmueller.com

**Current and voltage transformer wiring**

Our test disconnect terminal blocks featuring spring and screw connection technology allow you to create all the important converter circuits for measuring current, voltage and power in a safe and sophisticated way.

General ordering data

Type	WTL 6/1/STB
Order No.	1016900000
Version	Test-disconnect terminal, Screw connection, 6 mm ² , 630 V, 41 A, sliding, Dark Beige
GTIN (EAN)	4008190029715
Qty.	50 pc(s).

W-Series
WTL 6/1/STB

Weidmüller Interface GmbH & Co. KG
 Klingenbergstraße 16
 D-32758 Detmold
 Germany
 Fon: +49 5231 14-0
 Fax: +49 5231 14-292083
 www.weidmueller.com

Technical data
Dimensions and weights

Width	7.9 mm	Width (inches)	0.311 inch
Height	65 mm	Height (inches)	2.559 inch
Depth	47.5 mm	Depth (inches)	1.87 inch
Depth including DIN rail	48.5 mm	Net weight	23.92 g

Temperatures

Continuous operating temp., min.	-50 °C	Continuous operating temp., max.	120 °C
----------------------------------	--------	----------------------------------	--------

Environmental Product Compliance

REACH SVHC	Lead 7439-92-1
------------	----------------

Material data

Material	Wemid	Colour	Dark Beige
UL 94 flammability rating	V-0		

System specifications

Version	Screw connection, Disconnection element, with sockets, One end without connector	Tightening torque (clamping screw for copper conductors)	1...1.6 Nm
Tightening torque (separating screw)	0.5...0.7 Nm	End cover plate required	Yes
Number of potentials	1	Number of levels	1
No. of clamping points per level	2	Number of potentials per tier	1
Levels cross-connected internally	No	PE connection	No
Mounting rail	TS 35	N-function	No
PE function	No	PEN function	No

Additional technical data

Explosion-tested version	No	Number of similar terminals	1
Open sides	right	Type of mounting	Snap-on

CSA rating data

Certificate No. (CSA)	200039-1057876	Current size C (CSA)	45 A
Voltage size C (CSA)	600 V	Wire cross section max. (CSA)	8 AWG
Wire cross section min. (CSA)	20 AWG		

W-Series
WTL 6/1/STB

Weidmüller Interface GmbH & Co. KG
 Klingenbergstraße 16
 D-32758 Detmold
 Germany
 Fon: +49 5231 14-0
 Fax: +49 5231 14-292083
 www.weidmueller.com

Technical data**Conductors for clamping (rated connection)**

Blade size	0.8 x 4.0 mm	Clamping range, max.	10 mm ²
Clamping range, min.	0.5 mm ²	Clamping screw	M 3.5
Connection cross-section, stranded, max.	10 mm ²	Connection cross-section, stranded, min.	1.5 mm ²
Connection direction	on side	Gauge to IEC 60947-1	A5
Number of connections	2	Stripping length	12 mm
Tightening torque, max.	1.6 Nm	Tightening torque, min.	1 Nm
Torque level with DMS electric screwdriver	3	Type of connection	Screw connection
Wire connection cross section AWG, max.	AWG 8	Wire connection cross section AWG, min.	AWG 20
Wire connection cross section, finely stranded, max.	10 mm ²	Wire connection cross-section, finely stranded with wire-end ferrules DIN 46228/1, max.	6 mm ²
Wire connection cross-section, finely stranded with wire-end ferrules DIN 46228/1, min.	0.5 mm ²	Wire connection cross-section, finely stranded with wire-end ferrules DIN 46228/4, max.	6 mm ²
Wire connection cross-section, finely stranded with wire-end ferrules DIN 46228/4, min.	0.5 mm ²	Wire connection cross-section, finely stranded, min.	0.5 mm ²
Wire connection cross-section, solid core, max.	10 mm ²	Wire connection cross-section, solid core, min.	0.5 mm ²

Dimensions

TS 35 offset	30 mm
--------------	-------

Disconnect terminals

Cross-disconnect	without	Integral test socket	Yes
Slitting	sliding	Torque max. screw separator	0.7 Nm
Torque min. screw separator	0.5 Nm		

Rating data

Rated cross-section	6 mm ²	Rated voltage	630 V
Rated current	41 A	Current at maximum wires	57 A
Volume resistance according to IEC 60947-7-x	0.78 mΩ	Rated impulse withstand voltage	6 kV
Pollution severity	3		

UL rating data

Certificate No. (UR)	E60693	Conductor size Factory wiring max. (UR)	8 AWG
Conductor size Factory wiring min. (UR)	20 AWG	Conductor size Field wiring max. (UR)	8 AWG
Conductor size Field wiring min. (UR)	20 AWG	Current size C (UR)	45 A
Voltage size C (UR)	300 V		

Classifications

ETIM 3.0	EC000902	ETIM 4.0	EC000902
ETIM 5.0	EC000902	ETIM 6.0	EC000902
UNSPSC	30-21-18-11	eClass 5.1	27-14-11-26
eClass 6.2	27-14-11-26	eClass 7.1	27-14-11-26
eClass 8.1	27-14-11-26	eClass 9.0	27-14-11-26
eClass 9.1	27-14-11-26		

Creation date October 17, 2018 6:20:58 AM CEST

Catalogue status 11.10.2018 / We reserve the right to make technical changes.

Data sheet**W-Series
WTL 6/1/STB**

Weidmüller Interface GmbH & Co. KG
Klingenbergstraße 16
D-32758 Detmold
Germany
Fon: +49 5231 14-0
Fax: +49 5231 14-292083
www.weidmueller.com

Technical data**Product information**

Descriptive text ordering data	TS32 version on request
Descriptive text technical data	Use as 500 V disconnect terminal. Wire connection H07V-K10, H07V-R10 and AWG 8/7 with tightening torque of 1.4 Nm.

Approvals

Approvals



ROHS Conform

Downloads

Approval/Certificate/Document of Conformity	DE_PT1004_20160418_993_ISSUE01.pdf
Engineering Data	EPLAN, WSCAD, Zuken E3.S
Engineering Data	STEP

Safety note

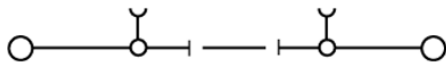
Safety notice	Safety Information
---------------	------------------------------------

Data sheet

W-Series
WTL 6/1/STB

Weidmüller Interface GmbH & Co. KG
Klingenbergstraße 16
D-32758 Detmold
Germany
Fon: +49 5231 14-0
Fax: +49 5231 14-292083
www.weidmueller.com

Drawings



**W-Series
WTL 6/1/STB**

Weidmüller Interface GmbH & Co. KG
 Klingenbergstraße 16
 D-32758 Detmold
 Germany
 Fon: +49 5231 14-0
 Fax: +49 5231 14-292083
 www.weidmueller.com

Accessories
Shorting link

Current and voltage transformer wiring

Our test disconnect terminal blocks featuring spring and screw connection technology allow you to create all the important converter circuits for measuring current, voltage and power in a safe and sophisticated way.

General ordering data

Type	Order No.	Version	GTIN (EAN)	Qty.
QVS 2 SAKT1+2	0307300000	SAK Series, Cross-connector, Cross-connector, No. of poles: 2	4008190036140	20 pc(s).
QVS 3 SAKT1+2	0329300000	SAK Series, Cross-connector, Cross-connector, No. of poles: 3	4008190084714	20 pc(s).

QL / SAK 6N

Klippon® Connect with clamping yoke Technology

The high reliability and variety of designs of the terminal blocks with clamping yoke connections make planning easier and optimises operational safety. Klippon® Connect provides a proven response to a range of different requirements.

General ordering data

Type	Order No.	Version	GTIN (EAN)	Qty.
QL 3 SAK6N	0194400000	SAK Series, Cross-connector, for cross-connection link, No. of poles: 3	4008190063351	50 pc(s).
QL 4 SAK6N	0194500000	SAK Series, Cross-connector, for cross-connection link, No. of poles: 4	4008190025601	50 pc(s).
QL 2 SAK6N	0194300000	SAK Series, Cross-connector, for cross-connection link, No. of poles: 2	4008190182854	50 pc(s).
QL 10 SAK6N	0338300000	SAK Series, Cross-connector, for cross-connection link, No. of poles: 10	4008190176679	20 pc(s).

**W-Series
WTL 6/1/STB**

Weidmüller Interface GmbH & Co. KG
 Klingenbergstraße 16
 D-32758 Detmold
 Germany
 Fon: +49 5231 14-0
 Fax: +49 5231 14-292083
 www.weidmueller.com

Accessories

End plates



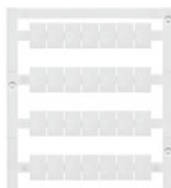
Current and voltage transformer wiring

Our test disconnect terminal blocks featuring spring and screw connection technology allow you to create all the important converter circuits for measuring current, voltage and power in a safe and sophisticated way.

General ordering data

Type	Order No.	Version	GTIN (EAN)	Qty.
WAP WTL6/1	1068300000	W-Series, End plate	4008190088330	20 pc(s).
WTW	1068400000	W-Series, Test adapter	4008190091996	20 pc(s).
WTL6/1 DB				

Blank



WS markers are the perfect match for the W-series connectors. Thanks to their system compatibility, the WS tags can also be used with the I-series and the Z-series. The large marking surfaces do not only permit long character strings but also multi-line text. WS markers are ideal for labels with long, customised character strings. Thanks to the proven MultiCard format, printing with laser printer, PrintJet ADVANCED, plotter or MC-Mobilo is possible.

- Can be fitted in strips or individually
- Markers in proven MultiCard format

For custom printing: Please send us a file of our labeling software M-Print PRO or M-Print PRO Online (without installation) for your labeling specifications.

General ordering data

Type	Order No.	Version	GTIN (EAN)	Qty.
WS 12/8	1906000000	WS, Terminal marker, 12 x	4032248528158	420 pc(s).
PLUS MC NE		8 mm, Pitch in mm (P): 8.00		
WS		Weidmueller, White		

**W-Series
WTL 6/1/STB**

Weidmüller Interface GmbH & Co. KG
Klingenbergstraße 16
D-32758 Detmold
Germany
Fon: +49 5231 14-0
Fax: +49 5231 14-292083
www.weidmueller.com

Accessories

Connection sleeves



VH 12/4.9/3.3 024900

Klippon® Connect with clamping yoke Technology

The high reliability and variety of designs of the terminal blocks with clamping yoke connections make planning easier and optimises operational safety. Klippon® Connect provides a proven response to a range of different requirements.

General ordering data

Type	Order No.	Version	GTIN (EAN)	Qty.
VH 19/6/4.2 SAKT1	0318000000	SAK Series, Connecting sleeve, for cross-connection link, No. of poles: 1	4008190059460	50 pc(s).
VH 12/4.9/3.3 SAK6N	0249000000	SAK Series, Connecting sleeve, for cross-connection link, No. of poles:	4008190129507	100 pc(s).

Insulated sockets



STB 25 IH/6N 027120

Klippon® Connect with clamping yoke Technology

The high reliability and variety of designs of the terminal blocks with clamping yoke connections make planning easier and optimises operational safety. Klippon® Connect provides a proven response to a range of different requirements.

General ordering data

Type	Order No.	Version	GTIN (EAN)	Qty.
STB 35 IH/BL	0388700000	SAK Series, Socket	4008190082383	50 pc(s).
STB 35 IH/GE	0389000000	SAK Series, Socket	4008190396985	50 pc(s).
STB 35 IH/GN	0388900000	SAK Series, Socket	4008190010409	50 pc(s).
STB 35 IH/VI	0389100000	SAK Series, Socket	4008190137755	50 pc(s).

W-Series WTL 6/1/STB

Weidmüller Interface GmbH & Co. KG
 Klingenbergstraße 16
 D-32758 Detmold
 Germany
 Fon: +49 5231 14-0
 Fax: +49 5231 14-292083
 www.weidmueller.com

Accessories

Blank



The Dekafix (DEK) marker is the universal marker for all conductor and plug-in connectors as well as for electronic sub-assemblies. The system is ideal for short number sequences and covers a wide range of ready-printed markers.

Strips for fast installation in only one work step. The printing is easy to read, rich in contrast and available in various widths.

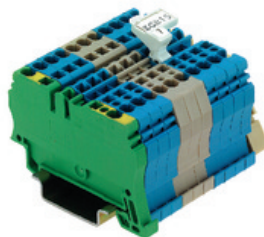
- Large range of ready-to-use markers
- Strips for fast installation
- Terminal markers, suitable for all Weidmüller cable connectors
- Available as blank MultiCard or with standard printing

For custom printing: Please send us a file of our labeling software M-Print PRO or M-Print PRO Online (without installation) for your labeling specifications.

General ordering data

Type	Order No.	Version	GTIN (EAN)	Qty.
DEK 5/8 MC	1856740000	Dekafix, Terminal marker,	4032248400850	800 pc(s).
NE WS		5 x 8 mm, Pitch in mm (P): 8.00 Weidmueller, White		

ZGB pivotable group tag holder



The ZGB 15 is a hinged group tag carrier. The tag carrier can hold the dekafix 5, WS 12/5 terminal markers or the inlay tag ESO 15.

The ZGB 30 is a hinged group tag carrier. The tag carrier can hold the dekafix 5, WS 12/5 terminal markers or the inlay tag ESO 7.

Inlay tags and protective strips can be found under "Accessories".

General ordering data

Type	Order No.	Version	GTIN (EAN)	Qty.
ZGB 30	1611930000	Terminal markers, Terminal marker, 32 x 7 mm, Pitch in mm (P): 5.00 White	4008190002251	120 pc(s).
ZGB 15	1636530000	Terminal markers, Terminal marker, 15 x 7 mm, Pitch in mm (P): 5.00 White	4008190297053	20 pc(s).