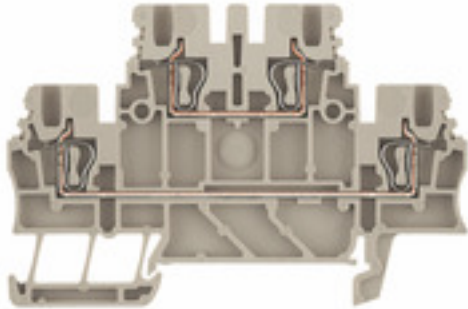


**Z-series  
ZDK 1.5**

**Weidmüller Interface GmbH & Co. KG**  
 Klingenbergstraße 16  
 D-32758 Detmold  
 Germany  
 Fon: +49 5231 1429-0  
 Fax: +49 5231 14292083  
 www.weidmueller.com


**Spring connection with tension clamp Technology**

Tension clamp technology is a universal contact system for all common conductor connection types. Its fantastic level of flexibility makes the tension clamp a profitable alternative connection.

**General ordering data**

Type	ZDK 1.5
Order No.	<a href="#">1791100000</a>
Version	Feed-through terminal, Double-tier terminal, Tension clamp connection, 1.5 mm <sup>2</sup> , 500 V, 17.5 A, Dark Beige
GTIN (EAN)	4032248239078
Qty.	100 pc(s).

**Z-series  
ZDK 1.5**

**Weidmüller Interface GmbH & Co. KG**  
 Klingenbergstraße 16  
 D-32758 Detmold  
 Germany  
 Fon: +49 5231 1429-0  
 Fax: +49 5231 14292083  
 www.weidmueller.com

**Technical data****Dimensions and weights**

Width	3.5 mm	Width (inches)	0.138 inch
Height	75.5 mm	Height (inches)	2.972 inch
Depth	49.5 mm	Depth (inches)	1.949 inch
Depth including DIN rail	50 mm	Net weight	7.81 g

**Temperatures**

Continuous operating temp., min.	-50 °C	Continuous operating temp., max.	120 °C
----------------------------------	--------	----------------------------------	--------

**Material data**

Material	Wemid	Colour	Dark Beige
UL 94 flammability rating	V-0		

**System specifications**

Version	Tension-clamp connection, for plug-in cross-connector, One end without connector	End cover plate required	Yes
Number of levels	2	No. of clamping points per level	2
Levels cross-connected internally	No	PE connection	No
Mounting rail	TS 35		

**Additional technical data**

Explosion-tested version	No	Installation advice	Direct mounting
Number of similar terminals	1	Open sides	right
Type of mounting	Snap-on		

**CSA rating data**

Certificate No. (CSA)	154685-146 1041	Current size C (CSA)	10 A
Voltage size C (CSA)	600 V	Wire cross section max. (CSA)	16 AWG
Wire cross section min. (CSA)	28 AWG		

## Z-series ZDK 1.5

**Weidmüller Interface GmbH & Co. KG**  
 Klingenbergstraße 16  
 D-32758 Detmold  
 Germany  
 Fon: +49 5231 1429-0  
 Fax: +49 5231 14292083  
 www.weidmueller.com

## Technical data

### Conductors for clamping (rated connection)

Blade size	0.4 x 2.0 mm	Clamping range, rated connection, max.	1.5 mm <sup>2</sup>
Clamping range, rated connection, min.	0.05 mm <sup>2</sup>	Connection direction	top
Cross-section for connected conductor, finely stranded with wire-end ferrules and plastic collars DIN 46228/4, rated connection, min.	0.5 mm <sup>2</sup>	Gauge to IEC 60947-1	B1
Number of connections	4	Stripping length	10 mm
Twin wire-end ferrules, max.	0.75 mm <sup>2</sup>	Twin wire-end ferrules, min.	0.5 mm <sup>2</sup>
Type of connection	Tension clamp connection	Wire connection cross section AWG, max.	AWG 16
Wire connection cross section AWG, min.	AWG 28	Wire connection cross section, finely stranded with wire-end ferrules DIN 46228/1, rated connection, max.	1.5 mm <sup>2</sup>
Wire connection cross section, finely stranded with wire-end ferrules DIN 46228/1, rated connection, min.	0.5 mm <sup>2</sup>	Wire connection cross section, finely stranded, max.	1.5 mm <sup>2</sup>
Wire connection cross section, solid core max. rated connection	1.5 mm <sup>2</sup>	Wire connection cross section, solid core, min. rated connection	0.5 mm <sup>2</sup>
Wire connection cross-section, finely stranded with wire-end ferrules and plastic collars DIN 46228/4, rated connection, max.	1.5 mm <sup>2</sup>	Wire connection cross-section, finely stranded, min.	0.5 mm <sup>2</sup>

### Rating data

Rated cross-section	1.5 mm <sup>2</sup>	Rated voltage	500 V
Rated current	17.5 A	Current at maximum wires	17.5 A
Standards	IEC 60947-7-1	Volume resistance according to IEC 60947-7-x	3.66 mΩ
Rated impulse withstand voltage	6 kV	Pollution severity	3

### UL rating data

Certificate No. (cURus)	E60693	Conductor size Factory wiring max. (cURus)	16 AWG
Conductor size Factory wiring min. (cURus)	28 AWG	Conductor size Field wiring max. (cURus)	16 AWG
Conductor size Field wiring min. (cURus)	28 AWG	Current size B (cURus)	10 A
Current size D (cURus)	10 A	Voltage size B (cURus)	300 V
Voltage size D (cURus)	300 V		

### Classifications

ETIM 3.0	EC000897	ETIM 4.0	EC000897
ETIM 5.0	EC000897	ETIM 6.0	EC000897
UNSPSC	30-21-18-01	eClass 5.1	27-14-11-18
eClass 6.2	27-14-11-20	eClass 7.1	27-14-11-20
eClass 8.1	27-14-11-20	eClass 9.0	27-14-11-20
eClass 9.1	27-14-11-20		

### Approvals

Approvals



ROHS Conform

Creation date January 1, 2018 2:25:15 AM CET

**Data sheet****Z-series  
ZDK 1.5****Weidmüller Interface GmbH & Co. KG**  
Klingenbergstraße 16  
D-32758 Detmold  
Germany  
Fon: +49 5231 1429-0  
Fax: +49 5231 14292083  
www.weidmueller.com**Technical data****Downloads**

Approval/Certificate/Document of Conformity	<a href="#">DE_PT1101_20160415_100_ISSUE01.pdf</a>
Brochure/Catalogue	<a href="#">CAT 1 TERM 16/17 EN</a>
Engineering Data	<a href="#">EPLAN, WSCAD, Zuken E3.S</a>

**Safety note**

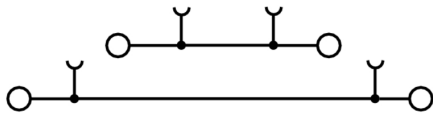
Safety notice	<a href="#">Safety Information</a>
---------------	------------------------------------

**Data sheet**

**Z-series**  
**ZDK 1.5**

**Weidmüller Interface GmbH & Co. KG**  
Klingenbergstraße 16  
D-32758 Detmold  
Germany  
Fon: +49 5231 1429-0  
Fax: +49 5231 14292083  
[www.weidmueller.com](http://www.weidmueller.com)

**Drawings**



**Z-series  
ZDK 1.5**

**Weidmüller Interface GmbH & Co. KG**  
 Klingenbergstraße 16  
 D-32758 Detmold  
 Germany  
 Fon: +49 5231 1429-0  
 Fax: +49 5231 14292083  
 www.weidmueller.com

**Accessories**
**End bracket**

**Klippon® Connect with clamping yoke Technology**

The high reliability and variety of designs of the terminal blocks with clamping yoke connections make planning easier and optimises operational safety. Klippon® Connect provides a proven response to a range of different requirements.

**General ordering data**

Type	Order No.	Version	GTIN (EAN)	Qty.
EW 35	<a href="#">0383560000</a>	Accessories, End bracket	400819018131450	pc(s).
EW 35 GR 7032	<a href="#">0383530000</a>	Accessories, End bracket	400819002732250	pc(s).
EW 35/ SCHA/M3	<a href="#">0258660000</a>	Accessories, End bracket	400819003347720	pc(s).

**Blank**


The Dekafix (DEK) marker is the universal marker for all conductor and plug-in connectors as well as for electronic sub-assemblies. The system is ideal for short number sequences and covers a wide range of ready-printed markers.

Strips for fast installation in only one work step. The printing is easy to read, rich in contrast and available in various widths.

- Large range of ready-to-use markers
- Strips for fast installation
- Terminal markers, suitable for all Weidmüller cable connectors
- Available as blank MultiCard or with standard printing

**General ordering data**

Type	Order No.	Version	GTIN (EAN)	Qty.
DEK 5/3.5 MC NE WS	<a href="#">1755270000</a>	Dekafix, Terminal marker, 5 x 3.5 mm, Pitch in mm (P): 3.50 Weidmueller, White	4032248017348500	pc(s).

## Z-series ZDK 1.5

**Weidmüller Interface GmbH & Co. KG**  
 Klingenbergstraße 16  
 D-32758 Detmold  
 Germany  
 Fon: +49 5231 1429-0  
 Fax: +49 5231 14292083  
 www.weidmueller.com

## Accessories

### End brackets



#### **Klippon® Connect with clamping yoke Technology**

The high reliability and variety of designs of the terminal blocks with clamping yoke connections make planning easier and optimises operational safety. Klippon® Connect provides a proven response to a range of different requirements.

#### General ordering data

Type	Order No.	Version	GTIN (EAN)	Qty.
WEW 35/1	<a href="#">1059000000</a>	W-Series, End bracket	4008190172282	50 pc(s).
WEW 35/2	<a href="#">1061200000</a>	W-Series, End bracket	4008190030230	100 pc(s).

### End brackets



#### **Spring connection with tension clamp Technology**

Tension clamp technology is a universal contact system for all common conductor connection types. Its fantastic level of flexibility makes the tension clamp a profitable alternative connection.

#### General ordering data

Type	Order No.	Version	GTIN (EAN)	Qty.
ZEW 35/2	<a href="#">8630740000</a>	Z-series, End bracket	4032248348916	20 pc(s).
ZEW 35	<a href="#">9540000000</a>	Z-series, End bracket	4008190956264	20 pc(s).

### Test adapter



#### **Spring connection with tension clamp Technology**

Tension clamp technology is a universal contact system for all common conductor connection types. Its fantastic level of flexibility makes the tension clamp a profitable alternative connection.

#### General ordering data

Type	Order No.	Version	GTIN (EAN)	Qty.
ZTA 5/ZA	<a href="#">1776220000</a>	Accessories, Test adapter, 13.5 A	4032248190683	25 pc(s).

**Data sheet**

**Z-series  
ZDK 1.5**

**Weidmüller Interface GmbH & Co. KG**  
 Klingenbergstraße 16  
 D-32758 Detmold  
 Germany  
 Fon: +49 5231 1429-0  
 Fax: +49 5231 14292083  
 www.weidmueller.com

**Accessories**

ZTA 5 [1776210000](#) Accessories, Test adapter, 4032248190676 25 pc(s).  
 13.5 A

**End plates**



**Spring connection with tension clamp Technology**  
 Tension clamp technology is a universal contact system for all common conductor connection types. Its fantastic level of flexibility makes the tension clamp a profitable alternative connection.

**General ordering data**

Type	Order No.	Version	GTIN (EAN)	Qty.
ZAP/TW ZDK 1.5	<a href="#">1791160000</a>	Z-series, End plate, Seperation plate	4032248245260	20 pc(s).
ZAP/TW ZDK 1.5 BL	<a href="#">1791170000</a>	Z-series, End plate, Seperation plate	4032248245277	20 pc(s).

**Covers**



**Spring connection with tension clamp Technology**  
 Tension clamp technology is a universal contact system for all common conductor connection types. Its fantastic level of flexibility makes the tension clamp a profitable alternative connection.

**General ordering data**

Type	Order No.	Version	GTIN (EAN)	Qty.
ZAD 7/4	<a href="#">1781940000</a>	Z-series, Cover	4032248193431	20 pc(s).



## Z-series ZDK 1.5

**Weidmüller Interface GmbH & Co. KG**  
 Klingenbergstraße 16  
 D-32758 Detmold  
 Germany  
 Fon: +49 5231 1429-0  
 Fax: +49 5231 14292083  
 www.weidmueller.com

# Accessories

## Custom printing



The Dekafix (DEK) marker is the universal marker for all conductor and plug-in connectors as well as for electronic sub-assemblies. The system is ideal for short number sequences and covers a wide range of ready-printed markers.

Strips for fast installation in only one work step. The printing is easy to read, rich in contrast and available in various widths.

- Large range of ready-to-use markers
- Strips for fast installation
- Terminal markers, suitable for all Weidmüller cable connectors
- Available as blank MultiCard or with standard printing

## General ordering data

Type	Order No.	Version	GTIN (EAN)	Qty.
DEK 5/3.5 MC SDR	<a href="#">1767730000</a>	Dekafix, Terminal marker, 5 x 3.5 mm, Pitch in mm (P): 3.50 Weidmueller, To customer specification	4032248102532	100 pc(s).

## ZQV 1.5



### Spring connection with tension clamp Technology

Tension clamp technology is a universal contact system for all common conductor connection types. Its fantastic level of flexibility makes the tension clamp a profitable alternative connection.

## General ordering data

Type	Order No.	Version	GTIN (EAN)	Qty.
ZQV 1.5/3	<a href="#">1776130000</a>	Accessories, Cross- connector, 17.5 A	4032248200153	60 pc(s).
ZQV 1.5/10	<a href="#">1776200000</a>	Accessories, Cross- connector, 17.5 A	4032248200177	20 pc(s).
ZQV 1.5/5	<a href="#">1776150000</a>	Accessories, Cross- connector, 17.5 A	4032248236336	20 pc(s).
ZQV 1.5/4	<a href="#">1776140000</a>	Accessories, Cross- connector, 17.5 A	4032248200160	60 pc(s).
ZQV 1.5/2	<a href="#">1776120000</a>	Accessories, Cross- connector, 17.5 A	4032248200139	60 pc(s).

## Z-series ZDK 1.5

**Weidmüller Interface GmbH & Co. KG**  
 Klingenbergstraße 16  
 D-32758 Detmold  
 Germany  
 Fon: +49 5231 1429-0  
 Fax: +49 5231 14292083  
 www.weidmueller.com

## Accessories

### Slotted screwdriver

Slotted screwdriver with rounded blade SD DIN 5265, ISO 2380/2, output to DIN 5264, ISO 2380/1. ChromTop tip, SoftFinish grip



### General ordering data

Type	Order No.	Version	GTIN (EAN)	Qty.
SDS 0.4X2.0X60	<a href="#">9037160000</a>	Screwdriver, Blade width (B): 2 mm, Blade length: 60 mm, Blade thickness (A): 0.4 mm	4032248171613	1 pc(s).

### STR transparent strips



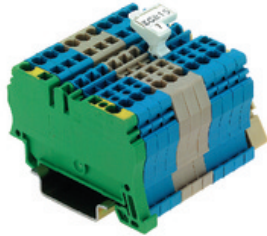
The various terminal markers from Weidmüller enable users to solve virtually every labelling task on all types of lines. Whether several lines of labelling, ready-to-use markers with standard printing, or individual labelling, whether white or coloured markers or common designations at the clamping points, the comprehensive range of products represent the easy, quick and clear answer to every marking task.

### General ordering data

Type	Order No.	Version	GTIN (EAN)	Qty.
STR 7 F.SCHT 7	<a href="#">0515300000</a>	Terminal markers, Protective cap, 27 x 6.3 mm, Transparent	4008190182175	20 pc(s).

**Z-series  
ZDK 1.5**

**Weidmüller Interface GmbH & Co. KG**  
 Klingenbergstraße 16  
 D-32758 Detmold  
 Germany  
 Fon: +49 5231 1429-0  
 Fax: +49 5231 14292083  
 www.weidmueller.com

**Accessories**
**ZGB pivotable group tag holder**


The ZGB 15 is a hinged group tag carrier. The tag carrier can hold the dekafix 5, WS 12/5 terminal markers or the inlay tag ESO 15.

The ZGB 30 is a hinged group tag carrier. The tag carrier can hold the dekafix 5, WS 12/5 terminal markers or the inlay tag ESO 7.

Inlay tags and protective strips can be found under "Accessories".

**General ordering data**

Type	Order No.	Version	GTIN (EAN)	Qty.
ZGB 15	<a href="#">1636530000</a>	Terminal markers, Terminal marker, 15 x 7 mm, Pitch in mm (P): 5.00 White	4008190297053	20 pc(s).
ZGB 30	<a href="#">1611930000</a>	Terminal markers, Terminal marker, 32 x 7 mm, Pitch in mm (P): 5.00 White	4008190002251	20 pc(s).
ZGB 30/3.5	<a href="#">1778290000</a>	Terminal markers, Terminal marker, 32 x 7 mm, Pitch in mm (P): 3.50 White	4032248161065	20 pc(s).

**Blank**


WS markers are the perfect match for the W-series connectors. Thanks to their system compatibility, the WS tags can also be used with the I-series and the Z-series. The large marking surfaces do not only permit long character strings but also multi-line text. WS markers are ideal for labels with long, customised character strings. Thanks to the proven MultiCard format, printing with laser printer, PrintJet ADVANCED, plotter or MC-Mobilo is possible.

- Can be fitted in strips or individually
- Markers in proven MultiCard format

**General ordering data**

Type	Order No.	Version	GTIN (EAN)	Qty.
WS 12/3.5 MC NE WS	<a href="#">1778270000</a>	WS, Terminal marker, 12 x 3.5 mm, Pitch in mm (P): 3.50 Weidmueller, Allen-Bradley, White	4032248161041	600 pc(s).

**Data sheet****Z-series  
ZDK 1.5****Weidmüller Interface GmbH & Co. KG**  
Klingenbergstraße 16  
D-32758 Detmold  
Germany  
Fon: +49 5231 1429-0  
Fax: +49 5231 14292083  
www.weidmueller.com**Accessories****Reduction Sleeves****Spring connection with tension clamp Technology**

Tension clamp technology is a universal contact system for all common conductor connection types. Its fantastic level of flexibility makes the tension clamp a profitable alternative connection.

**General ordering data**

Type	Order No.	Version	GTIN (EAN)	Qty.
ZRH 1.5S/1	<a href="#">1781950000</a>	Accessories, Reducing sleeve	4032248199525	500 pc(s).